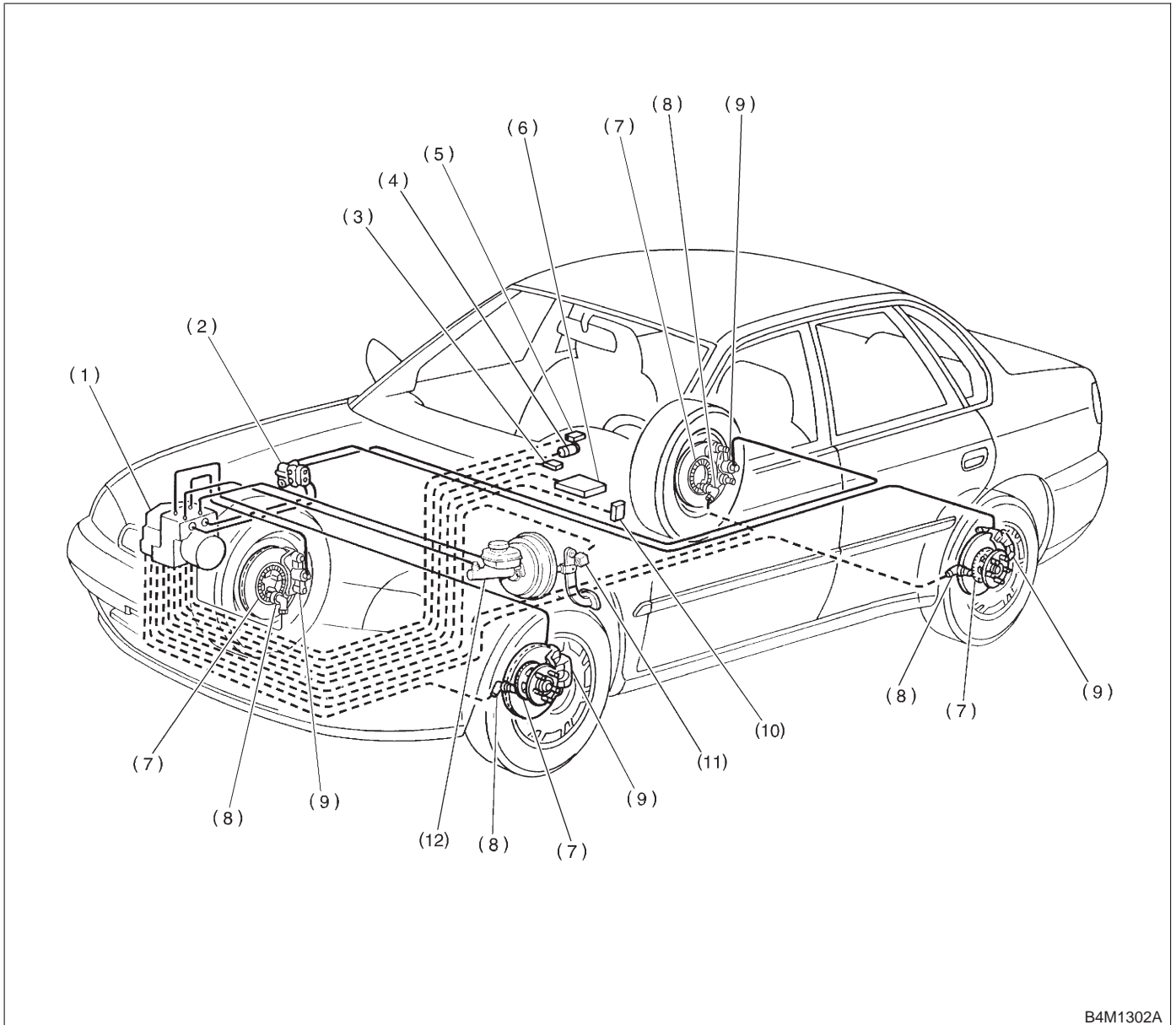


3. Electrical Components Location



B4M1302A

- | | | |
|---|---|----------------------------------|
| (1) ABS control module and hydraulic control unit (ABSCM&H/U) | (5) Data link connector (for Subaru select monitor) | (8) ABS sensor |
| (2) Proportioning valve | (6) Transmission control module (only AT vehicle) | (9) Wheel cylinder |
| (3) Diagnosis connector | (7) Tone wheel | (10) G sensor (only AWD vehicle) |
| (4) ABS warning light | | (11) Brake switch |
| | | (12) Master cylinder |

BRAKES

[T300] 4-4

3. Electrical Components Location

