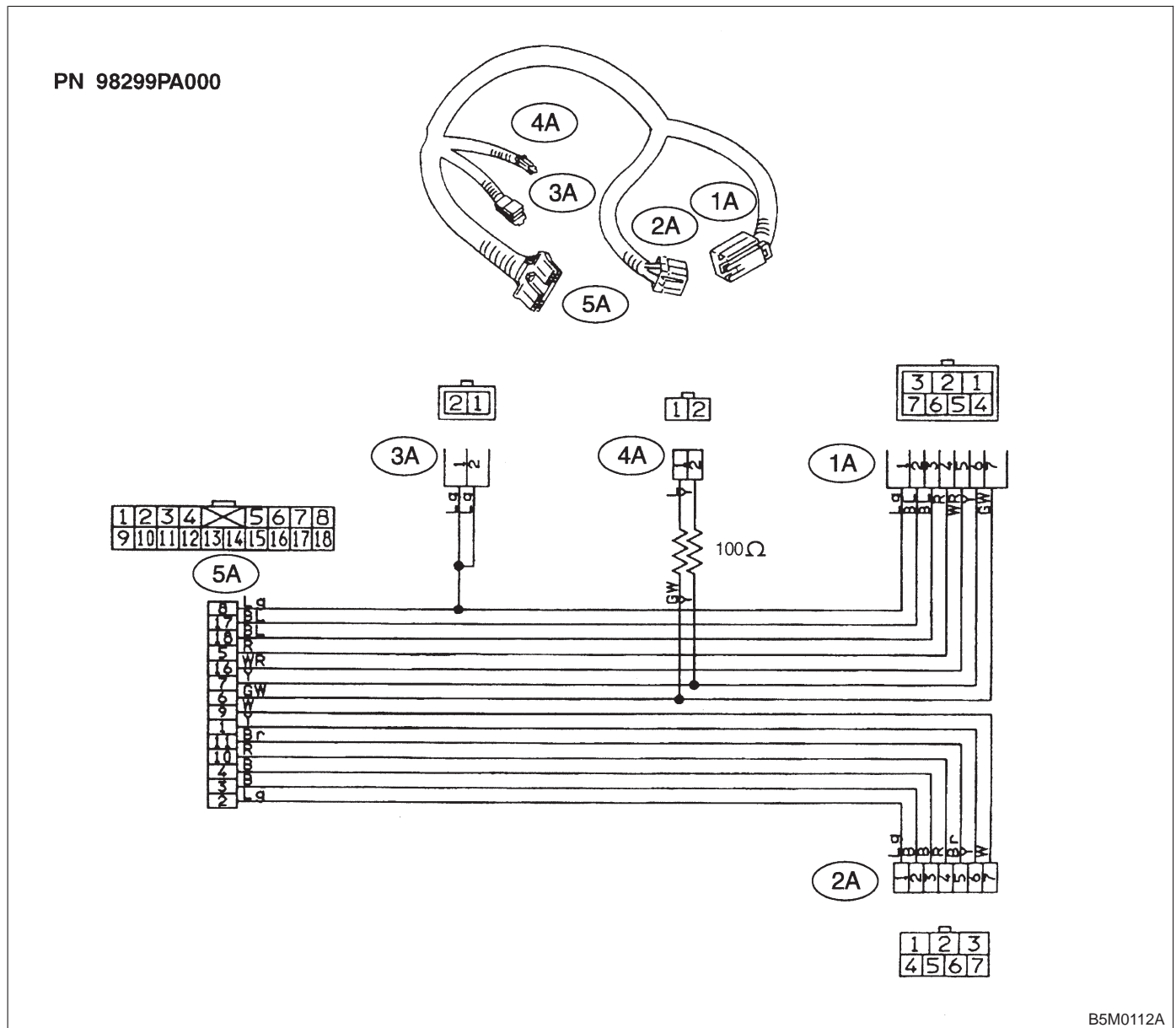


### 3. Tools for Diagnostics

**CAUTION:**

Be sure to use specified test harness A, E, F, G and H when measuring voltage, resistance, etc. of AIRBAG system component parts.

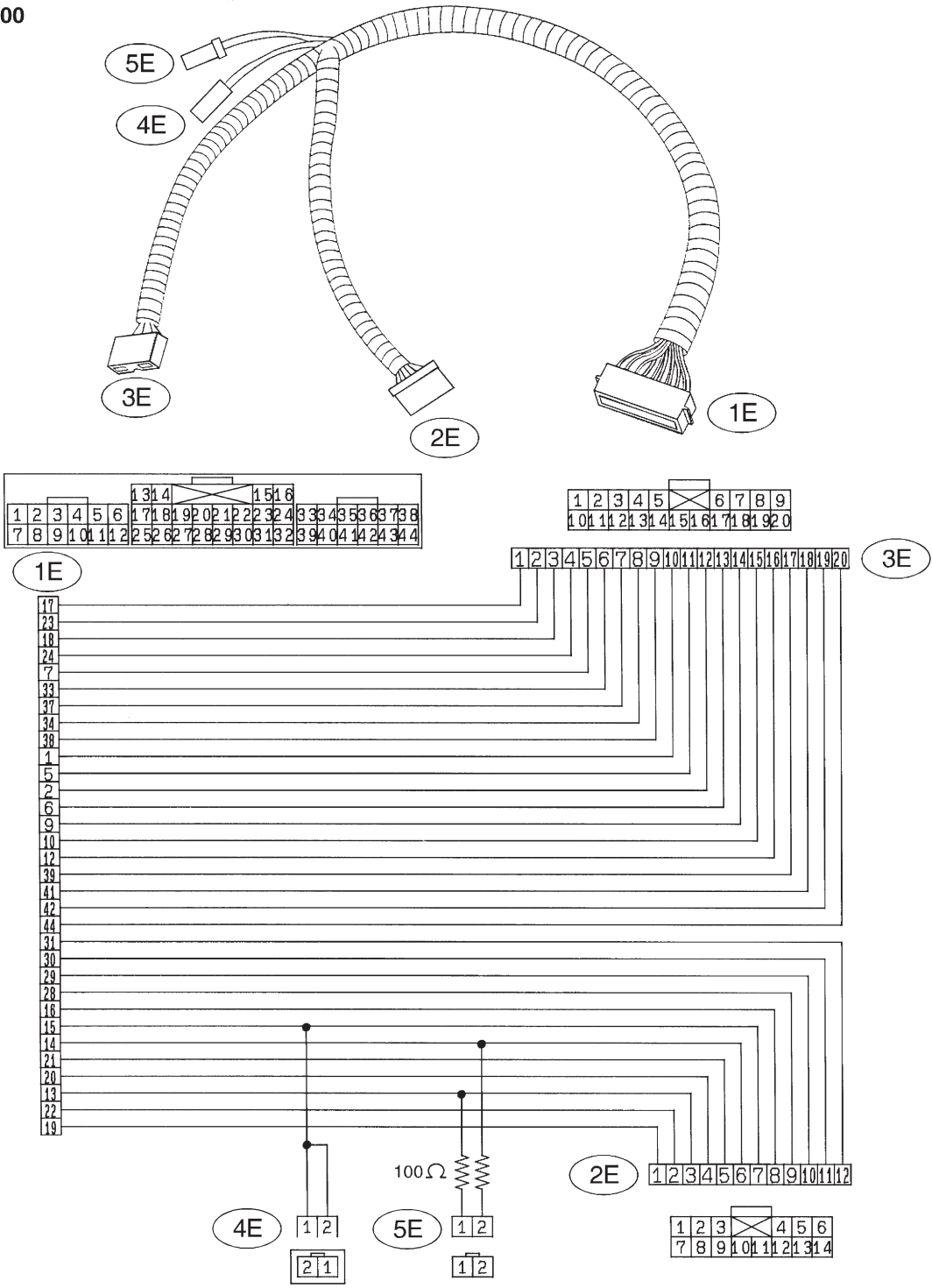
**A: TEST HARNESS A**



B5M0112A

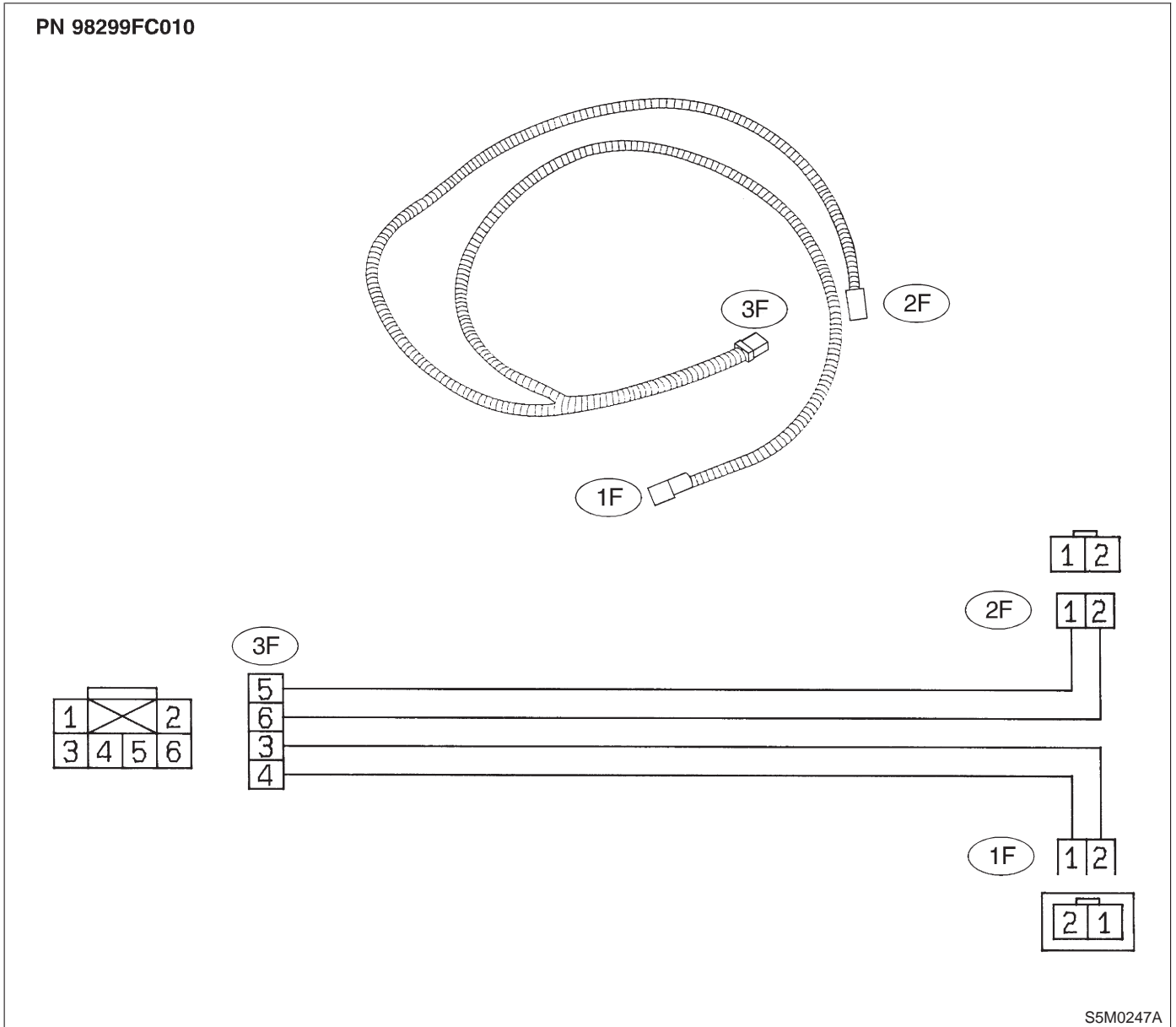
## B: TEST HARNESS E

PN 98299FC000

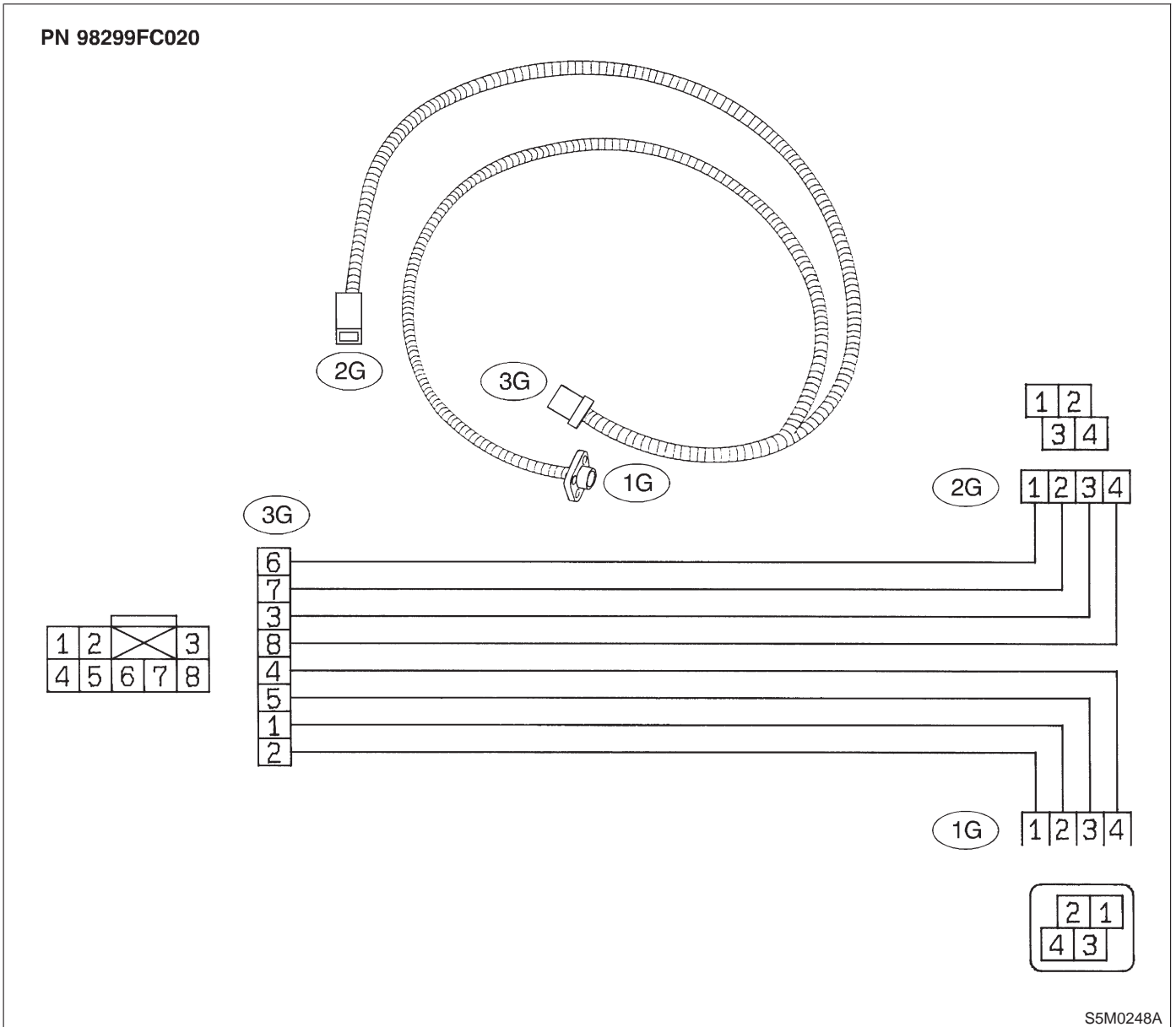


S5M0246A

## C: TEST HARNESS F

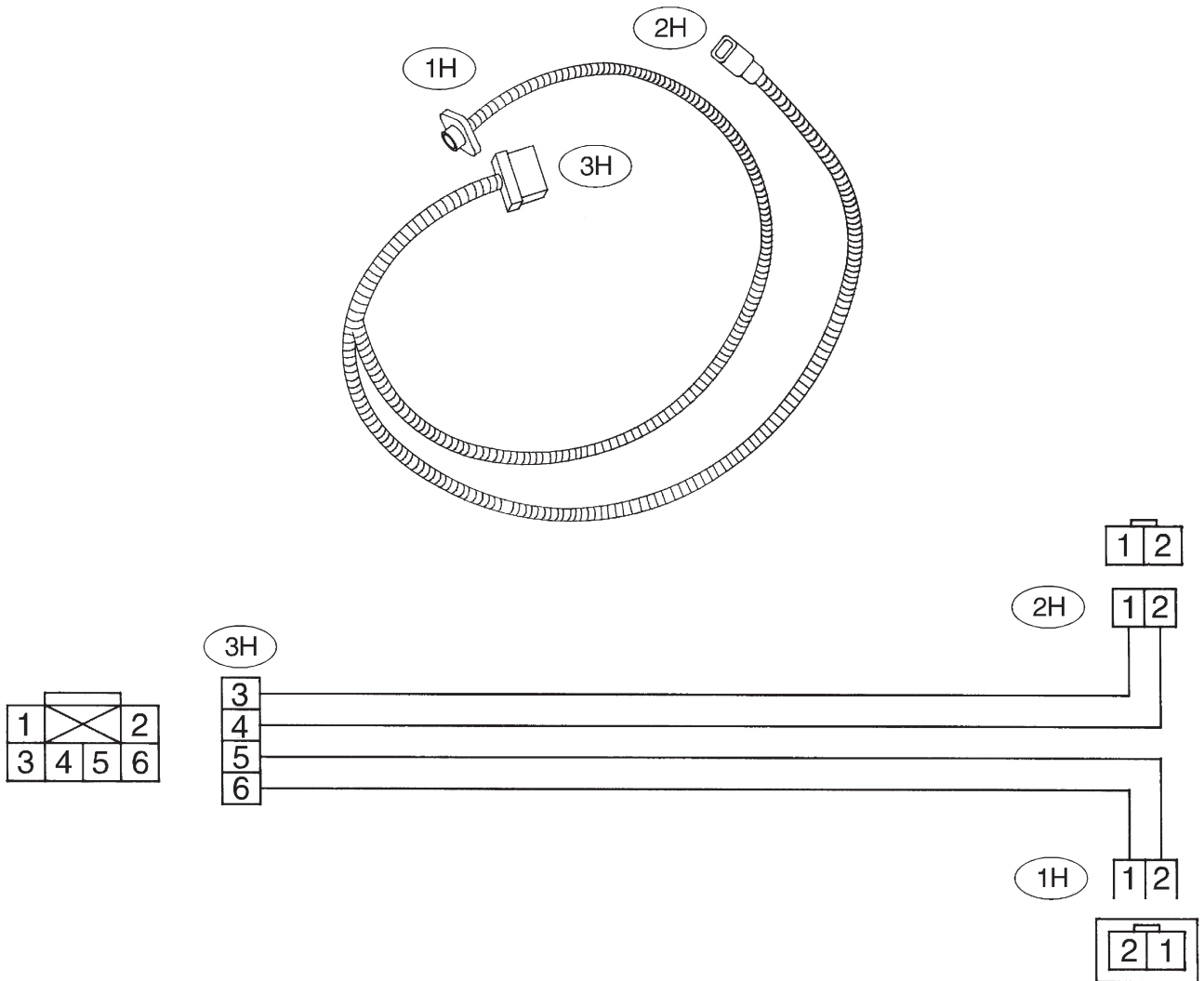


D: TEST HARNESS G



## E: TEST HARNESS H

PN 98299FC030



B5M0553A

**F: AIRBAG RESISTOR**

The airbag resistor is used during diagnostics. The airbag resistor has the same resistance as the airbag module and thus provides safety when used instead of the airbag module. It also makes it possible to finish diagnostics in less time.

