

4. Diagnostics Chart for On-board Diagnostic System

A: BASIC DIAGNOSTICS PROCEDURE

4A1 : CHECK AIRBAG WARNING LIGHT ILLUMINATES.

- 1) Airbag warning light comes ON.
- 2) Turn ignition switch to ON (engine OFF).
- 3) Check airbag warning light illuminates.

CHECK : *Does airbag warning light stay ON after about 7 seconds or remain OFF, or come back ON after 30 seconds?*

YES : Repair and replace. <Ref. to 5-5 [T4D0].>

NO : Go to step **4A2**.

4A2 : CHECK TROUBLE CODE INDICATES.

Perform ON-BOARD DIAGNOSTICS.
<Ref. to 5-5 [T4B0].>

CHECK : *Does trouble code indicate? <Ref. to 5-5 [T5A0].>*

YES : Repair and replace. <Ref. to 5-5 [T5Z0].> Go to step **4A3**.

NO : Repair and replace. <Ref. to 5-5 [T5AA0].> Go to step **4A3**.

4A3 : CHECK AIRBAG WARNING LIGHT ILLUMINATES.

- 1) Turn ignition switch to ON (engine OFF).
- 2) Check airbag warning light illuminates.

CHECK : *Does airbag warning light stay ON after about 7 seconds or come back ON after 30 seconds?*

YES : Repair and replace. <Ref. to 5-5 [T4D0].>

NO : Go to step **4A4**.

4A4 : CHECK AIRBAG WARNING LIGHT ILLUMINATES.

Check airbag warning light illuminates.

CHECK : *Does airbag warning light come ON for about 7 seconds, then go out and stay out?*

YES : Perform clear memory. <Ref. to 5-5 [T4C0].>

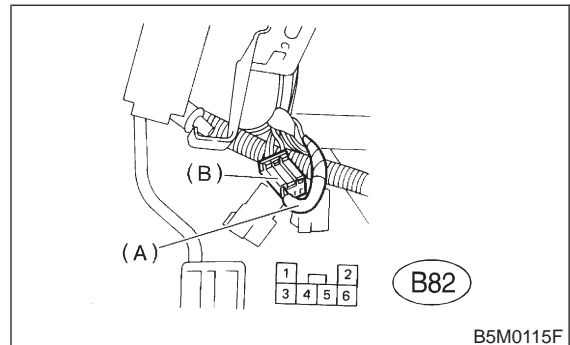
NO : Go to step **4A1**.

B: ON-BOARD DIAGNOSTICS

When the airbag system is in functioning condition, the airbag warning light will remain on for about 7 seconds and go out when the ignition switch is set to ON.

If there is any malfunction, the airbag warning light will either stay on or off continuously. In such cases, perform on-board diagnostic in accordance with the specified procedure to determine trouble codes.

- 1) Turn ignition switch ON (with engine OFF).
- 2) Connect DIAG. terminal (A) to No. 1 terminal of diagnosis connector (B) located below lower cover.



- 3) Check in accordance with the trouble code indicated by the AIRBAG warning light, and record the trouble codes.

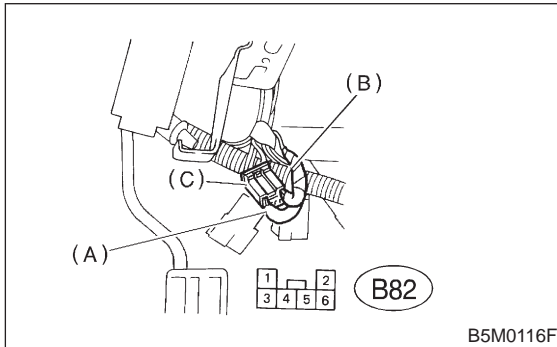
- 4) Turn the ignition switch "OFF" and remove the DIAG. terminal from No.1 terminal of diagnosis connector.

C: CLEAR MEMORY

After eliminating problem as per trouble code, clear memory as follows:

1) Make sure ignition switch is ON (and engine off). Connect one DIAG. terminal "A" (A) on diagnosis connector (C) terminal No. 1.

While warning light is flashing, connect the other DIAG. terminal "B" (B) on terminal No. 2 for at least three seconds.



2) After memory is cleared, normal warning light flashing rate resumes. (Warning light flashes every 0.6 seconds ON-OFF operation.) Memory cannot be cleared if any problem exists.

3) After clear memory and then DIAG. terminals "A" and "B", extract from diagnosis connector.

D: DIAGNOSTICS PROCEDURE

4D1 : CHECK TROUBLE CODE INDICATES.

1) Perform on-board diagnostic. <Ref. to 5-5 [T4B0].>

2) Check trouble code indicates.

CHECK : *Are trouble codes 4, 12, 13, 22, 34, 41, 42, or 43 indicated? <Ref. to 5-5 [T5A2].>*

YES : Go to step 4D2.

NO : Perform diagnostics and repair according to indicated trouble code. <Ref. to 5-5 [T5A0].> Go to step 4D10.

4D2 : CHECK TROUBLE CODE INDICATES.

Check trouble code indicates.

CHECK : *Are trouble codes 4, 22, 34, 42 indicated? <Ref. to 5-5 [T5A2].>*

YES : Go to step 4D3.

NO : Go to step 4D7.

4D3 : CHECK TROUBLE CODE INDICATES.

Check trouble code indicates.

CHECK : *Are trouble codes 12, 13, 41, 43 indicated? <Ref. to 5-5 [T5A2].>*

YES : Go to step 4D4.

NO : Go to step 4D8.

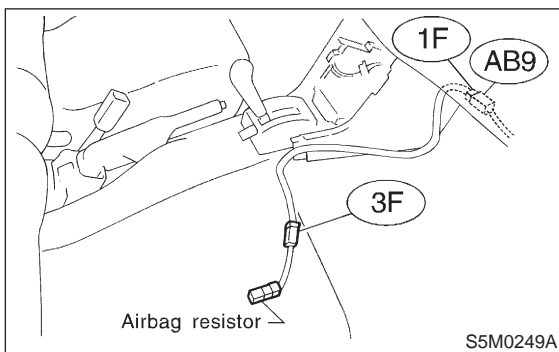
5-5 [T4D4]

SUPPLEMENTAL RESTRAINT SYSTEM

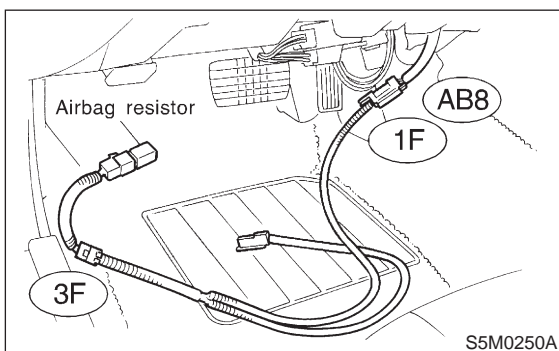
4. Diagnostics Chart for On-board Diagnostic System

4D4 : CHECK AIRBAG WARNING LIGHT ILLUMINATES.

- 1) Turn ignition switch to OFF. Disconnect battery ground cable, and wait 20 seconds.
- 2) Disconnect passenger's airbag module connector (AB9) to (AB10). <Ref. to 5-5 [W3A2].>
- 3) Connect test harness F connector (1F) to (AB9).
- 4) Connect airbag resistor to test harness F connector (3F).



- 5) Remove lower cover panel <Ref. to 5-4 [W1A0].> and connect test harness F connector (1F) to (AB8) with airbag resistor attached to test harness F connector (3F).



- 6) Connect battery ground cable and turn ignition switch to ON.
- 7) Check airbag warning light illuminates.

NOTE:

In some cases the airbag warning light will go OFF after about 7 seconds but will turn ON again within 30 seconds. In this case continue diagnostics with the basic diagnostics procedures or trouble code procedures.

CHECK : **Does airbag warning light go off after about 7 seconds and remain off for more than 30 seconds?**

YES : Go to step 4D5.

NO : Perform diagnostics and repair according to indicated trouble code. <Ref. to 5-5 [T5A0].> Go to step 4D10.

4D5 : CHECK AIRBAG WARNING LIGHT ILLUMINATES.

- 1) Turn ignition switch to OFF. Disconnect battery ground cable, and wait 20 seconds.
- 2) Connect passenger's airbag module connector (AB9) to (AB10).
- 3) Connect battery ground cable and turn ignition switch to ON.
- 4) Check airbag warning light illuminates.

NOTE:

In some cases the airbag warning light will go OFF after about 7 seconds but will turn ON again within 30 seconds. In this case continue diagnostics with the basic diagnostics procedures or trouble code procedures.

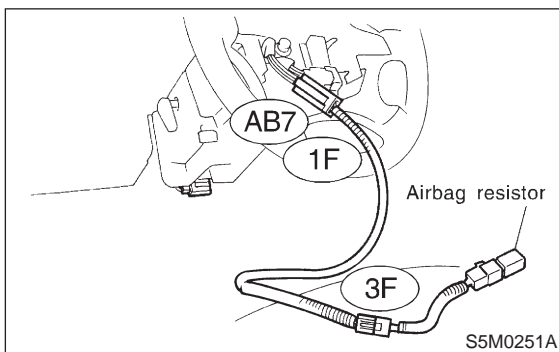
CHECK : **Does airbag warning light go off after about 7 seconds and remain off for more than 30 seconds?**

YES : Go to step 4D6.

NO : Replace with a new passenger's airbag module. <Ref. to 5-5 [W3A2].> Go to step 4D5.

4D6 : CHECK AIRBAG WARNING LIGHT ILLUMINATES.

- 1) Turn ignition switch to "OFF". Disconnect battery ground cable, and wait 20 seconds.
- 2) Connect connector (AB8) to (AB3).
- 3) Remove driver's airbag module and connect test harness F connector (1F) to (AB7). <Ref. to 5-5 [W3A1].>
- 4) Connect airbag resistor to test harness F connector (3F).



- 5) Connect battery ground cable and turn ignition switch to ON.
- 6) Check airbag warning light illuminates.

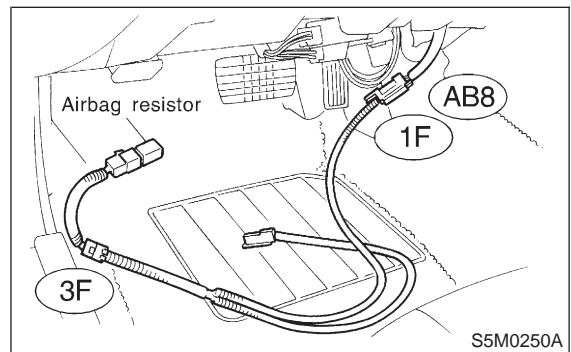
NOTE:

In some cases the airbag warning light will go OFF after about 7 seconds but will turn ON again within 30 seconds. In this case continue diagnostics with the basic diagnostics procedures or trouble code procedures.

- CHECK** : **Does airbag warning light go off after about 7 seconds and remain off for more than 30 seconds?**
- YES** : Replace with a new driver's airbag module. <Ref. to 5-5 [W3A1].> Go to step **4D10**.
- NO** : Replace with a new combination switch. <Ref. to 5-5 [W600].> and install driver's airbag module. <Ref. to 5-5 [W3A1].> Go to step **4D9**.

4D7 : CHECK AIRBAG WARNING LIGHT ILLUMINATES.

- 1) Turn ignition switch to OFF. Disconnect battery ground cable, and wait 20 seconds.
- 2) Remove lower cover panel and connect test harness F connector (1F) to (AB8) <Ref. to 5-4 [W1A0].> with airbag resistor attached to test harness F connector (3F).



- 3) Connect battery ground cable and turn ignition switch to ON.
- 4) Check airbag warning light illuminates.

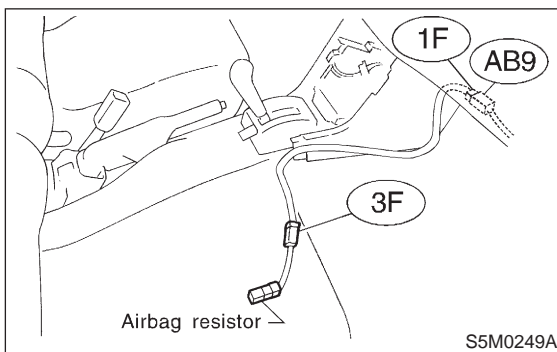
NOTE:

In some cases the airbag warning light will go OFF after about 7 seconds but will turn ON again within 30 seconds. In this case continue diagnostics with the basic diagnostics procedures or trouble code procedures.

- CHECK** : **Does airbag warning light go off after about 7 seconds and remain off for more than 30 seconds?**
- YES** : Go to step **4D6**.
- NO** : Perform diagnostics and repair according to indicated trouble code. <Ref. to 5-5 [T5A0].> Go to step **4D10**.

4D8 : CHECK AIRBAG WARNING LIGHT ILLUMINATES.

- 1) Turn ignition switch to OFF. Disconnect battery ground cable, and wait 20 seconds.
- 2) Disconnect passenger's airbag module connector (AB9) to (AB10). <Ref. to 5-5 [W3A2].>
- 3) Connect test harness F connector (1F) to (AB9).
- 4) Connect airbag resistor to test harness F connector (3F).



- 5) Connect battery ground cable and turn ignition switch to ON.
- 6) Check airbag warning light illuminates.

NOTE:

In some cases the airbag warning light will go OFF after about 7 seconds but will turn ON again within 30 seconds. In this case continue diagnostics with the basic diagnostics procedures or trouble code procedures.

- CHECK** : *Does airbag warning light go off after about 7 seconds and remain off for more than 30 seconds?*
- YES** : Replace with a new passenger's airbag module. <Ref. to 5-5 [W3A2].> Go to step **4D10**.
- NO** : Perform diagnostics and repair according to indicated trouble code. <Ref. to 5-5 [T5A0].> Go to step **4D10**.

4D9 : CHECK AIRBAG WARNING LIGHT ILLUMINATES.

- 1) Connect battery ground cable and turn ignition switch to ON.
- 2) Check airbag warning light illuminates.

NOTE:

In some cases the airbag warning light will go OFF after about 7 seconds but will turn ON again within 30 seconds. In this case continue diagnostics with the basic diagnostics procedures or trouble code procedures.

- CHECK** : *Does airbag warning light go off after about 7 seconds and remain off for more than 30 seconds?*
- YES** : Perform clear memory. <Ref. to 5-5 [T4C0].>
- NO** : Replace with a new driver's airbag module. <Ref. to 5-5 [W3A1].> Go to step **4D10**.

4D10 : CHECK AIRBAG WARNING LIGHT ILLUMINATES.

- 1) Connect battery ground cable and turn ignition switch to ON.
- 2) Check airbag warning light illuminates.

NOTE:

In some cases the airbag warning light will go OFF after about 7 seconds but will turn ON again within 30 seconds. In this case continue diagnostics with the basic diagnostics procedures or trouble code procedures.

- CHECK** : *Does airbag warning light go off after about 7 seconds and remain off for more than 30 seconds?*
- YES** : Perform clear memory. <Ref. to 5-5 [T4C0].>
- NO** : Go to step **4D1**.