

Seat, seatbelt and SRS airbags

Front seats	1-2
Seat heater (if equipped)	1-8
Rear seats	1-9
<i>Armrest (if equipped)</i>	1-10
<i>Folding down the rear seat — Station wagon</i>	1-11
Seatbelts	1-15
<i>Seatbelt safety tips</i>	1-15
<i>Emergency Locking Retractor (ELR) function</i>	1-16
<i>Automatic Locking Retractor (ALR) function</i>	1-17
<i>Seatbelt warning light and chime</i>	1-17
<i>Fastening the seatbelt</i>	1-17
<i>Adjusting the front seat shoulder belt anchor height</i>	1-22
<i>Unfastening the seatbelt</i>	1-23
<i>Front seatbelt pretensioners</i>	1-26
<i>Seatbelt maintenance</i>	1-30
Child restraint systems	1-31
<i>Top strap anchors</i>	1-35
Built-in child restraint (if equipped)	1-38
SRS airbag (Supplemental Restraint System airbag)	1-48
<i>Vehicle with driver's and front passenger's SRS airbags and lap/shoulder restraints</i>	1-48
<i>SRS frontal airbag</i>	1-53
<i>SRS side airbag (if equipped)</i>	1-60
<i>SRS airbag system monitors</i>	1-67
<i>SRS airbag system servicing</i>	1-68
<i>Precautions against vehicle modification</i>	1-69

Front seats

WARNING

- Never adjust the seat while driving to avoid the possibility of loss of vehicle control and of personal injury.
- Never drive the vehicle with the head restraints removed because they are designed to reduce the risk of serious neck injury in the event that the vehicle is struck from the rear.
- Before adjusting the seat, make sure the hands and feet of rear seat passengers are clear of the adjusting mechanism.
- Seatbelts provide maximum restraint when the occupant sits well back and upright in the seat. To reduce the risk of sliding under the seatbelt in a collision, the front seatbacks should be always used in the upright position while the vehicle is running. If the front seatbacks are not used in the upright position in a collision, the risk of sliding under the lap belt and of the lap belt sliding up over the abdomen will increase, and both can result in serious internal injury or death.
- Do not put cushions or any other materials between occupants and seatbacks or seat cushions. If you do so, the risk of sliding under the lap belt and of the lap belt sliding up over the abdomen will increase, and both can result in serious internal injury or death.
- The SRS airbags deploy with considerable speed and force. Occupants who are out of proper position when the SRS airbag deploys could suffer very serious injuries. Because the SRS airbag needs enough space for deployment, the driver should always sit upright and well back in the seat as far from the steering wheel as practical while still maintaining full vehicle control and the front passenger should move the seat as far back as possible and sit upright and well back in the seat.
- Put children aged 12 and under in the rear seat properly restrained at all times. The SRS airbag deploys with considerable speed and force and can injure or even kill children, especially if they are 12 years of age and under and are not restrained or improperly restrained. Because children are lighter and weaker than

adults, their risk of being injured from deployment is greater. For that reason, we strongly recommend that ALL children (including those in child seats and those that have outgrown child restraint devices) sit in the REAR seat properly restrained at all times in a child restraint device or in a seatbelt, whichever is appropriate for the child's age, height and weight.

Secure ALL types of child restraint devices (including forward facing child seat) in the REAR seats at all times.

NEVER INSTALL A REARWARD FACING CHILD SEAT IN THE FRONT SEAT. DOING SO RISKS SERIOUS INJURY OR DEATH TO THE CHILD BY PLACING THE CHILD'S HEAD TOO CLOSE TO THE SRS AIRBAG.

According to accident statistics, children are safer when properly restrained in the rear seating positions than in the front seating positions. For instructions and precautions concerning child restraint systems, see the "Child restraint systems" section in this chapter.

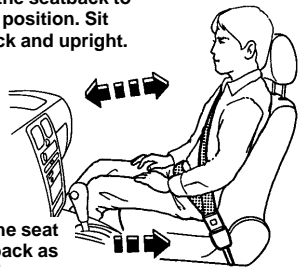
Adjust the seatback to upright position. Sit well back and upright.



Move the seat as far from the steering wheel as practical.

HS0233

Adjust the seatback to upright position. Sit well back and upright.



Move the seat as far back as possible.

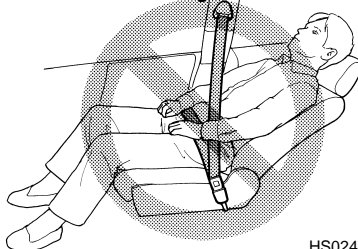
HB0290

Put children in the rearseat properly restrained at all times.



HB0291

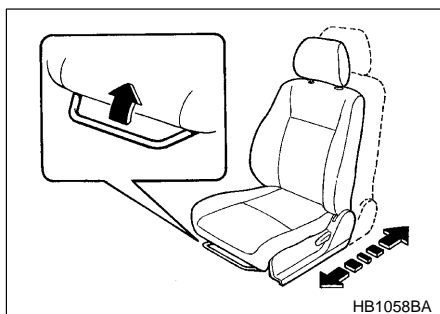
⚠ Do not recline the seatback while vehicle is moving.



HS0247

▼ Fore and aft adjustment

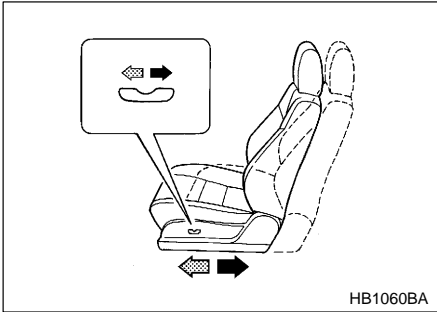
▽ Manual seat



HB1058BA

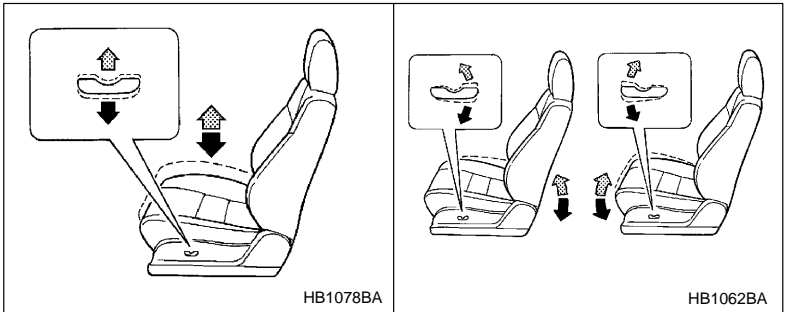
Pull the lever upward and slide the seat to the desired position. Then release the lever and move the seatback and forth to make sure that it is securely locked into place.

▽ Power seat (if equipped)



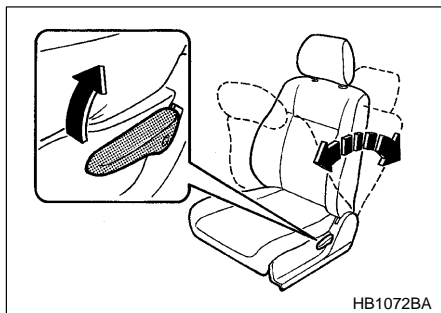
To adjust the seat forward or backward, move the control switch forward or backward.

▼ Seat cushion angle and height adjustment (Power seat only)



To adjust the angle and height of the seat cushion, move the control switch in the corresponding direction.

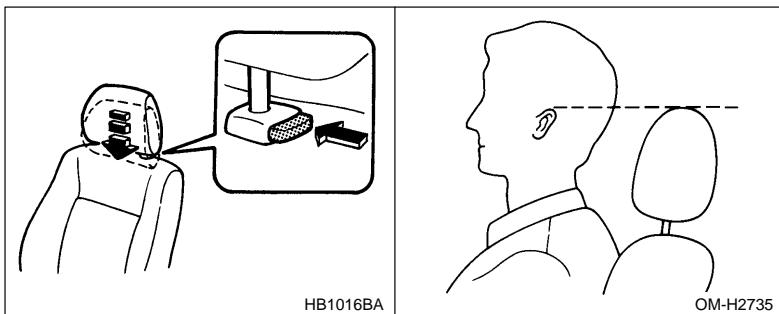
▼ Reclining the seatback



Pull the reclining lever up and adjust the seatback to the desired position. Then release the lever and make sure the seat is securely locked into place.

The seatback placed in a reclined position can spring back upward with force when released. When operating the reclining lever to return the seatback, hold it lightly so that it may be raised back gradually.

▼ Head restraint adjustment



To raise the head restraint, pull it up. To lower it, push the head restraint down while pressing the release button on the top of the seatback.

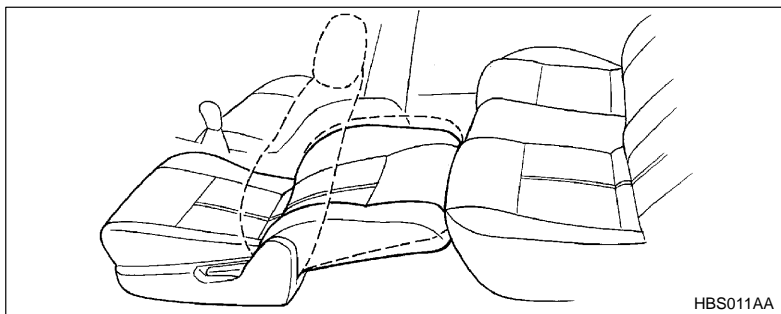
The best position for the head restraint is just above or level with the top of the ears.

NOTE

If the seatback is reclined rearward to the same level as the rear seat cushion with the head restraint removed, a wide flat bed is made available.

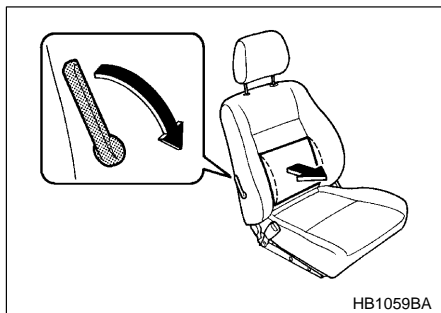
WARNING

- Never drive your car with the seats converted in a flat bed position. If you do so, occupants will have a greater chance of being injured even during simple deceleration, acceleration and cornering since no firm restraint will be available for them.
- Before you lie on the flat bed to take a rest, read the description “Parking your vehicle” in Chapter 7 carefully and follow the instructions.



1. Slide the front seat forward as far as possible.
2. Pull off the head restraint while pressing the release button.
3. Recline the seatback rearward up to the lowest position. Remember to reinstall the head restraint whenever the seatback is raised back.

▼ Lumbar support (if equipped)



Pull the lever forward or backward.

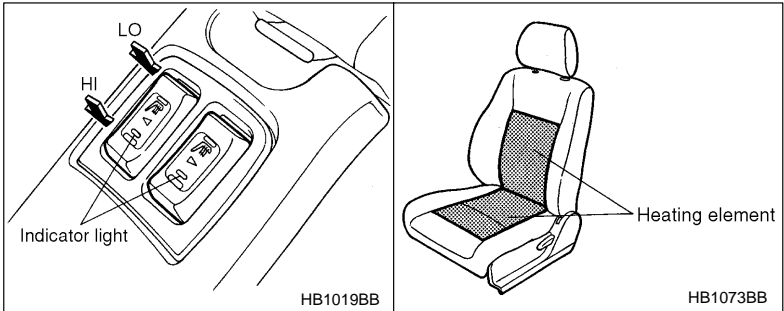
Pulling the lever forward will increase the amount of support for your lower back.

Seat heater (if equipped)

CAUTION

- Use of the seat heater for a long period of time while the engine is not running can cause battery discharge.
- Do not put anything on the seat which insulates against heat, such as a blanket, cushion, or similar items. This may cause the seat heater to overheat.
- When cleaning the seat, do not use benzene, paint thinner, or any similar materials.

The seat heater operates when the ignition switch is either in the "ACC" or "ON" position.



To turn on the seat heater, push the “LO” or “HI” position on the switch, as desired, depending on the temperature.

LO: Normal heating

HI: Rapid heating

The indicator located on the switch comes on when the seat heater is in operation. When the vehicle's interior is warmed enough or before you leave the vehicle, be sure to turn the switch off.

Rear seats

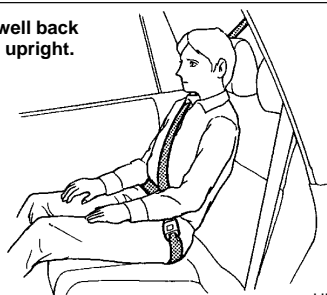


WARNING

- Seatbelts provide maximum restraint when the occupant sits well back and upright in the seat. Do not put cushions or any other materials between occupants and seatbacks or seat cushions. If you do so, the risk of sliding under the lap belt and of the lap belt sliding up over the abdomen will increase, and both can result in serious internal injury or death.
- Never allow passengers to ride on the folded rear seatback, in the cargo area. Doing so may result in serious injury or death.
- Never stack luggage or other cargo higher than the top of the seatback because it could tumble forward and injure passengers in the event of a sudden stop or accident.

- Secure skis and other lengthy items properly to prevent them from being thrown around inside the vehicle and causing serious injury during a sudden stop, a sudden steering or a rapid acceleration.

Sit well back and upright.

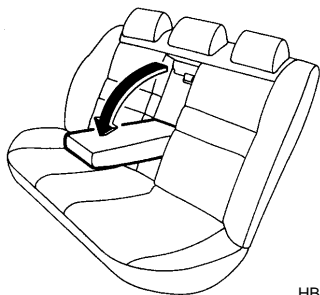


HB0302

■ Armrest (if equipped)

WARNING

To avoid the possibility of serious injury, passengers must never be allowed to sit on the center armrest while the vehicle is in motion.



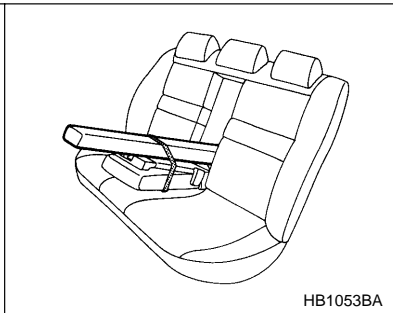
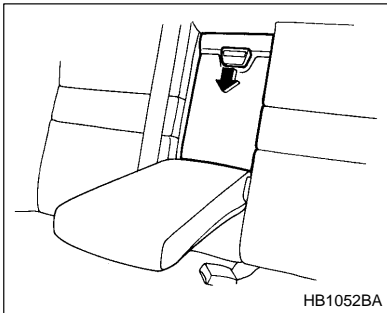
HB1068BA

To lower the armrest, pull on the top edge of the armrest.

▼ Loading long objects

⚠ WARNING

- Secure long objects properly to prevent them from shooting forward and causing serious injury during a sudden stop or sharp cornering. Tie long objects down with a rope or something equivalent.
- Avoid loading objects longer than 6.6 ft (2 m) and heavier than 55 lb (25 kg). Such objects can interfere with the driver's proper operation of the car, possibly causing an accident and serious injury.



Folding down the armrest and opening the seatback panel affords a loading space for long objects.

To open the seatback panel, pull the panel down while pressing the release tab down.

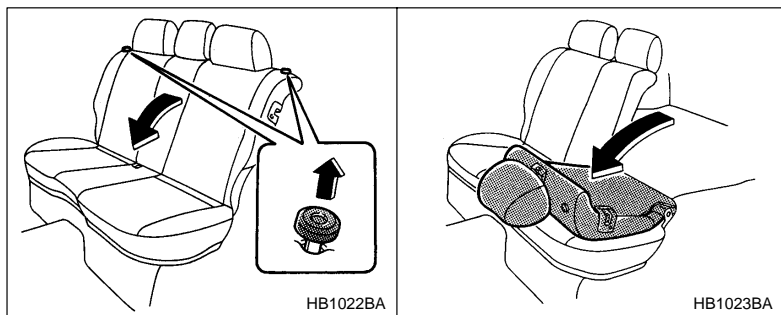
■ Folding down the rear seat — Station wagon

⚠ WARNING

- After returning the rear seat to its original position, be certain to place all of the seatbelts and the tab attached to the seat cushion above the seat cushion. And make certain that the shoulder belts are fully visible.
- Never permit anyone to ride in the cargo area.

– CONTINUED –

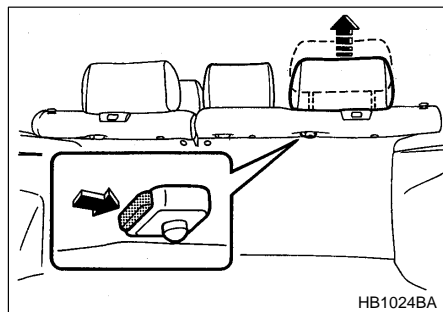
▼ Folding down the seatback



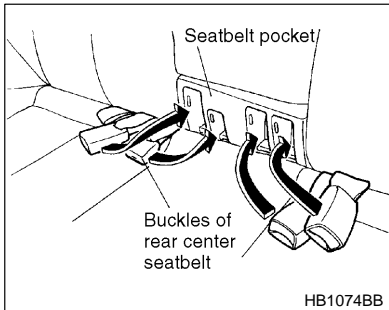
Unlock the seatback by pulling the release knob and then fold the seatback down.

▼ Folding down the seat cushion and seatback

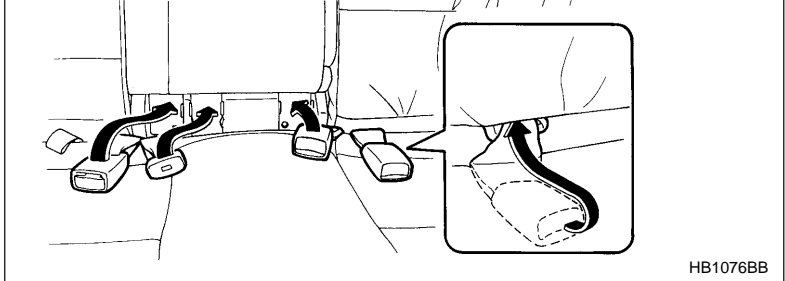
1. Move the front seat forward.
2. Close the rear passengers' cup holder and ashtray.
3. To remove the headrest (if so equipped), pull the headrest up while pressing the release button located on the backside of the seatback.



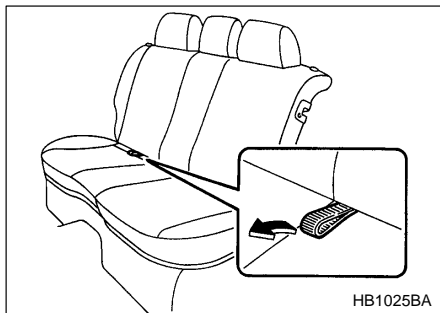
4. Store the seatbelts in the seatbelt pocket to prevent them from falling below the cushion.



With built-in child seat

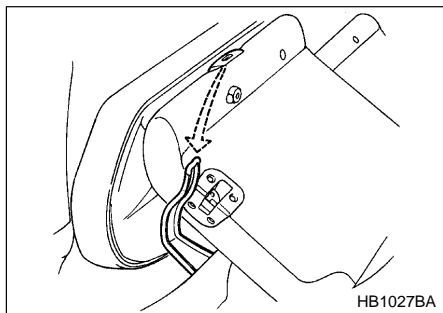


5. Raise the seat cushion by pulling up the tab.
Make certain that the rear passenger's cup holder is fully retracted before raising the seat cushion.

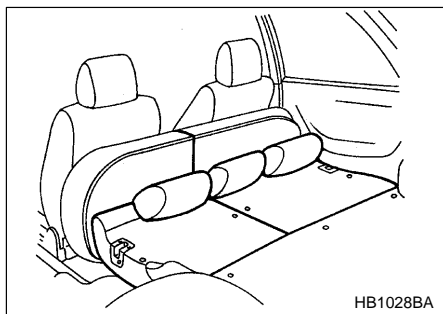


- CONTINUED -

6. Unlock the seatback by pulling the release knob and fold the seatback down. Confirm that the pin located at the bottom of the seat cushion is inserted into the slot at the top of the seatback.



7. Install the headrest (if so equipped) onto the backside of the seatback.



To return the rear seat to its original position, raise the seatback and seat cushion until they lock into place and make sure that they are securely locked.

Make sure that the rear seatbelts are not under the seat cushion or seatback.

Place the headrests (if so equipped) back in their normal position.

Seatbelts

■ Seatbelt safety tips



WARNING

- All persons in the vehicle should fasten their seatbelts **BEFORE** the vehicle starts to move. Otherwise, the possibility of serious injury becomes greater in the event of a sudden stop or accident.

- All belts should fit snugly in order to provide full restraint. Loose fitting belts are not as effective in preventing or reducing injury.

- Each seatbelt is designed to support only one person. Never use a single belt for two or more persons — even children. Otherwise, in an accident, serious injury or death could result.

- Replace all seatbelt assemblies including retractors and attaching hardware worn by occupants of a vehicle that has been in a serious accident. The entire assembly should be replaced even if damage is not obvious.

- Put children aged 12 and under in the rear seat properly restrained at all times. The SRS airbag deploys with considerable speed and force and can injure or even kill children, especially if they are 12 years of age and under and are not restrained or improperly restrained. Because children are lighter and weaker than adults, their risk of being injured from deployment is greater. For that reason, we strongly recommend that **ALL** children (including those in child seats and those that have outgrown child restraint devices) sit in the **REAR** seat properly restrained at all times in a child restraint device or in a seatbelt, whichever is appropriate for the child's height and weight.

Secure **ALL** types of child restraint devices (including forward facing child seats) in the **REAR** seats at all times.

NEVER INSTALL A REARWARD FACING CHILD SEAT IN THE FRONT SEAT. DOING SO RISKS SERIOUS INJURY OR DEATH TO THE CHILD BY PLACING THE CHILD'S HEAD TOO CLOSE TO THE SRS AIRBAG.

– CONTINUED –

According to accident statistics, children are safer when properly restrained in the rear seating positions than in the front seating positions. For instructions and precautions concerning the child restraint system, see the “Child restraint systems” section in this chapter.

▼ **Infants or small children**

Use a child restraint system that is suitable for your vehicle. See information on “Child restraint systems” in this chapter.

▼ **Children**

If a child is too big for a child restraint system, the child should sit in the rear seat and be restrained using the seatbelts. According to accident statistics, children are safer when properly restrained in the rear seating positions than in the front seating positions. Never allow a child to stand up or kneel on the seat.

If the shoulder portion of the belt crosses the face or neck, move the child closer to the belt buckle to help provide a good shoulder belt fit. Care must be taken to securely place the lap belt as low as possible on the hips and not on the child's waist. If the shoulder portion of the belt cannot be properly positioned, a child restraint system should be used. Never place the shoulder belt under the child's arm or behind the child's back.

▼ **Expectant mothers**

Expectant mothers also need to use the seatbelts. They should consult their doctor for specific recommendations. The lap belt should be worn securely and as low as possible over the hips, not over the waist.

■ **Emergency Locking Retractor (ELR) function**

The emergency locking retractor allows normal body movement but the retractor locks automatically during a sudden stop, impact or if you pull the belt very quickly out of the retractor.

■ Automatic Locking Retractor (ALR) function

When securing a child restraint system on the passengers' seats, the seatbelt must be changed over to the Automatic Locking Retractor (ALR) mode.

When the child restraint system is removed, make sure that the retractor operates as an Emergency Locking Retractor (ELR).

For instructions on how to convert the retractor to the ALR mode and restore it to the ELR mode, see the "Child restraint systems" section in this chapter.

■ Seatbelt warning light and chime

Your vehicle is equipped with a seatbelt warning device at the driver's seat.

This device causes the seatbelt warning light on the instrument panel to light up for about six seconds when the ignition switch is turned to the "ON" position to remind the driver to wear the seatbelt. If the driver's seatbelt is not fastened, a warning chime sounds at the same time.

■ Fastening the seatbelt



WARNING

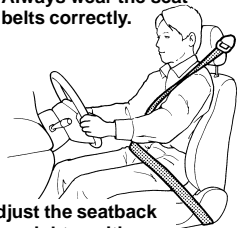
- **Never use a belt that is twisted or reversed. In an accident, this can increase the risk or severity of injury.**
- **Never place the shoulder belt under the arm or behind the back. If an accident occurs, this can increase the risk or severity of injury.**
- **Keep the lap belt as low as possible on your hips. In a collision, this spreads the force of the lap belt over stronger hip bones instead of across the weaker abdomen.**
- **Seatbelts provide maximum restraint when the occupant sits well back and upright in the seat. To reduce the risk of sliding under the seatbelt in a collision, the front seatbacks should be always used in the upright position while the vehicle is running. If the front seatbacks are not used in the upright position in a collision, the risk of sliding under the lap belt and of the lap belt slid-**

– CONTINUED –

ing up over the abdomen will increase, and both can result in serious internal injury or death.

- Do not put cushions or any other materials between occupants and seatbacks or seat cushions. If you do so, the risk of sliding under the lap belt and of lap belt sliding up over the abdomen will increase, and both can result in serious internal injury or death.

Always wear the seatbelts correctly.

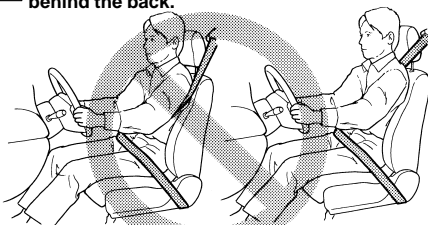


Adjust the seatback to upright position. Sit well back and upright.

HS0230



Never place the shoulder belt under the arm or behind the back.

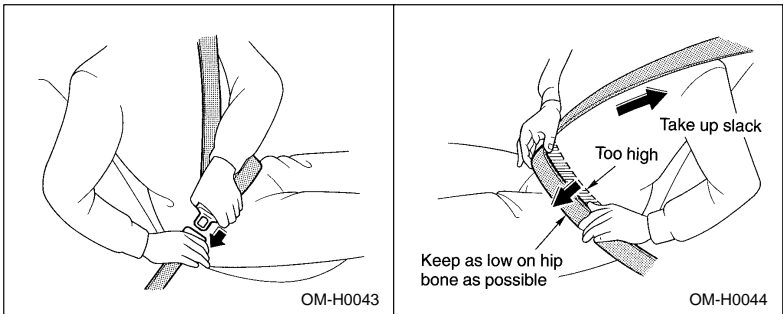


HS0231

CAUTION

Metallic parts of the seatbelt can become very hot in a vehicle that has been closed up in sunny weather; they could burn an occupant. Do not touch such hot parts until they cool.

▼ **Front and rear seatbelts (except rear center seatbelt on station wagon)**



1. Adjust the seat position:

Driver's seat: Adjust the seatback to the upright position. Move the seatback as far from the steering wheel as practical while still maintaining full vehicle control.

Front passenger's seat: Adjust the seatback to the upright position. Move the seat as far back as possible.

2. Sit well back in the seat.

3. Pick up the tongue plate and pull the belt out slowly. Do not let it get twisted. If the belt stops before reaching the buckle, return the belt slightly and pull it out more slowly. If the belt still cannot be unlocked, let the belt retract slightly after giving a strong pull on it, then pull it out slowly again.

4. Insert the tongue plate into the buckle until you hear a click.

5. To make the lap part tight, pull up on the shoulder belt. And place the lap belt as low as possible on your hips, not on your waist.

▼ **Rear center seatbelt on station wagon**

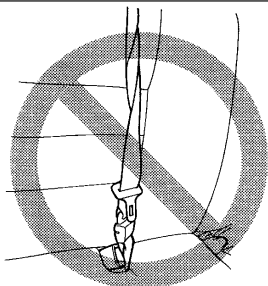
⚠ WARNING

● **Fastening the seatbelt with the webbing twisted can increase the risk or severity of injury in an accident. When fastening the belt after it is out from the retractor, especially when inserting the smaller tongue plate into the mating buckle (smaller one on right-**

– CONTINUED –

hand side), always check that the webbing is not twisted.

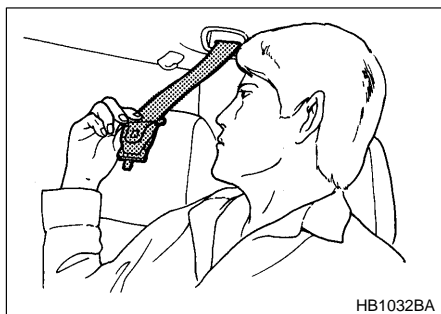
- Be sure to fasten both tongue plates to the respective buckles. If the seatbelt is used only as a shoulder belt (with the smaller tongue plate not fastened to the smaller buckle on the right-hand side), it cannot properly restrain the wearer in position in an accident, possibly resulting in serious injury or death.



HB1030BA

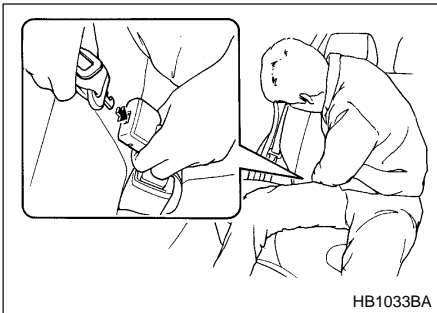


HB1031BA

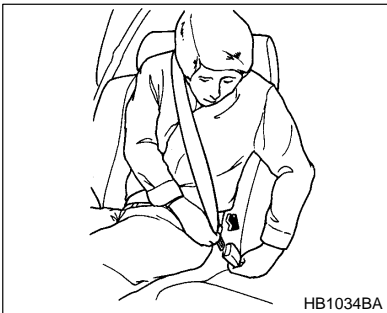


HB1032BA

1. Pull out the seatbelt slowly from the retractor on the roof.



2. After confirming that the webbing is not twisted, insert the smaller tongue plate attached at the webbing end into the buckle (smaller one on the right-hand side) until a click is heard. If the belt stops before reaching the buckle, return the belt slightly and pull it out more slowly. If the belt still cannot be unlocked, let the belt retract slightly after giving a strong pull on it, then pull it out slowly again.

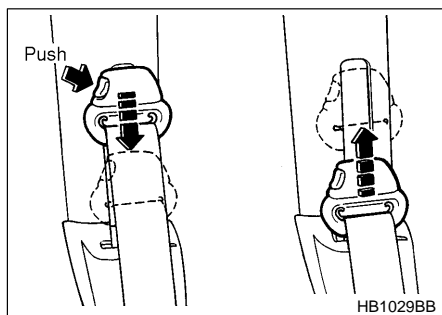


3. Insert the larger tongue plate in the larger buckle marked "CENTER" on the left-hand side until it clicks. To make the lap part tight, pull up on the shoulder belt. And place the lap belt as low as possible on your hips, not on your waist.

■ Adjusting the front seat shoulder belt anchor height

WARNING

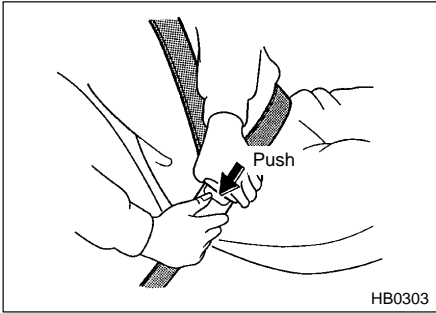
When wearing the front seatbelts, make sure the shoulder portion of the webbing does not pass over your neck. If it does, adjust the seatbelt anchor to a lower position. Placing the shoulder belt over the neck may result in neck injury during sudden braking or in a collision.



The shoulder belt anchor height should be adjusted to the position best suited for you. To lower the anchor height, push the release button and slide the anchor down. To raise the anchor height, slide the anchor up. Pull down on the anchor to make sure that it is locked in place. Always adjust the anchor height so that the shoulder belt passes over the middle of the shoulder without touching the neck.

■ Unfastening the seatbelt

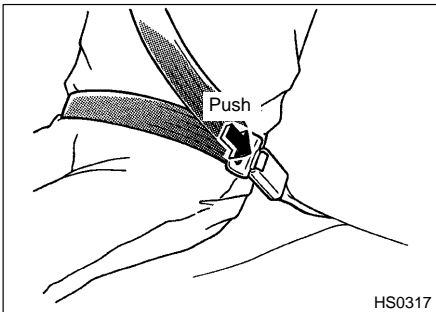
▼ Except station wagon models' rear center seatbelt



Push the button on the buckle.

Before closing the door, make sure that the belts are retracted properly to avoid catching the belt webbing in the door.

▼ Rear center seatbelt on station wagon



Push the release button of the larger buckle (on the left-side) to unfasten the seatbelt.

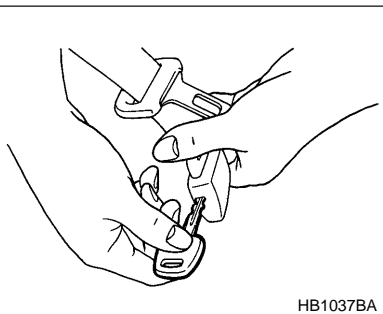
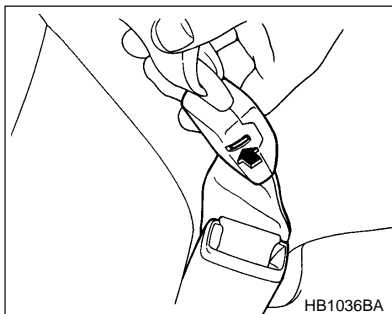
NOTE

When the seatback is folded down for greater cargo space, it is necessary to disconnect the smaller tongue plate from the buckle.

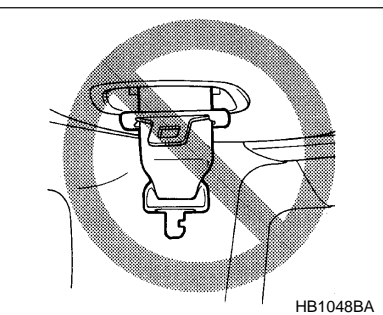
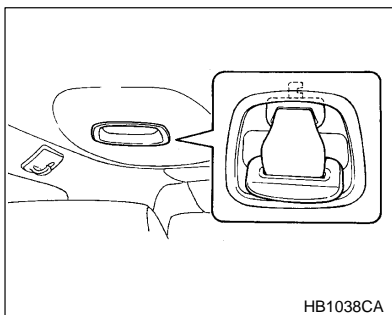
– CONTINUED –

⚠ CAUTION

- Do not allow the retractor to roll up the seatbelt so quickly. Otherwise, the metal tongue plates may hit against the trim, resulting in damaged trim.
- Have the seatbelt fully rolled up so that the tongue plates may be neatly stored. A hanging tongue plate can swing and hit against the trim during driving, causing damage to the trim.



1. Insert a key or other hard pointed object into the slot in the smaller buckle on the right-hand side and push it in, and the smaller tongue plate will be disconnected from the buckle.

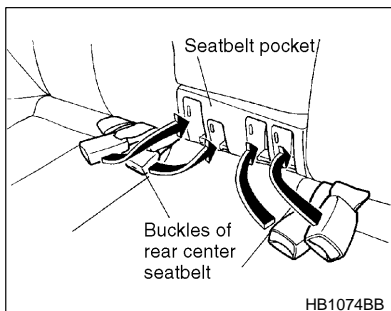


2. Allow the retractor to roll up the belt. You should hold the webbing end and guide it back into the retractor while it is rolling up. Neatly

store the tongue plates in the recess in the retractor neatly and then insert the smaller tongue plate into the slot located at the front of the recess.

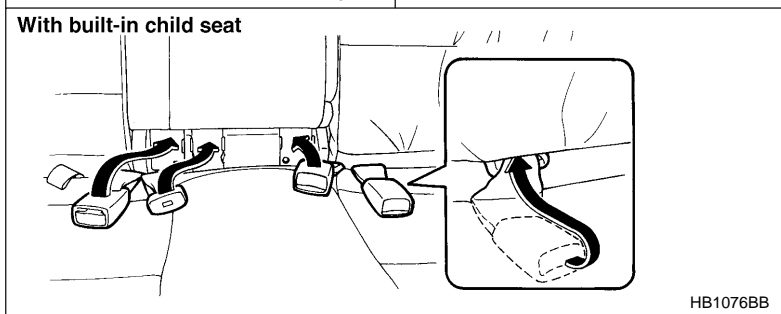
NOTE

When folding down the rear seat cushion, store the seatbelts in the seatbelt pocket to prevent them falling below the cushion.



HB1074BB

With built-in child seat

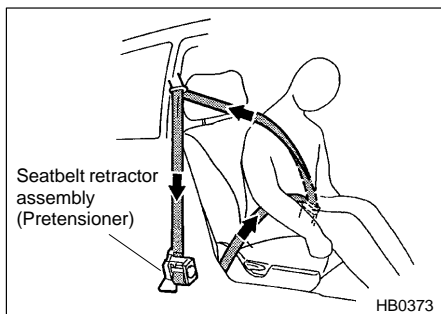


HB1076BB

■ Front seatbelt pretensioners

WARNING

- To obtain maximum protection, occupants should sit in an upright position with their seatbelts properly fastened. Refer to “Seatbelts” section in this chapter.
- Do not modify, remove or strike the front seatbelt retractor assemblies or surrounding area. This could result in accidental activation of the seatbelt pretensioners or could make the system inoperative, possibly resulting in serious injury. Seatbelt pretensioners have no user-serviceable parts. For required servicing of front seatbelt retractors equipped with seatbelt pretensioners, see your nearest SUBARU dealer.
- When discarding front seatbelt retractor assemblies or scrapping the entire car due to collision damage or for other reasons, consult your SUBARU dealer.



The driver's and front passenger's seatbelts have a seatbelt pretensioner. The seatbelt pretensioners are designed to be activated in the event of an accident involving a moderate to severe frontal collision.

The pretensioner sensor also serves as a SRS frontal airbag sensor. If the sensor detects a certain predetermined amount of force during a frontal collision, the front seatbelt is quickly drawn back in by the retractor to take up the slack so that the belt more effectively restrains

the front seat occupant.

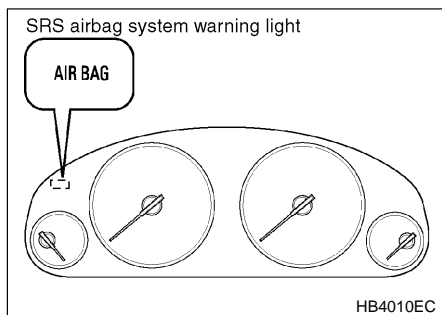
When a seatbelt pretensioner is activated, an operating noise will be heard and a small amount of smoke will be released. These occurrences are normal and not harmful. This smoke does not indicate a fire in the vehicle.

Once the seatbelt pretensioner has been activated, the seatbelt retractor remains locked. Consequently, the seatbelt can not be pulled out and retracted.

NOTE

- **Seatbelt pretensioners are not designed to activate in minor frontal impacts, in side or rear impacts or in roll-over accidents.**
- **The driver's seat and passenger's seat pretensioners and frontal airbag operate simultaneously.**
- **Pretensioners are designed to function on a one-time-only basis. In the event that a pretensioner is activated, both the driver's and front passenger's seatbelt retractor assemblies must be replaced and only by an authorized SUBARU dealer. When replacing seatbelt retractor assemblies, use only genuine SUBARU parts.**
- **If either front seatbelt does not retract or cannot be pulled out due to a malfunction or activation of the pretensioner, contact your SUBARU dealer as soon as possible.**
- **If the front seatbelt retractor assembly or surrounding area has been damaged, contact your SUBARU dealer as soon as possible.**
- **When you sell your vehicle, we urge you to explain to the buyer that it has seatbelt pretensioners by alerting him to the contents of this section.**

▼ System monitors



A diagnostic system continually monitors the readiness of the seatbelt pretensioner while the vehicle is being driven. The seatbelt pretensioners share the control module with the airbag system. Therefore, if any malfunction occurs in a seatbelt pretensioner, the SRS airbag system warning light will illuminate. The SRS airbag system warning light will show normal system operation by lighting for about 6 seconds when the ignition key is turned to the "ON" position.

The following components are monitored by the indicator:

- Front sub sensor (Right hand side)
- Front sub sensor (Left hand side)
- Airbag control module (including impact sensors)
- Seatbelt pretensioner (Driver's side)
- Seatbelt pretensioner (Passenger's side)
- All related wiring

In the event of a malfunction indicated by any of following, the vehicle should be taken promptly to your nearest SUBARU dealer to have the system checked. Unless checked and repaired, the seatbelt pretensioners and airbags will not function reliably:

- Flashing or flickering of the indicator light.
- No illumination of the warning light when the ignition switch is first turned to the "ON" position.
- Continuous illumination of the warning light.
- Illumination of the warning light while driving.

▼ System servicing

 **WARNING**

- When discarding a seatbelt retractor assembly or scrapping the entire car damaged by a collision, consult your SUBARU dealer.
- Tampering with or disconnecting the system's wiring could result in accidental activation of the seatbelt pretensioner and/or airbag or could make the system inoperative, which may result in serious injury. The wiring harnesses of the seatbelt pretensioner and SRS airbag systems are covered with yellow insulation and the connectors of the system are yellow for easy identification. Do not use electrical test equipment on any circuit related to the seatbelt pretensioner and airbag systems. For required servicing of the seatbelt pretensioner, see your nearest SUBARU dealer.

 **CAUTION**

The front bus sensors are located in both front fenders and the airbag control module including the impact sensors is located under the center console. If you need service or repair in those areas or near the front seatbelt retractors, we recommend that you have an authorized SUBARU dealer perform the work.

NOTE

If the front part of the vehicle is damaged in an accident to the extent that the seatbelt pretensioner does not operate, contact your SUBARU dealer as soon as possible.

▼ Precautions against vehicle modification

 **CAUTION**

Do not perform any of the following modifications. Such modifications can interfere with proper operation of the seatbelt pretensioners.

-
- **Attachment of any equipment (bush bar, winches, snow plow, skid plate, etc.) other than SUBARU genuine accessory parts to the front end.**
 - **Modification of the suspension system or front end structure.**
 - **Installation of a tire of different size and construction from the original tires listed on the tire placard attached to the door jamb.**

Always consult your SUBARU dealer if you want to install any accessory parts to your vehicle.

■ **Seatbelt maintenance**

CAUTION

- **Keep the belts free of polishes, oils, chemicals and particularly battery acid.**
- **Never attempt to make modifications or changes that will prevent the seatbelt from operating properly.**

To clean the seatbelts, use a mild soap and lukewarm water. Never bleach or dye the belts because this could seriously affect their strength.

Inspect the seatbelts and attachments including the webbing and all hardware periodically for cracks, cuts, gashes, tears, damage, loose bolts or worn areas. Replace the seatbelts even if only minor damage is found.

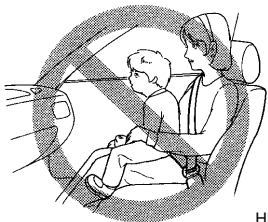
Child restraint systems



WARNING

- Never let a passenger hold a child on his or her lap while the vehicle is moving. The passenger cannot protect the child from injury in a collision, because the child will be caught between the passenger and objects inside the vehicle. Additionally, holding a child in your lap or arms in the front seat exposes that child to another serious danger. Since the SRS airbag deploys with considerable speed and force, the child could be injured or even killed.
- Put children aged 12 and under in the rear seat properly restrained at all times. The SRS airbag deploys with considerable speed and force and can injure or even kill children, especially if they are 12 years of age and under and are not restrained or improperly restrained. Because children are lighter and weaker than adults, their risk of being injured from deployment is greater. For that reason, be sure to secure ALL types of child restraint devices (including forward facing child seats) in the REAR seats at all times. You should choose a restraint device which is appropriate for the child's age, height and weight. According to accident statistics, children are safer when properly restrained in the rear seating positions than in the front seating positions.
- **SINCE YOUR VEHICLE IS EQUIPPED WITH A PASSENGER'S SRS AIRBAG, DO NOT INSTALL A REARWARD FACING CHILD SEAT IN THE FRONT PASSENGER'S SEAT. DOING SO RISKS SERIOUS INJURY OR DEATH TO THE CHILD BY PLACING THE CHILD'S HEAD TOO CLOSE TO THE SRS AIRBAG.**
- Children should be properly restrained in the rear seat at all times. Never allow a child to stand up, or to kneel on the front passenger's seat. The SRS airbag deploys with considerable force and can injure or even kill the child.

⚠ Never hold a child on your lap or in your arms in the front passenger's seat or any other seat.



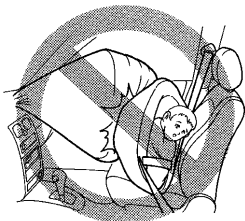
HB0308

Secure child restraint devices in the REAR seats at all times.



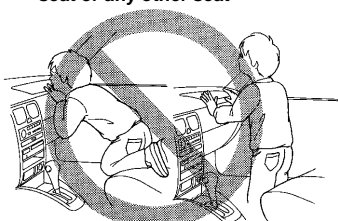
OM-H2406

⚠ Never install rearward facing child seat in the front passenger's seat.



HB0306

⚠ Never allow a child to stand up, or to kneel on the front passenger's seat or any other seat



HB0307

⚠ WARNING

- Child restraint systems and seatbelts can become hot in a vehicle that has been closed up in sunny weather; they could burn a small child. Check the child restraint system before you place a child in it.
- Do not leave an unsecured child restraint system in your vehicle. Unsecured child restraint systems can be thrown around inside of the vehicle in a sudden stop, turn or accident; it can strike and injure vehicle occupants as well as result in serious injuries or death to the child.

Infants and small children should always be placed in an infant or child restraint system in the rear seat while riding in the vehicle. You should use an infant or child restraint system that meets Federal Motor Vehicle

Safety Standards or Canada Motor Vehicle Safety Standards, is compatible with your vehicle and is appropriate for the child's age and size. All child restraint systems are designed to be secured in vehicle seats by lap belts or the lap portion of a lap/shoulder belt.

Children could be endangered in an accident if their child restraints are not properly secured in the vehicle. When installing the child restraint system, carefully follow the manufacturer's instructions.

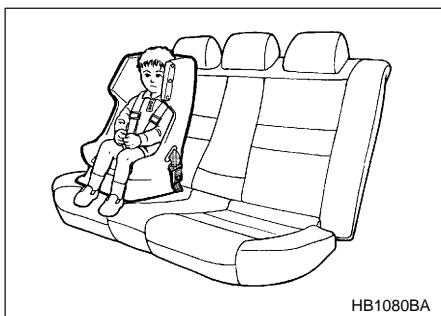
According to accident statistics, children are safer when properly restrained in the rear seating positions than in the front seating positions. These statistics also indicate that the safest position for a child restraint system is the center of the rear seat.

All U.S. states and Canadian provinces require that infants and small children be restrained in an approved child restraint system at all times while the vehicle is moving.

▼ Installing child restraint systems

NOTE

When the child restraint system is no longer in use, remove it and restore the ELR function of the retractor. That function is restored by allowing the seatbelt to retract fully.



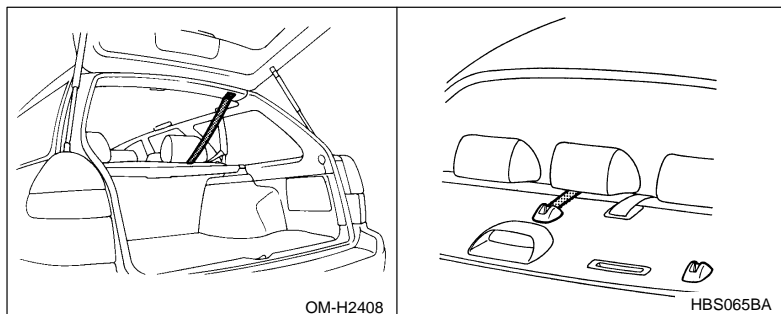
1. Set the child restraint system in the seating position.
2. Run the lap and shoulder belt through or around the child restraint system following the instructions provided by its manufacturer. If the

– CONTINUED –

shoulder belt goes in front of the child's face or neck, put it behind the child restraint system.

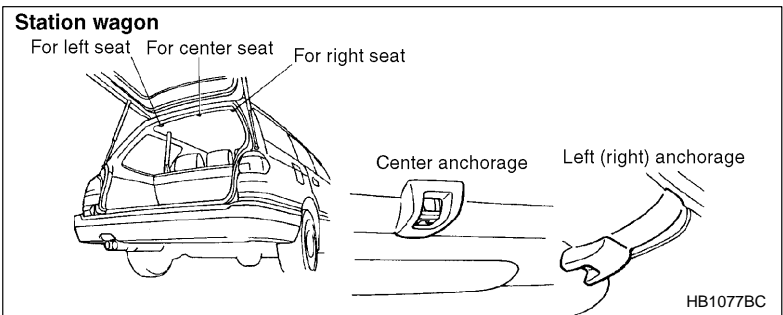
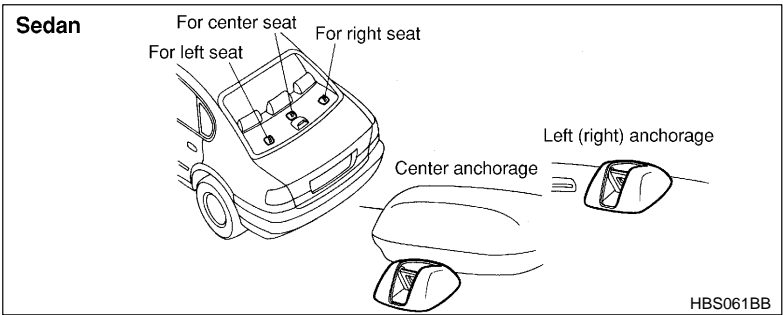
3. Insert the tongue plate into the buckle.
4. Take up the slack in the lap belt.
5. Pull out the seatbelt fully from the retractor to change the retractor over from the Emergency Locking Retractor (ELR) to the Automatic Locking Retractor (ALR) function. Then, allow the belt to rewind into the retractor. As the belt is rewinding, clicks will be heard which indicate the retractor functions as ALR.
6. Before having a child sit in the child restraint system, move it back and forth to check if it is firmly secured. Sometimes a child restraint can be more firmly secured by pushing it down into the seat cushion and then tightening the seatbelt.
7. Pull at the shoulder portion of the belt to confirm that it cannot be pulled out (ALR properly functioning).

If the child restraint system requires a top strap, latch the hook onto the top strap anchor and tighten the top strap.



■ Top strap anchors

▼ Anchorage location



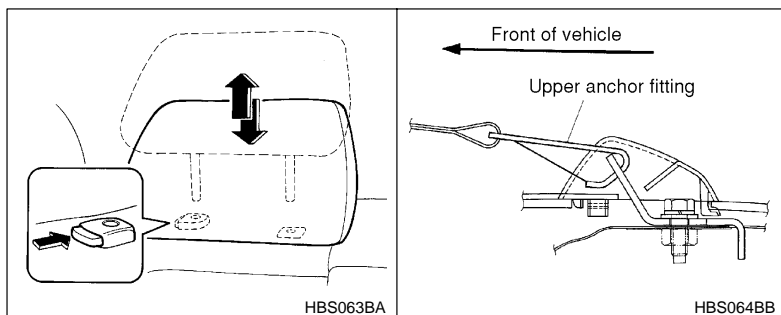
Three anchor brackets, i.e., ones for the right, center and left positions, are already installed on the rear parcel shelf (on Sedan) or on the rear edge of the roof (on Station wagon).

▼ To hook the top strap

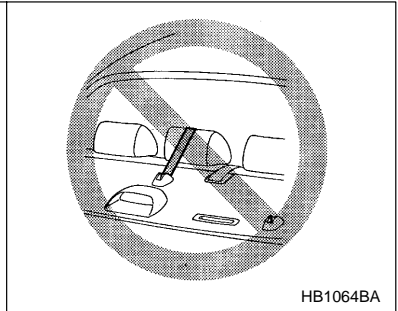
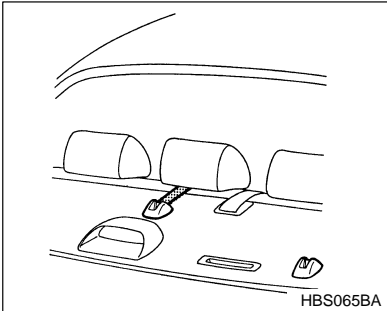
▽ Sedan

⚠ CAUTION

When the child restraint system is to be secured using the top strap, always pass the top strap under the headrest between the headrest stay posts. If the top strap is routed over the headrest, it may not be properly tensioned, resulting in an unsteady child restraint.



1. Remove the headrest at the seating position where the child restraint has been installed with the seatbelt; lift up the headrest while pressing the release button.
2. Fasten the top strap hook of the child restraint to the appropriate anchor bracket.

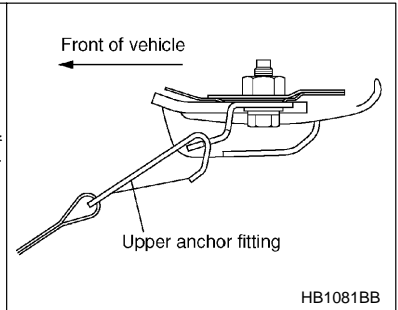
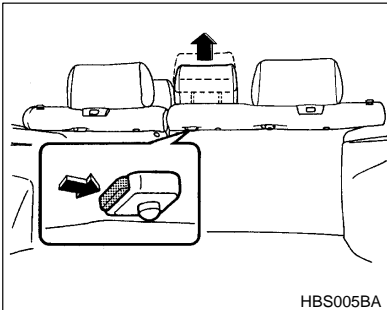


3. Tighten the top strap securely.
4. Reinstall the headrest in such a way that the top strap is routed between the headrest stay posts.

▽ **Station wagon**

! CAUTION

Always remove the headrest when mounting a child restraint system with a top strap. Otherwise, it may happen that the top strap cannot be fastened tightly.



1. Remove the headrest (if so equipped) at the seating position where the child restraint has been installed with the seatbelt; lift up the headrest while pressing the release button. Store the headrest in

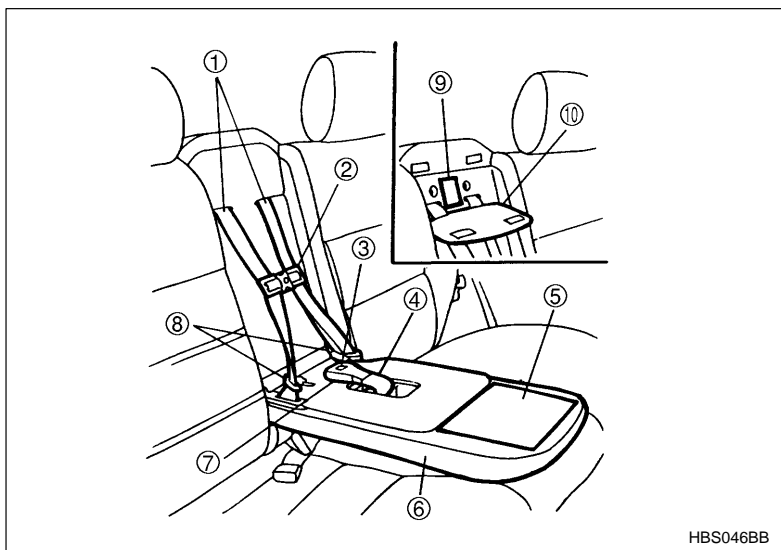
– CONTINUED –

the cargo area. Avoid placing the headrest in the passenger compartment to prevent it from being thrown around in the passenger compartment in a sudden stop or a sharp turn.

2. Fasten the top strap hook of the child restraint to the appropriate anchor bracket.
3. Tighten the top strap securely.

Built-in child restraint (if equipped)

Refer to the diagram below to become familiar with the parts of this built-in child restraint.



- | | |
|---------------------------|---|
| ① Lap-shoulder belt | ⑦ Belt buckle |
| ② Chest clip | ⑧ Tongue plates |
| ③ Release button | ⑨ Maximum shoulder height indicator label |
| ④ Crotch belt | ⑩ Removable pad |
| ⑤ Warning label | |
| ⑥ Child restraint cushion | |

The child restraint is designed for use only by children who weigh between 9.05 kg (20 lb.) and 18.09 kg (40 lb.), whose height is 110 cm (44.3 in.) or less, who are capable of sitting upright alone and whose shoulder height is below the shoulder belt slot.

The child should also be at least one year old. It is important to use a rear-facing child restraint until the child is about a year old. A rear-facing restraint gives the child's head, neck and body the support they would need in a collision. See the "Child restraint systems" section in this manual.



WARNING

Do not use the built-in child restraint for infants who require a rear-facing child restraint. In an accident, serious crippling injury or death could result if the built-in restraint is used for the infant.

If the child exceeds the maximum weight and height capacities of the built-in child restraint (maximum weight of 18.09 kg (40 lb.) and maximum height of 110 cm (44.3 in.)), do not use the built-in child restraint. The child should use either the vehicle's seatbelts or an approved after-market booster seat, if necessary.

The built-in child restraint system conforms to Federal Motor Vehicle Safety Standard No. 213 and Canada Motor Vehicle Safety Standard No. 213.4.

According to accident statistics, children are safer when properly restrained in the rear seating position than in the front seating position. Children aged 12 and under should not sit in the front seat of a car equipped with a passenger's SRS airbag.

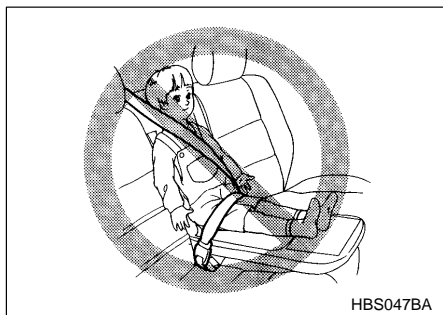


WARNING

- **Make sure the child is securely restrained with the built-in child restraint.**
- **Failure to follow the manufacturer's instructions on the use of this child restraint system can result in your child striking the vehicle's interior during a sudden stop or crash.**

– CONTINUED –

- Snugly adjust the belts provided with this child restraint around your child.
- The built-in child restraint should be used for only one child at a time. Using it for two or more children at the same time could result in serious injury or death in an accident.
- Do not use the center lap and shoulder belt with the child restraint. A child using the center seatbelt could slide forward and out from under the seatbelt in a sudden stop or an accident, resulting in serious injury to the child.



⚠ WARNING

- Do not use another child restraint system over the opened built-in child restraint. Because a child restraint system cannot be secured on the built-in restraint cushion, the restraint could fall down during sudden braking, a sharp turn or in an accident, causing serious injury to the child in it.
- Always keep the child restraint equipped rear seatback locked securely in place when the child restraint is in use. Otherwise, in an accident, serious injury or death to a child could result if the seatback falls down.
- The built-in child restraint, especially metallic parts, can become hot in a vehicle that has been closed up in sunny weather; they could burn a small child. Check the child restraint before you place a child in it.



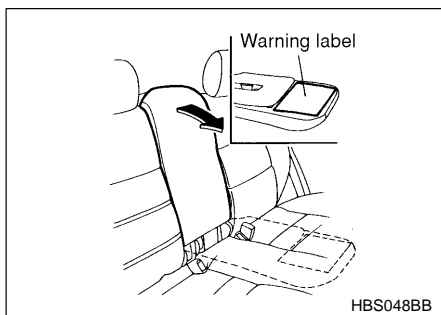
CAUTION

Be careful not to damage the belt webbing or hardware. Take care that they do not get caught or pinched in the seatback.

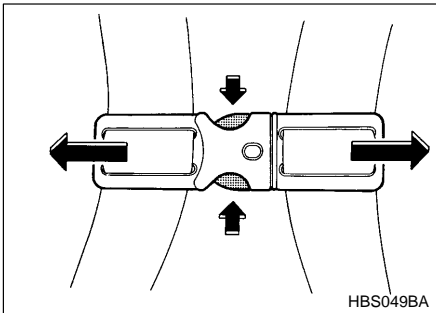
The lap-shoulder belts of the built-in child restraint are equipped with an automatic locking retractor (ALR) that automatically locks when both tongue plates are latched into the belt buckle and the belts retract.

▼ Placing a child in the built-in child restraint

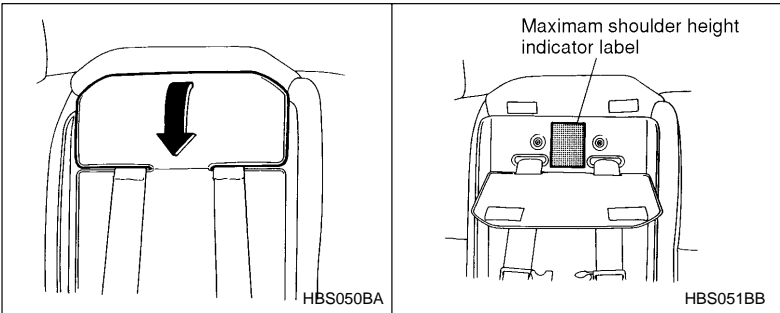
1. Before using the built-in child restraint, make sure the vehicle's rear seatback is locked securely in place.



2. Lower the child restraint cushion.
3. Read the information and warnings on the child restraint cushion. Check the child's size and weight to be sure the child is not too small or too large for the child restraint.



4. If the left and right halves of the chest clip are fastened together, separate them by squeezing the release tabs.



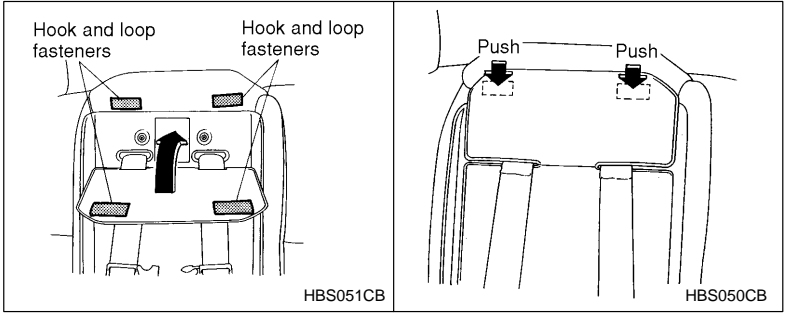
5. Pull down the seatback part of the removable pad. Make sure the child's shoulders are at or below the maximum shoulder height indicated on the label attached to the seatback.

The child restraint pad is attached by hook and loop fasteners (Velcro®).

⚠ WARNING

If the child's shoulders are above the maximum shoulder height indicated on the label, do not use the built-in child restraint. If used, the built-in restraint cannot restrain the child properly, which may result in serious injury to the child in an accident. The

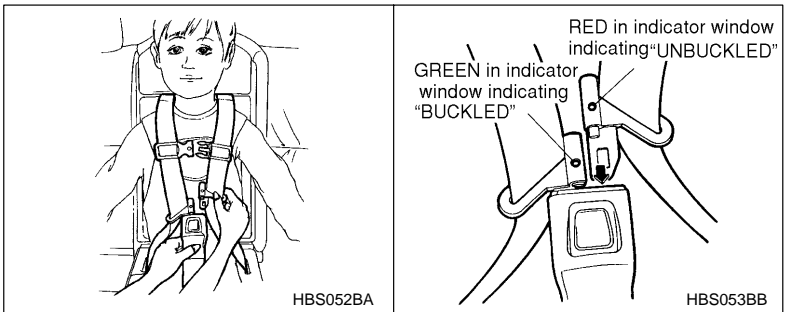
child should use either the vehicle's seatbelts or an approved after-market booster seat, if necessary.



6. Press the removable pad against the hook and loop fasteners (Velcro®) and install the pad to the seatback. Make sure the belts go through the slots in the pad.

⚠ WARNING

If you remove the removable pad for cleaning or other purposes, do not use the built-in child restraint. If an accident occurs, the absence of the pad can increase the risk or severity of injury to the child.



7. Sit the child on the child restraint.

– CONTINUED –

8. Pull out one side of the lap-shoulder belt and place it over the child's shoulder. Insert the tongue plate into the buckle until it clicks. If both sides of the belt are pulled out, the belts will lock. If the belts lock, allow them to fully retract to unlock the retractor. Then pull out only one side of the belt.

9. Pull out the other side of lap-shoulder belt and place it over the child's shoulder in a single motion. Insert the tongue plate into the buckle until it clicks. Once the belt retracts even slightly, the ALR will be activated and both belts will lock.

If the belt stops before the tongue reaches the buckle, allow both belts to fully retract to unlock the retractor and then separately pull out the belts and buckle them again.

10. Allow both belts to tighten snugly against the child's shoulders.

Because of the ALR function, the belts cannot be pulled out simultaneously from the retractor.

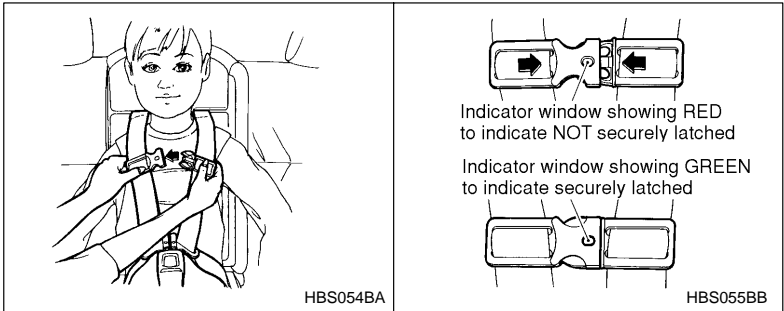
The color green must appear in the indicator window on each tongue when buckled. If the color red appears in the window, the tongue is not buckled.

 **WARNING**

After inserting the tongue plates, make sure the tongue plates and buckle are locked and that the lap-shoulder belts and crotch belt are not twisted. If the restraint is used with the tongues and buckle not locked and/or with the belts twisted, the risk or severity of injury to the child could increase in an accident.

 **CAUTION**

If the child restraint belts do not function normally, contact your authorized SUBARU dealer immediately.



11. Fasten the right and left halves of the chest clip at the level of the child's armpits. The color green must appear in the indicator window when fastened. If the color red appears in the window, the clip is not securely latched.

The purpose of the clip is to keep the shoulder belts positioned correctly on the shoulders.

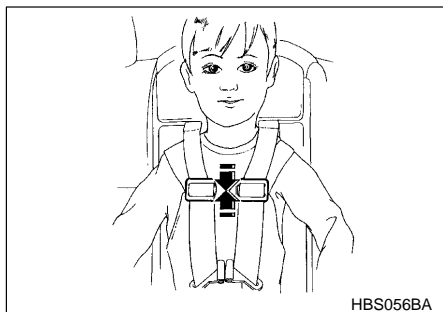
⚠ WARNING

An unfastened chest clip will not help keep the belts on the child's shoulders. In a sudden stop or in an accident, the child may go too far forward and be seriously injured. Make sure the chest clip is fastened at all times.

12. If the belts are loose, pull down on lap parts of the belts to take in the slack of the lap and shoulder belts.

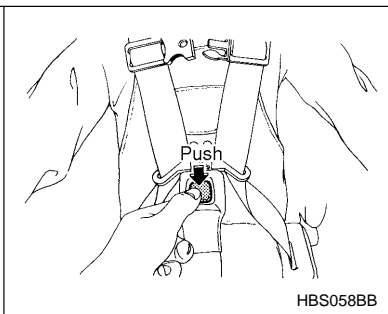
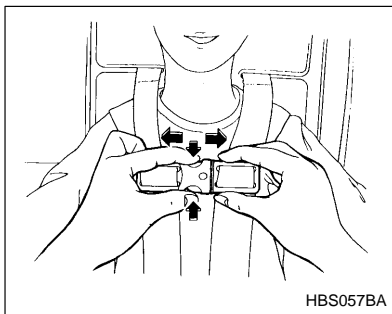
13. Pull the belts toward you to make sure the belt buckle is properly fastened and the retractor is locked.

14. If the belts become too tight, unbuckle the buckle and allow both belts to fully retract to unlock the retractor, then reinsert both tongue plates.



15. Move the chest clip to the middle of the child's chest so that the position of the shoulder portion of each belt is centered on the child's shoulder. The belts should be away from the child's face and neck, but not falling off the child's shoulders.

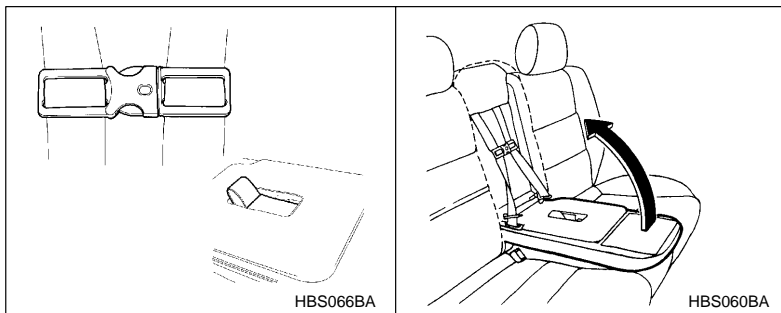
▼ Removing the child from the built-in child restraint



1. Disconnect the chest clip by squeezing the release tabs together and pulling the two sides apart.
 2. Press the release button on the buckle.
 3. Move both belts off the child's shoulders.
- Because the ALR is activated, hold either the left or right shoulder belt out fully while helping slide the child's arms out of the belts.
4. Allow the belts to fully retract.

▼ Storing the built-in child restraint

Always properly store the built-in child restraint before using the regular lap-shoulder belt for the rear-center seating position.



1. Fasten the chest clip.
2. Stow the belt buckle into the recess of the child restraint cushion.
3. Fold the child restraint cushion up into the seatback.

▼ Replacing restraint system parts after a collision

⚠ WARNING

Replace the built-in child restraint equipped vehicle seatback assembly if the child restraint was in use during a serious collision. The built-in restraint may be severely weakened. In a subsequent accident, it might not be able to provide adequate protection. The entire assembly should be replaced even if damage is not obvious.

▼ Maintenance

⚠ CAUTION

- Keep the belts free of polishes, oils, chemicals and particularly battery acid as they may weaken the belts.
- Never attempt to make modifications or changes that will prevent the built-in child restraint from operating properly.

The built-in child restraint may be cleaned with mild soap and lukewarm water. Do not use household cleaners. They may weaken the belts or damage plastic parts.

Keep the built-in child restraint belts clean and dry. Clean the belts with only a mild soap and lukewarm water. Never bleach or dye the belts because this could seriously affect their strength.

The removable pad is attached to the child restraint cushion and seat-back with hook and loop fasteners (Velcro®). It is possible to remove the pad, hand wash it in cold water and dry it in the shade. Never bleach or iron the pad.

Periodically inspect the belts, tongue plates, buckle, clip, retractor and anchorages of the built-in child restraint. If these parts are damaged and/or do not function properly, contact your authorized SUBARU dealer for replacement parts.

***SRS airbag (Supplemental Restraint System airbag)**

*SRS: This stands for supplemental restraint system. This name is used because the airbag system supplements the vehicle's seatbelts.

■ Vehicle with driver's and front passenger's SRS airbags and lap/shoulder restraints

WARNING

● **To obtain maximum protection in the event of an accident, the driver and all passengers in the vehicle should always wear seatbelts when the vehicle is moving. The SRS airbag is designed only as a supplement to the primary protection provided by the seatbelt. It does not do away with the need to fasten seatbelts. In combination with the seatbelts, it offers the best combined protection in case of a serious accident.**

Not wearing a seatbelt increases the chance of severe injury or death in a crash even when the car has the SRS airbag.

For instructions and precautions concerning the seatbelt system, see the “Seatbelts” sections in this chapter.

- Do not sit or lean unnecessarily close to the SRS airbag. Because the SRS airbag deploys with considerable speed – faster than the blink of an eye – and force to protect in high speed collisions, the force of an airbag can injure an occupant whose body is too close to SRS airbag.

It is also important to wear your seatbelt to help avoid injuries that can result when the SRS airbag contacts an occupant not in proper position such as one thrown forward during pre-accident braking.

Even when properly positioned, there remains a possibility that an occupant may suffer minor injury such as abrasions and bruises to the face or arms because of the SRS airbag deployment force.

- The SRS airbags deploy with considerable speed and force. Occupants who are out of proper position when the SRS airbag deploys could suffer very serious injuries. Because the SRS airbag needs enough space for deployment, the driver should always sit upright and well back in the seat as far from the steering wheel as practical while still maintaining full vehicle control and the front passenger should move the seat as far back as possible and sit upright and well back in the seat.

- Do not place any objects over or near the SRS airbag cover or between you and the SRS airbag. If the SRS airbag deploys, those objects could interfere with its proper operation and could be propelled inside the car and cause injury.

- Put children aged 12 and under in the rear seat properly restrained at all times. The SRS airbag deploys with considerable speed and force and can injure or even kill children, especially if they are 12 years of age and under and are not restrained or improperly restrained. Because children are lighter and weaker than adults, their risk of being injured from deployment is greater.

For that reason, we strongly recommend that ALL children (including those in child seats and those that have outgrown child restraint devices) sit in the REAR seat properly restrained at all

– CONTINUED –

times in a child restraint device or in a seatbelt, whichever is appropriate for the child's age, height and weight.

Secure ALL types of child restraint devices (including forward facing child seats) in the REAR seats at all times.

According to accident statistics, children are safer when properly restrained in the rear seating positions than in the front seating positions.

For instructions and precautions concerning the child restraint system, see the "Child restraint systems" section in this chapter.

- NEVER INSTALL A REARWARD FACING CHILD SEAT IN THE FRONT SEAT. DOING SO RISKS SERIOUS INJURY OR DEATH TO THE CHILD BY PLACING THE CHILD'S HEAD TOO CLOSE TO THE SRS AIRBAG.

- Never allow a child to stand up, or to kneel on the front passenger's seat, or never hold a child on your lap or in your arms. The SRS airbag deploys with considerable force and can injure or even kill the child.

Put children in the REAR seat properly restrained at all times.



HB0291



CAUTION

- When the SRS airbag deploys, some smoke will be released. This smoke could cause breathing problems for people with a history of asthma or other breathing trouble. If you or your passengers have breathing problems after SRS airbag deploys, get fresh air promptly.
- A deploying SRS airbag releases hot gas. Occupants could get burnt if they come into direct contact with the hot gas.

The supplemental restraint system (SRS) consists of two airbags (driver's and front passenger's **frontal** airbags) or four airbags (driver's and front passenger's **frontal** airbags and driver's and front passenger's **side** airbags).

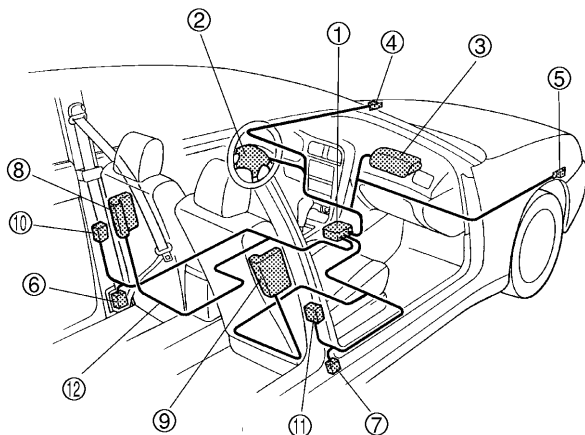
These SRS airbags are designed only as a supplement to the primary protection provided by the seatbelt.

The system also controls front seatbelt pretensioners. For operation, instructions are precautions concerning the seatbelt pretensioner, see the "Front seatbelt pretensioner" section in this chapter.

NOTE

When you sell your vehicle, we urge you to explain to the buyer that it is equipped with SRS airbags by alerting him to the applicable section in this owner's manual.

▼ Components



HB1079DB

- | | |
|---|---|
| ① Airbag control module
(including impact sensors) | ⑦ Seatbelt pretensioner
(passenger's side) |
| ② Airbag module (driver's side) | ⑧ Side airbag module
(driver's side — if equipped) |
| ③ Airbag module
(passenger's side) | ⑨ Side airbag module
(passenger's side — if
equipped) |
| ④ Front sub sensor
(left hand side) | ⑩ Side airbag sensor
(driver's side) |
| ⑤ Front sub sensor
(right hand side) | ⑪ Side airbag sensor
(passenger's side) |
| ⑥ Seatbelt pretensioner
(driver's side) | ⑫ Airbag wiring (yellow) |

■ SRS frontal airbag


WARNING

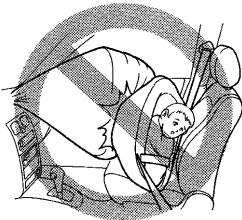
- **NEVER INSTALL A REARWARD FACING CHILD SEAT IN THE FRONT SEAT. DOING SO RISKS SERIOUS INJURY OR DEATH TO THE CHILD BY PLACING THE CHILD'S HEAD TOO CLOSE TO THE SRS AIRBAG.**

- **Never allow a child to stand up, or to kneel on the front passenger's seat, or never hold a child on your lap or in your arms. The SRS airbag deploys with considerable force and can injure or even kill the child.**


- **The SRS airbag deploys with considerable speed and force. Occupants who are out of proper position when the SRS airbag deploys could suffer very serious injuries. Because the SRS airbag needs enough space for deployment, the driver should always sit upright and well back in the seat as far from the steering wheel as practical while still maintaining full vehicle control and the front passenger should move the seat as far back as possible and sit upright and well back in the seat.**

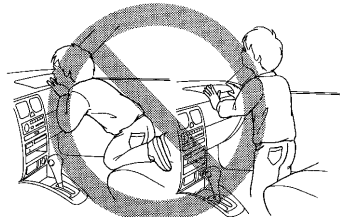
It is also important to wear your seatbelt to help avoid injuries that can result when the SRS airbag contacts an occupant not in proper position such as one thrown toward the front of the car during pre-accident braking.

 **Never install rearward facing child seat in the front passenger's seat.**



HB0306

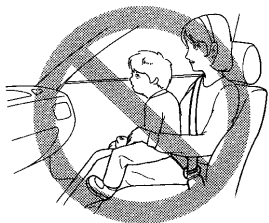
 **Never allow a child to stand up, or to kneel on the front passenger's seat**



HB0307

– CONTINUED –

⚠ Never hold a child on your lap or in your arms.



HB0308

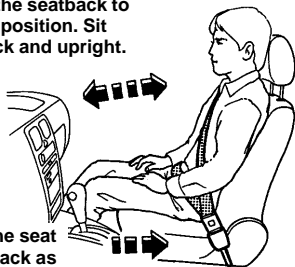
Adjust the seatback to upright position. Sit well back and upright.



Move the seat as far from the steering wheel as practical.

HS0233

Adjust the seatback to upright position. Sit well back and upright.

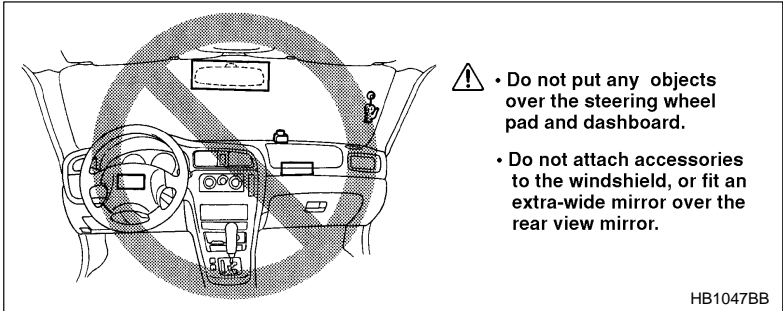


Move the seat as far back as possible.

HB0290

⚠ WARNING

- Do not put any objects over the steering wheel pad and dashboard. If the SRS frontal airbag deploys, those objects could interfere with its proper operation and could be propelled inside the vehicle and cause injury.
- Do not attach accessories to the windshield, or fit an extra-wide mirror over the rear view mirror. If the SRS airbag deploys, those objects could become projectiles that could seriously injure vehicle occupants.



The driver's SRS frontal airbag is stowed in the center portion of the steering wheel. The passenger's SRS frontal airbag is stowed near the top of the dashboard under an "SRS AIRBAG" mark.

In a moderate to severe frontal collision, the driver's and front passenger's SRS frontal airbags deploy and supplement the seatbelts by reducing the impact on the driver's and front passenger's head and chest.

▼ Operation

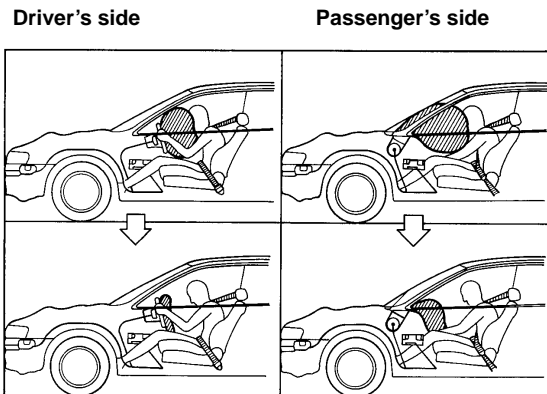


CAUTION

Do not touch the SRS airbag system components around the steering wheel and dashboard with bare hands right after deployment. Doing so can cause burns because the components can be very hot as a result of deployment.

SRS airbags deploy as soon as a collision occurs.

After deployment, SRS airbags start to deflate immediately so that the driver's vision is not obstructed.



OM-H0384

The SRS airbag can function only when the ignition switch is in the "ON" position.

If the front sub sensors inside the both front fenders and the impact sensors in the airbag control module detect a certain predetermined amount of force during a frontal collision, the control module sends signals to the frontal airbag modules instructing them to inflate the SRS frontal airbags. Then both airbag modules produce gas, which instantly inflates driver's and passenger's SRS frontal airbags. After the deployment, the SRS airbags immediately start to deflate so that the driver's vision is not obstructed. The time required from detecting impact to the deflating SRS airbag after deployment is shorter than the blink of eye.

The front passenger's SRS frontal airbag deploys together with driver's SRS frontal airbag even when no one occupies the front passenger's seat.

When the SRS frontal airbags deploy, the driver's and front passenger's seatbelt pretensioners operate at the same time.

Although it is highly unlikely that the SRS airbag would activate in a non-accident situation, should it occur, the SRS airbag will deflate quickly, not obscuring vision and will not interfere with the driver's ability to maintain control of the vehicle.

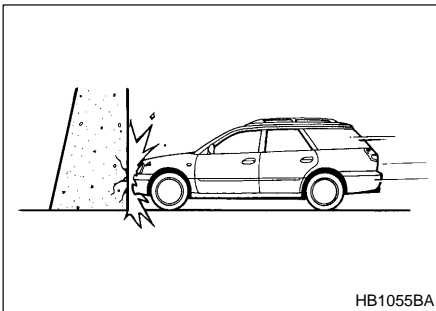
When the SRS airbag deploys, a sudden, fairly loud inflation noise will be heard and some smoke will be released. These occurrences are normal result of the deployment. This smoke does not indicate a fire in the vehicle.

The SRS frontal airbag is designed to deploy in the event of an accident involving a moderate to severe frontal collision. It is basically not designed to deploy in lesser frontal impacts because the necessary protection can be achieved by the seatbelt alone. Also, it is basically not designed to deploy in side or rear impacts or in roll-over accidents because deployment of the SRS frontal airbag would not help the occupant in those situations. The SRS airbag is designed to function on a one-time-only basis.

SRS airbag deployment depends on the level of force experienced in the passenger compartment during a collision. That level differs from one type of collision to another, and it may have no bearing on the visible damage done to the vehicle itself.

▽ **Examples of accident in which the SRS frontal airbag will most likely deploy.**

A head-on collision against a thick concrete wall at a vehicle speed of 12 to 19 mph (20 to 30 km/h) activates the SRS frontal airbag and the seatbelt pretensioner. The SRS frontal airbag and seatbelt pretensioner will also be activated when the vehicle is exposed to a frontal impact similar in fashion and magnitude to the above-mentioned collision.

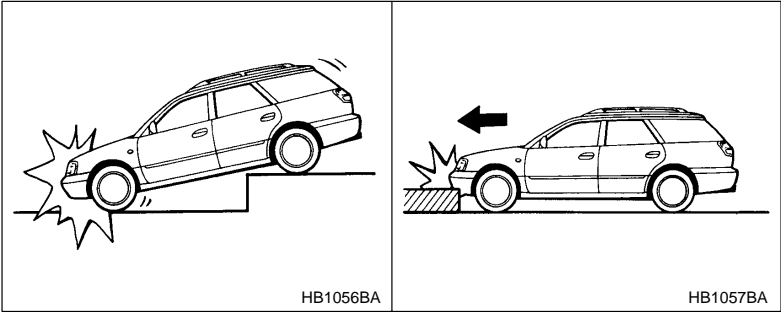


HB1055BA

– CONTINUED –

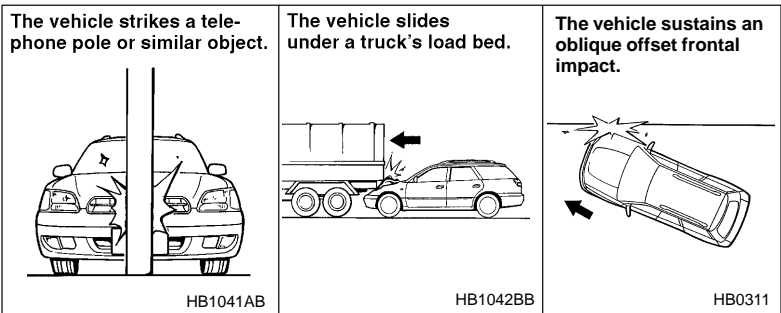
▽ Examples of the types of accidents in which it is possible that the SRS frontal airbag will deploy.

The SRS frontal airbag and seatbelt pretensioner may be activated when the vehicle sustains a hard impact in the undercarriage area from the road surface (such as when the vehicle plunges into a deep ditch, is severely bumped or knocked hard against an obstacle on the road such as a curb).



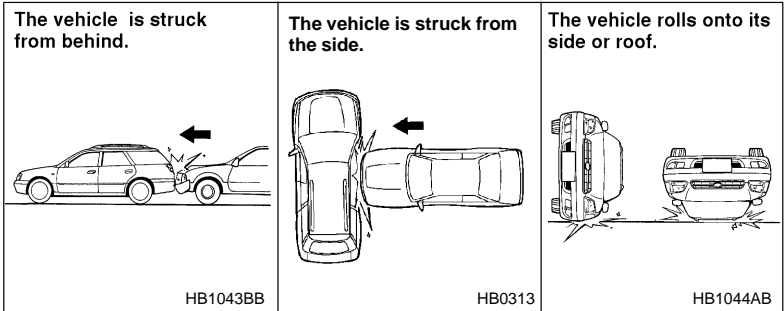
▽ Examples of the types of accidents in which the SRS frontal airbag is unlikely to deploy.

There are many types of collisions which might not necessarily require SRS frontal airbag deployment. If the vehicle strikes an object, such as a telephone pole or sign pole, or if it slides under a truck's load bed, or if it sustains an oblique offset frontal impact, the SRS frontal airbag may not deploy depending on the level of accident forces involved.



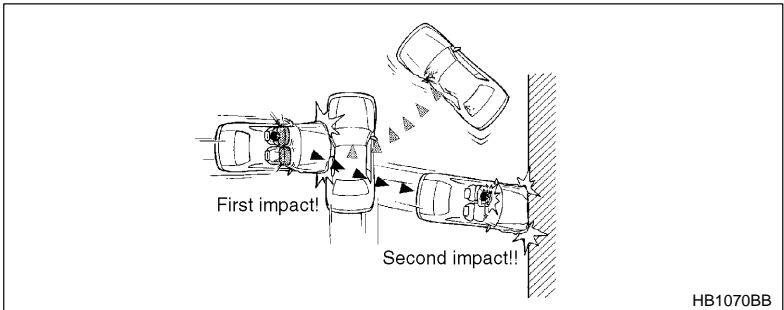
▽ **Examples of the types of accidents in which the SRS frontal airbag will basically not deploy.**

The SRS frontal airbag is basically not designed to deploy if the vehicle is struck from side or from behind, or if it rolls onto its side or roof, or if it is involved in a low-speed frontal collision.



In an accident where the vehicle is impacted more than once, the SRS frontal airbag deploys only once on the first impact.


Example: In the case of a double collision, first with another vehicle, then against a concrete wall in immediate succession, the SRS frontal airbag is activated on the first impact but not on the second.

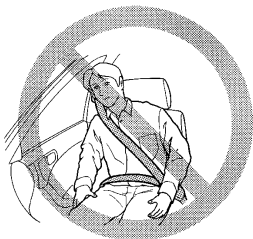


■ SRS side airbag (if equipped)


WARNING

- The SRS side airbag is designed as only a supplement to the primary protection provided by the seatbelt. It does not do away with the need to fasten seatbelts. It is also important to wear your seatbelt to help avoid injuries that can result when an occupant is not seated in a proper upright position.
- Do not sit or lean unnecessarily close to either front door. The SRS side airbag is stored in both front seat seatbacks next to the door, and it provides protection by deploying rapidly (faster than the blink of an eye) in the event of a side impact collision. However, the force of SRS side airbag deployment may cause injuries if your head or other body parts are too close to the SRS side airbag.
- Do not rest your arm on either front door or its internal trim. It could be injured in the event of SRS side airbag deployment.
- Never allow a child to kneel on the front passenger's seat facing the side window or to wrap his/her arms around the front seat seatback. In the event of an accident, the force of SRS side airbag deployment could seriously injure or even kill the child because his/her head or arms or other body parts are close to the side airbag. Since your vehicle is also equipped with a passenger's SRS frontal airbag, children aged 12 and under should be placed in the rear seat anyway and should be properly restrained at all times.

 Do not sit or lean unnecessary close to the front door.



HB0352

 Do not rest your arm on either front door or its internal trim.




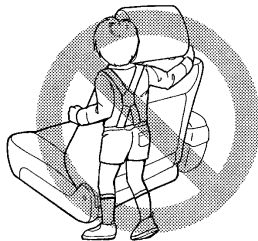
HB0353

 Never allow a child to kneel on the front passenger's seat facing the side window.



HB0354

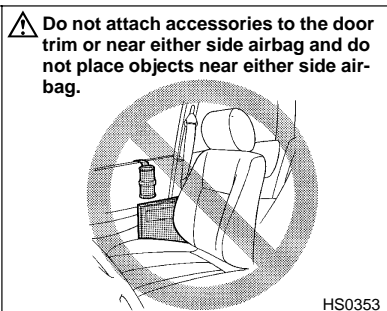
 Never allow a child to wrap his/her arms around the front seatback.



HB0355

WARNING

- Do not attach accessories to the door trim or near either SRS side airbags and do not place objects near the SRS side airbags. In the event of the SRS side airbag deployment, they could be propelled dangerously toward the vehicle's occupants and cause injuries.
- Do not put any kind of cover or clothes or other objects over either front seatback and do not attach labels or stickers to the front seat surface on or near the SRS side airbag. They could prevent proper deployment of the SRS side airbag, reducing protection available to the front seat's occupant.



The SRS side airbag is stored in the door side of each front seatback, which bears an “SRS AIRBAG” label.

In a moderate to severe side impact collision, the SRS side airbag on the impacted side of the vehicle deploys between the occupant and the door panel and supplements the seatbelt by reducing the impact on the occupant's chest.

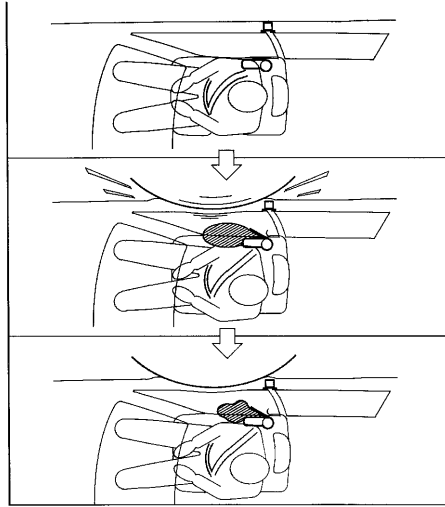
▼ Operation

⚠ CAUTION

Do not touch the SRS side airbag system components around the front seatback with bare hands right after deployment. Doing so can cause burns because the components can be very hot as a result of deployment.

SRS side airbag deploys as soon as a collision occurs.

After deployment, SRS side airbag starts to deflate immediately.



HB0359

The SRS side airbag can function only when the ignition switch is in the "ON" position.

The driver's and front passenger's SRS side airbags deploy independently of each other since each has its own impact sensor. Also, the SRS side airbag deploys independently of the frontal airbags in the steering wheel and instrument panel.

An impact sensor is incorporated into each of the vehicle's center pillars. If either sensor detects a certain predetermined amount of force during a side impact collision, the control module sends a signal to the side airbag module on the impacted side of the vehicle, instructing it to inflate the SRS side airbag. Then the side airbag module produces gas, which instantly inflates the SRS side airbag. After the deployment, the SRS side airbag immediately starts to deflate. The time required from detecting impact to deflating of the SRS side airbag after deployment is shorter than the blink of eye.

The SRS side airbag deploys even when no one occupies the seat on the side of which an impact is applied.

– CONTINUED –

When the SRS side airbag deploys, a sudden, fairly loud inflation noise will be heard and some smoke will be released. These occurrences are normal result of the deployment. This smoke does not indicate a fire in the vehicle.

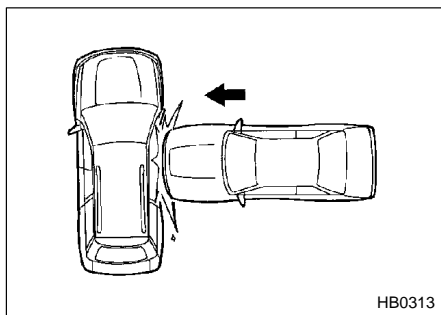
The SRS side airbag is designed to deploy in the event of an accident involving a moderate to severe side impact collision. It is basically not designed to deploy in lesser side impact impacts because the necessary protection can be achieved by the seatbelt alone. Also, it is basically not designed to deploy in frontal or rear impacts because SRS side airbag deployment would not help the occupant in those situations.

Each SRS side airbag is designed to function on a one-time-only basis.

SRS side airbag deployment depends on the level of force experienced in the passenger compartment during a side impact collision. That level differs from one type of collision to another, and it may have no bearing on the visible damage done to the vehicle itself.

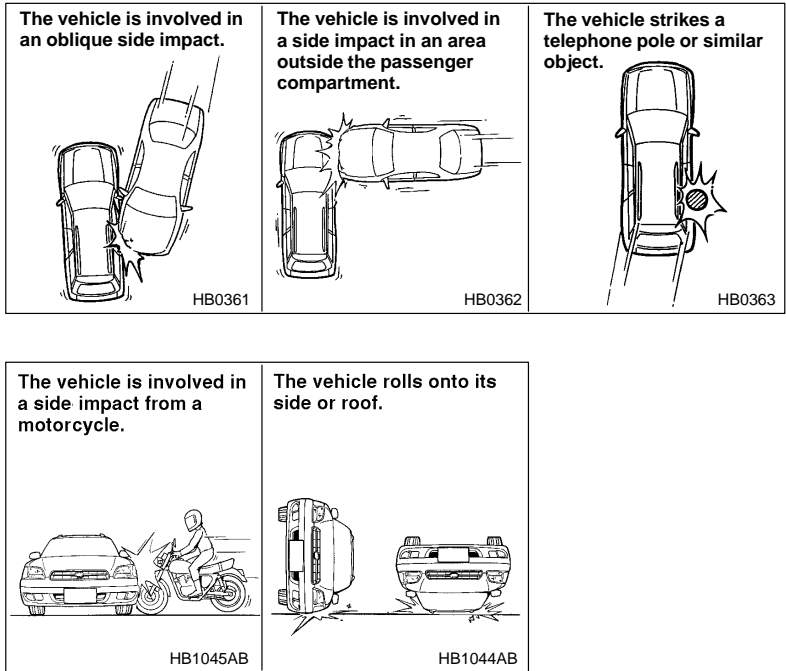
▽ **Example of the type of accident in which the SRS side airbag will most likely deploy.**

A severe side impact near the front seat activates the SRS side airbag.



▽ **Examples of the types of accidents in which the SRS side airbag is unlikely to deploy.**

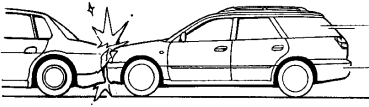
There are many types of collisions which might not necessarily require SRS side airbag deployment. In the event of accidents like those illustrated below, the SRS side airbag may not deploy depending on the level of accident forces involved.



▽ **Examples of the types of accidents in which the SRS side airbag will basically not deploy.**

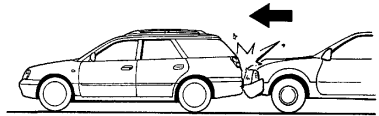
The SRS side airbag is basically not designed to deploy if the vehicle is involved in a frontal collision or is struck from behind. Examples of such accidents are illustrated below.

The vehicle is involved in a frontal collision with another vehicle (moving or stationary).



HB1046AB

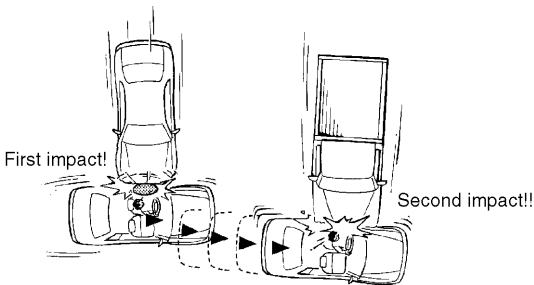
The vehicle is struck from behind.



HB1043BB

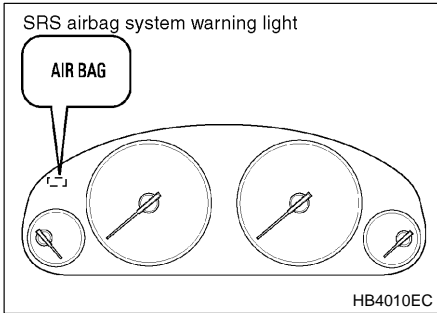
In an accident where the vehicle is struck from the side more than once, the SRS side airbag deploys only once on the first impact.

Example: In the case of a double side impact collision, first with one vehicle and immediately followed by another from the same direction, the SRS side airbag is activated on the first impact but not on the second.



HB1071BB

■ SRS airbag system monitors



A diagnostic system continually monitors the readiness of the SRS airbag system (including front seatbelt pretensioners) while the vehicle is being driven. The SRS airbag system warning light "AIRBAG" will show normal system operation by lighting for about 6 seconds when the ignition key is turned to the "ON" position.

The following components are monitored by the indicator:

- Front sub sensor (Right hand side)
- Front sub sensor (Left hand side)
- Airbag control module (including impact sensors)
- Frontal airbag module (Driver's side)
- Frontal airbag module (Passenger's side)
- Side airbag sensor (Driver's side — if equipped)
- Side airbag sensor (Passenger's side — if equipped)
- Side airbag module (Driver's side — if equipped)
- Side airbag module (Passenger's side — if equipped)
- Seatbelt pretensioner (Driver's side)
- Seatbelt pretensioner (Passenger's side)
- All related wiring

In the event of a malfunction indicated by any of following, the vehicle should be taken promptly to your nearest SUBARU dealer to have the system checked. Unless checked and repaired, the SRS airbags will not function reliably:

– CONTINUED –

-
- Flashing or flickering of the indicator light.
 - No illumination of the warning light when the ignition switch is first turned to the "ON" position.
 - Continuous illumination of the warning light.
 - Illumination of the warning light while driving.

■ SRS airbag system servicing

WARNING

- When discarding an airbag module or scrapping the entire car damaged by a collision, consult your SUBARU dealer.
- The SRS airbag has no user-serviceable parts. Do not use electrical test equipment on any circuit related to the SRS airbag system. For required servicing of the SRS airbag, see your nearest SUBARU dealer. Tampering with or disconnecting the system's wiring could result in accidental inflation of the SRS airbag or could make the system inoperative, which may result in serious injury. The wiring harnesses of the SRS airbag system are covered with yellow insulation and system connectors are yellow for easy identification.

CAUTION

If you need service or repair in areas listed below, we recommend that you have an authorized SUBARU dealer perform the work. The SRS airbag control module, impact sensors and airbag modules are stored in these areas.

- Under the center console
- Inside each front fender
- Steering wheel and column and nearby areas
- Top of the dashboard on front passenger's side and nearby areas
- Each front seat and nearby area (only for vehicle with SRS side airbags)
- Inside each center pillar

In the event that the SRS airbag is deployed, replacement of the system should be performed only by an authorized SUBARU dealer. When the components of the SRS airbag system are replaced, use only genuine SUBARU parts.

To ensure their long-term reliability, the SRS airbags must be inspected by a SUBARU dealer ten years after the date of manufacture, which is shown on the certification label attached to the driver's door.

NOTE

In the following cases, contact your SUBARU dealer as soon as possible.

- The front part of the vehicle was involved in an accident in which the SRS frontal airbags did not deploy.
- The pad section of the steering wheel or front passenger's frontal airbag cover is scratched, cracked, or otherwise damaged.

In addition, if your vehicle is equipped with SRS side airbags, contact your SUBARU dealer as soon as possible in the following cases.

- Either center pillar or a nearby area of the vehicle was involved in an accident in which the SRS side airbag did not deploy.
- The fabric or leather of either front seatback is cut, frayed, or otherwise damaged.

■ Precautions against vehicle modification



WARNING

● To avoid accidental activation of the system or rendering the system inoperative, which may result in serious injury, no modifications should be made to any components or wiring of the SRS airbag system.

This includes following modifications:

- Installation of custom steering wheels
- Attachment of additional trim materials to the dashboard
- Installation of custom seats (only for vehicles with SRS side

airbags)

- Replacement of seat fabric or leather (only for vehicles with SRS side airbags)
- Installation of additional fabric or leather on the front seat (only for vehicles with SRS side airbags)
- Installation of additional electrical/electronic equipment such as a mobile two-way radio on or near the SRS airbag system components and/or wiring is not advisable. This could interfere with proper operation of the SRS airbag system.

 **CAUTION**

Do not perform any of the following modifications. Such modifications can interfere with proper operation of the SRS airbag system.

- Attachment of any equipment (brush bar, winches, snow plow, skid plate, etc.) other than SUBARU genuine accessory parts to the front end.
- Modification of the suspension system or front end structure.
- Installation of a tire of different size and construction from the original tires listed on the tire placard attached to the door jamb.
- Attachment of any equipment (side steps or side sill protectors, etc.) other than SUBARU genuine accessory parts to the side body (only for vehicles with side airbags).

Always consult your SUBARU dealer if you want to install any accessory parts to your vehicle.