

# Specifications

---

|                                                           |              |
|-----------------------------------------------------------|--------------|
| <b>Specifications</b> .....                               | <b>12-2</b>  |
| <b>Dimensions</b> .....                                   | <b>12-2</b>  |
| <b>Engine</b> .....                                       | <b>12-3</b>  |
| <b>Electrical system</b> .....                            | <b>12-3</b>  |
| <b>Capacities</b> .....                                   | <b>12-3</b>  |
| <b>Tires</b> .....                                        | <b>12-4</b>  |
| <b>Wheel alignment</b> .....                              | <b>12-5</b>  |
| <b>Fuses and circuits</b> .....                           | <b>12-6</b>  |
| <b>Fuse panel located behind the coin tray</b> .....      | <b>12-6</b>  |
| <b>Fuse panel located in the engine compartment</b> ..... | <b>12-8</b>  |
| <b>Bulb chart</b> .....                                   | <b>12-10</b> |
| <b>Vehicle identification</b> .....                       | <b>12-11</b> |

---

## Specifications

---

These specifications are subject to change without notice.

### ■ Dimensions

#### Legacy sedan

|                  |                     |
|------------------|---------------------|
| Overall length   | 184.4 in (4,685 mm) |
| Overall width    | 68.7 in (1,745 mm)  |
| Overall height   | 55.7 in (1,415 mm)  |
| Ground clearance | 6.1 in (155 mm)     |
| Front tread      | 57.5 in (1,460 mm)  |
| Rear tread       | 57.5 in (1,460 mm)  |
| Wheelbase        | 104.3 in (2,650 mm) |

#### Legacy station wagon

|                  |                     |
|------------------|---------------------|
| Overall length   | 187.4 in (4,760 mm) |
| Overall width    | 68.7 in (1,745 mm)  |
| Overall height   | 56.6 in (1,435 mm)  |
|                  | 59.6 in (1,525 mm)* |
| Ground clearance | 6.3 in (160 mm)     |
| Front tread      | 57.5 in (1,460 mm)  |
| Rear tread       | 57.3 in (1,455 mm)  |
| Wheelbase        | 104.3 in (2,650 mm) |

\*: With roof rail

#### OUTBACK sedan

|                  |                     |
|------------------|---------------------|
| Overall length   | 184.4 in (4,685 mm) |
| Overall width    | 68.7 in (1,745 mm)  |
| Overall height   | 58.3 in (1,480 mm)  |
| Ground clearance | 7.3 in (185 mm)     |
| Front tread      | 57.9 in (1,470 mm)  |
| Rear tread       | 57.7 in (1,465 mm)  |
| Wheelbase        | 104.3 in (2,650 mm) |

**OUTBACK station wagon**

|                  |                     |
|------------------|---------------------|
| Overall length   | 187.4 in (4,760 mm) |
| Overall width    | 68.7 in (1,745 mm)  |
| Overall height   | 62.2 in (1,580 mm)  |
| Ground clearance | 7.3 in (185 mm)     |
| Front tread      | 57.9 in (1,470 mm)  |
| Rear tread       | 57.7 in (1,465 mm)  |
| Wheelbase        | 104.3 in (2,650 mm) |

**■ Engine**

**2.5 liter**

|                     |                                                                             |
|---------------------|-----------------------------------------------------------------------------|
| Engine model        | EJ251                                                                       |
| Engine type         | Horizontally opposed, liquid cooled<br>4 cylinder, 4 stroke gasoline engine |
| Engine displacement | 2,457 cc (149.9 cu in.)                                                     |
| Bore                | 3.92 in (99.5 mm)                                                           |
| Stroke              | 3.11 in (79.0 mm)                                                           |
| Compression ratio   | 10.0 : 1                                                                    |
| Firing order        | 1 - 3 - 2 - 4                                                               |

**■ Electrical system**

|                           |                                                                                      |
|---------------------------|--------------------------------------------------------------------------------------|
| Battery type and capacity |                                                                                      |
|                           | MT: 55D23L                                                                           |
|                           | AT: 75D23L                                                                           |
| Alternator                | 12V-90A                                                                              |
| Spark plugs type          | RC10YC4 (Champion)<br>RC8YC4 (Champion)<br>BKR6E-11 (NGK)<br>K20PR-U11 (NIPPONDENSO) |

**■ Capacities**

|                         |                                       |
|-------------------------|---------------------------------------|
| Fuel tank               | 16.9 US gal (64 liters, 14.1 Imp gal) |
| Engine oil              | 4.2 US qt (4.0 liters, 3.5 Imp qt)    |
| Transmission oil (MT)   | 3.7 US qt (3.5 liters, 3.1 Imp qt)    |
| Transmission fluid (AT) | 9.8 US qt (9.3 liters, 8.2 Imp qt)    |

**– CONTINUED –**

|                            |    |                                    |
|----------------------------|----|------------------------------------|
| AT differential gear oil   |    | 1.3 US qt (1.2 liters, 1.1 Imp qt) |
| Rear differential gear oil |    | 0.8 US qt (0.8 liter, 0.7 Imp qt)  |
| Power steering gear fluid  |    | 0.7 US qt (0.7 liter, 0.6 Imp qt)  |
| Engine coolant             | MT | 7.2 US qt (6.8 liters, 6.0 Imp qt) |
|                            | AT | 7.1 US qt (6.7 liters, 5.9 Imp qt) |

## ■ Tires

### Legacy

|            |                 |                                                 |
|------------|-----------------|-------------------------------------------------|
| Type       |                 | Steel belted radial, Tubeless                   |
| Size       | Brighton        | P195/60R15 87H                                  |
|            | L               | P205/60R15 90H                                  |
|            | GT              | P205/55R16 89H                                  |
|            | Temporary spare | T135/70D16                                      |
| Pressure   |                 |                                                 |
| Front      | Brighton        | 33 psi (230 kPa, 2.3 kg/cm <sup>2</sup> )       |
|            | GT, L           | 32 psi (220 kPa, 2.2 kg/cm <sup>2</sup> )       |
| Rear       | Brighton        | 32 psi (220 kPa, 2.2 kg/cm <sup>2</sup> )       |
|            | GT, L           | 30 psi (210 kPa, 2.1 kg/cm <sup>2</sup> )       |
|            | Temporary spare | 60 psi (420 kPa, 4.2 kg/cm <sup>2</sup> )       |
| Wheel size |                 | 15 x 6JJ, 16 x 6 <sup>1</sup> / <sub>2</sub> JJ |

### OUTBACK

|            |                 |                                           |
|------------|-----------------|-------------------------------------------|
| Type       |                 | Steel belted radial, Tubeless             |
| Size       |                 | P225/60R16 97H                            |
|            | Temporary spare | T145/80R16                                |
| Pressure   |                 |                                           |
| Front      |                 | 30 psi (210 kPa, 2.1 kg/cm <sup>2</sup> ) |
|            | Trailer towing  | 30 psi (210 kPa, 2.1 kg/cm <sup>2</sup> ) |
| Rear       |                 | 29 psi (200 kPa, 2.0 kg/cm <sup>2</sup> ) |
|            | Trailer towing  | 32 psi (220 kPa, 2.2 kg/cm <sup>2</sup> ) |
|            | Temporary spare | 60 psi (420 kPa, 4.2 kg/cm <sup>2</sup> ) |
| Wheel size |                 | 16 x 6 <sup>1</sup> / <sub>2</sub> JJ     |

## ■ Wheel alignment

### Legacy sedan

|        |       |                                 |
|--------|-------|---------------------------------|
| Toe    | Front | $0 \pm 0.12$ in ( $0 \pm 3$ mm) |
|        | Rear  | $0 \pm 0.12$ in ( $0 \pm 3$ mm) |
| Camber | Front | $-0^{\circ}05' \pm 30'$         |
|        | Rear  | $-0^{\circ}30' \pm 45'$         |

### Legacy station wagon

|        |       |                                 |
|--------|-------|---------------------------------|
| Toe    | Front | $0 \pm 0.12$ in ( $0 \pm 3$ mm) |
|        | Rear  | $0 \pm 0.12$ in ( $0 \pm 3$ mm) |
| Camber | Front | $-0^{\circ}05' \pm 30'$         |
|        | Rear  | $-0^{\circ}20' \pm 45'$         |

### OUTBACK sedan

|        |       |                                 |
|--------|-------|---------------------------------|
| Toe    | Front | $0 \pm 0.12$ in ( $0 \pm 3$ mm) |
|        | Rear  | $0 \pm 0.12$ in ( $0 \pm 3$ mm) |
| Camber | Front | $0^{\circ}20' \pm 30'$          |
|        | Rear  | $-0^{\circ}10' \pm 45'$         |

### OUTBACK station wagon

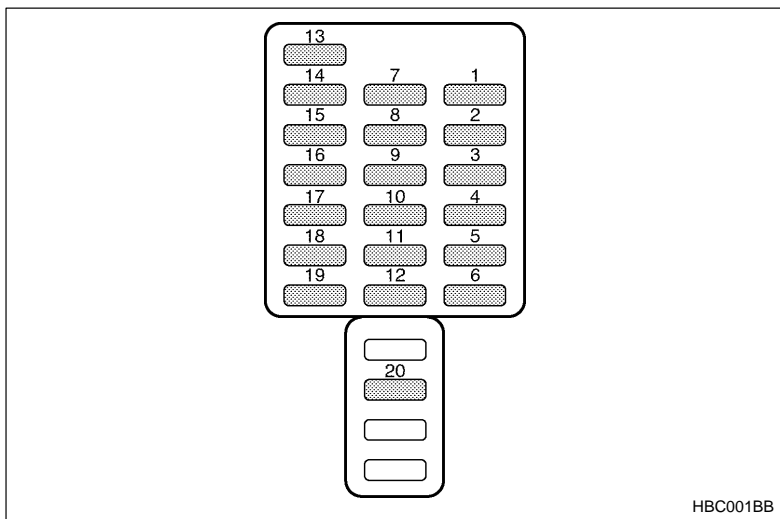
|        |       |                                 |
|--------|-------|---------------------------------|
| Toe    | Front | $0 \pm 0.12$ in ( $0 \pm 3$ mm) |
|        | Rear  | $0 \pm 0.12$ in ( $0 \pm 3$ mm) |
| Camber | Front | $0^{\circ}20' \pm 30'$          |
|        | Rear  | $-0^{\circ}10' \pm 45'$         |

---

## Fuses and circuits

---

### ■ Fuse panel located behind the coin tray



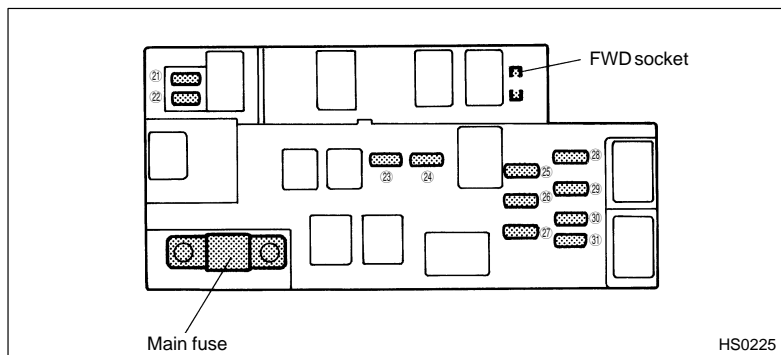
---

| Fuse panel | Fuse rating | Circuit                                                      |
|------------|-------------|--------------------------------------------------------------|
| 1          | 15A         | ● Heater fan                                                 |
| 2          | 15A         | ● Heater fan                                                 |
| 3          | 15A         | ● Power door lock<br>● Keyless entry                         |
| 4          | 20A         | ● Cigarette lighter<br>● Remote controlled rear view mirrors |
| 5          | 10A         | ● Tail light<br>● Parking light                              |
| 6          | 15A         | ● SRS airbag                                                 |

---

| <b>Fuse panel</b> | <b>Fuse rating</b> | <b>Circuit</b>                                      |
|-------------------|--------------------|-----------------------------------------------------|
| 7                 | 15A                | ● Front fog light                                   |
| 8                 | 30A                | ● ABS solenoid                                      |
| 9                 | 15A                | ● Radio<br>● Clock                                  |
| 10                | 15A                | ● Trailer                                           |
| 11                | 15A                | ● Engine ignition system<br>● SRS airbag            |
| 12                | 10A                | ● Illumination brightness control                   |
| 13                | 15A                | ● Fuel pump                                         |
| 14                | 10A                | ● Rear window wiper and washer                      |
| 15                | 30A                | ● Windshield wiper and washer                       |
| 16                | 20A                | ● Brake light                                       |
| 17                | 15A                | ● Air conditioner                                   |
| 18                | 15A                | ● Backup light<br>● Cruise control<br>● ABS control |
| 19                | 20A                | ● Mirror heater<br>● Wiper deicer                   |
| 20                | 20A                | ● Accessory power socket<br>● Seat heater           |

## ■ Fuse panel located in the engine compartment



| Fuse panel | Fuse rating | Circuit                                             |
|------------|-------------|-----------------------------------------------------|
| 21         | 20A         | ● Radiator cooling fan (Main)                       |
| 22         | 20A         | ● Radiator cooling fan (Sub)                        |
| 23         | 20A         | ● Rear window defogger                              |
| 24         | 15A         | ● Hazard warning flasher<br>● Horn                  |
| 25         | 15A         | ● Meter<br>● SRS airbag system warning light        |
| 26         | 10A         | ● Automatic transmission control unit<br>● ABS UNIT |
| 27         | 10A         | ● Alternator                                        |
| 28         | 15A         | ● Headlight (right side)                            |
| 29         | 15A         | ● Headlight (left side)                             |
| 30         | 20A         | ● Lighting switch                                   |



| <b>Fuse panel</b> | <b>Fuse rating</b> | <b>Circuit</b>                                                                   |
|-------------------|--------------------|----------------------------------------------------------------------------------|
| 31                | 15A                | <ul style="list-style-type: none"><li>● Clock</li><li>● Interior light</li></ul> |

---

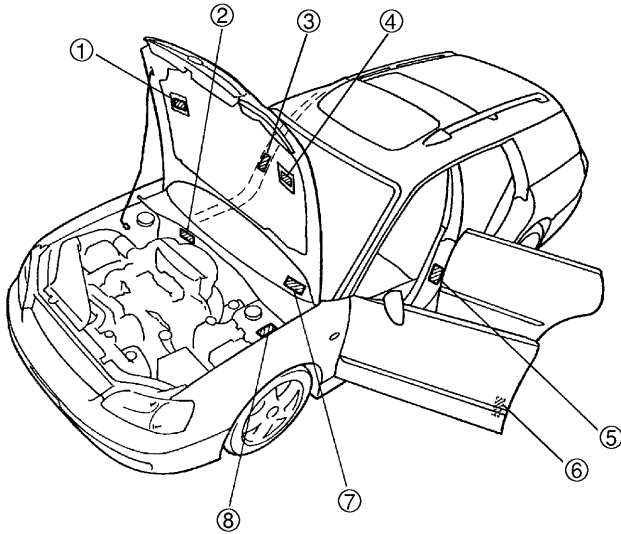
---

## Bulb chart

---

|                                                  | <b>Wattage</b> | <b>Bulb No.</b> |
|--------------------------------------------------|----------------|-----------------|
| Headlight                                        |                |                 |
| GT and OUTBACK                                   |                |                 |
| Low beam                                         | 12V-55W        | H1              |
| High beam                                        | 12V-60W        | 9005 (HB3)      |
| Except GT and OUTBACK                            | 12V-60/55W     | 9007 (HB5)      |
| Front turn signal                                | 12V-27W        | 1156NA (Amber)  |
| Spot light                                       | 12V-8W         | —               |
| Dome light                                       | 12V-8W         | —               |
| Dome light/Rear map reading lights (if equipped) |                |                 |
| Dome light (room light)                          | 12V-8W         | —               |
| Rear map reading lights                          | 12V-3.8W       | 194             |
| Door step light                                  | 12V-3.4W       | —               |
| Parking and front side marker light              | 12V-27/8W      | 1157NA (Amber)  |
| Front fog light                                  |                |                 |
| Except OUTBACK                                   | 12V-55W        | H3              |
| OUTBACK                                          | 12V-51W        | 9006 (HB4)      |
| Backup light                                     |                |                 |
| Sedan                                            | 12V-27W        | 3156K           |
| Station wagon                                    | 12V-27W        | 1156            |
| Luggage area light                               | 12V-13W        | —               |
| High mount stop light                            |                |                 |
| Sedan                                            | 12V-18W        | 921             |
| Station wagon                                    | 12V-13W        | 912             |
| Rear turn signal light                           |                |                 |
| Sedan                                            | 12V-21W        | —               |
| Station wagon                                    | 12V-21W        | R2172 7440      |
| Brake/tail light                                 |                |                 |
| Sedan                                            | 12V-27/8W      | 3157K           |
| Station wagon                                    | 12V-27/8W      | 1157            |
| Licence plate light                              |                |                 |
| Sedan                                            | 12V-5W         | 168             |
| Station wagon                                    | 12V-3.8W or 5W | 194 or 168      |
| Trunk room light                                 | 12V-5W         | W5W             |

## Vehicle identification



HBD002BB

- |                                    |                                       |
|------------------------------------|---------------------------------------|
| ① Emission control label           | ⑤ Tire inflation pressure label       |
| ② Vehicle identification number    | ⑥ Certification and bar cord label    |
| ③ Radio noise label (Canada model) | ⑦ Vehicle identification number plate |
| ④ Vacuum hose connections label    | ⑧ Model number plate                  |