

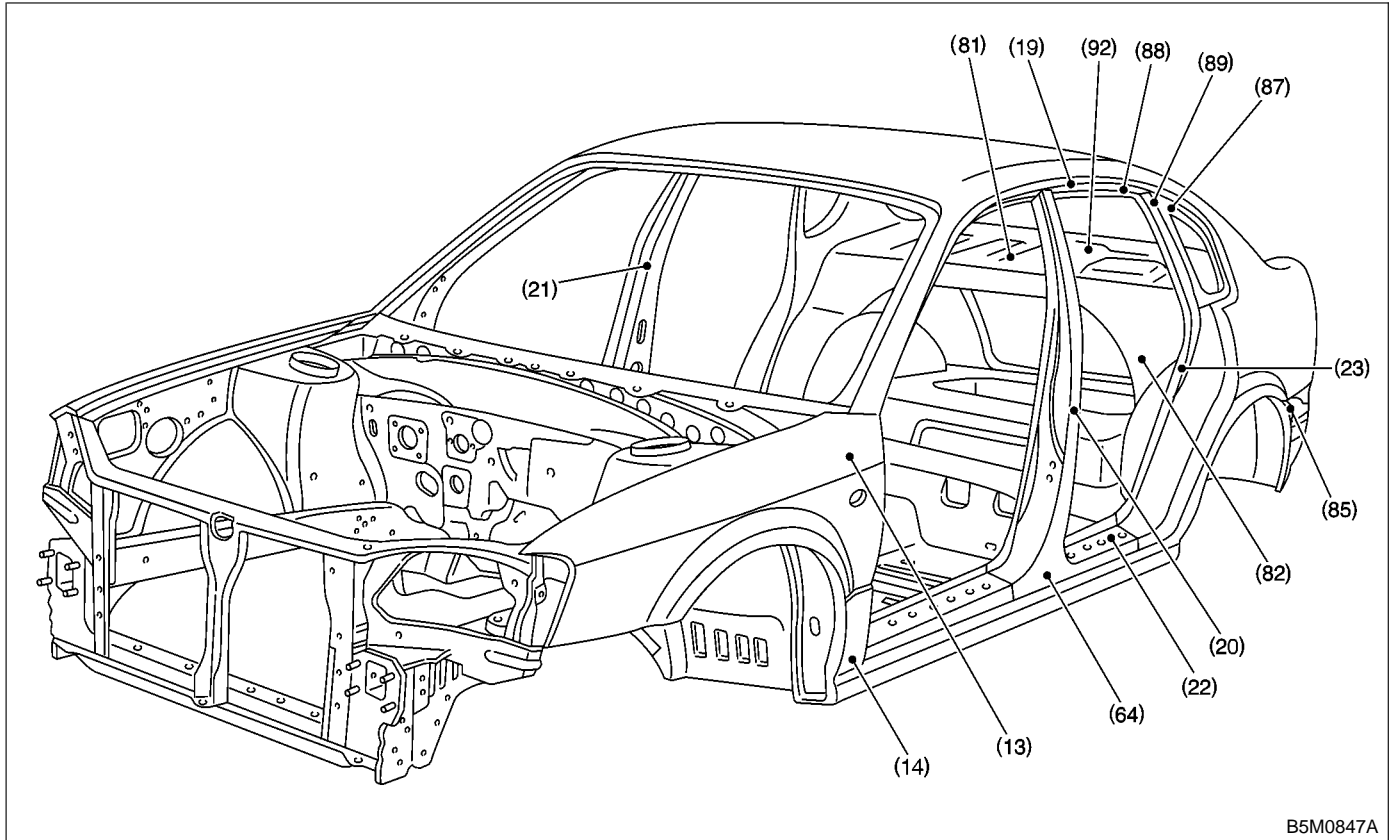
2. Body Datum Points

Various master repair locations are established as datum points used during body repairs. In addition, guide holes, locators and indents are provided to facilitate panel replacement and achieve alignment accuracy.

NOTE:

Left and right datum points are all symmetrical to each other.

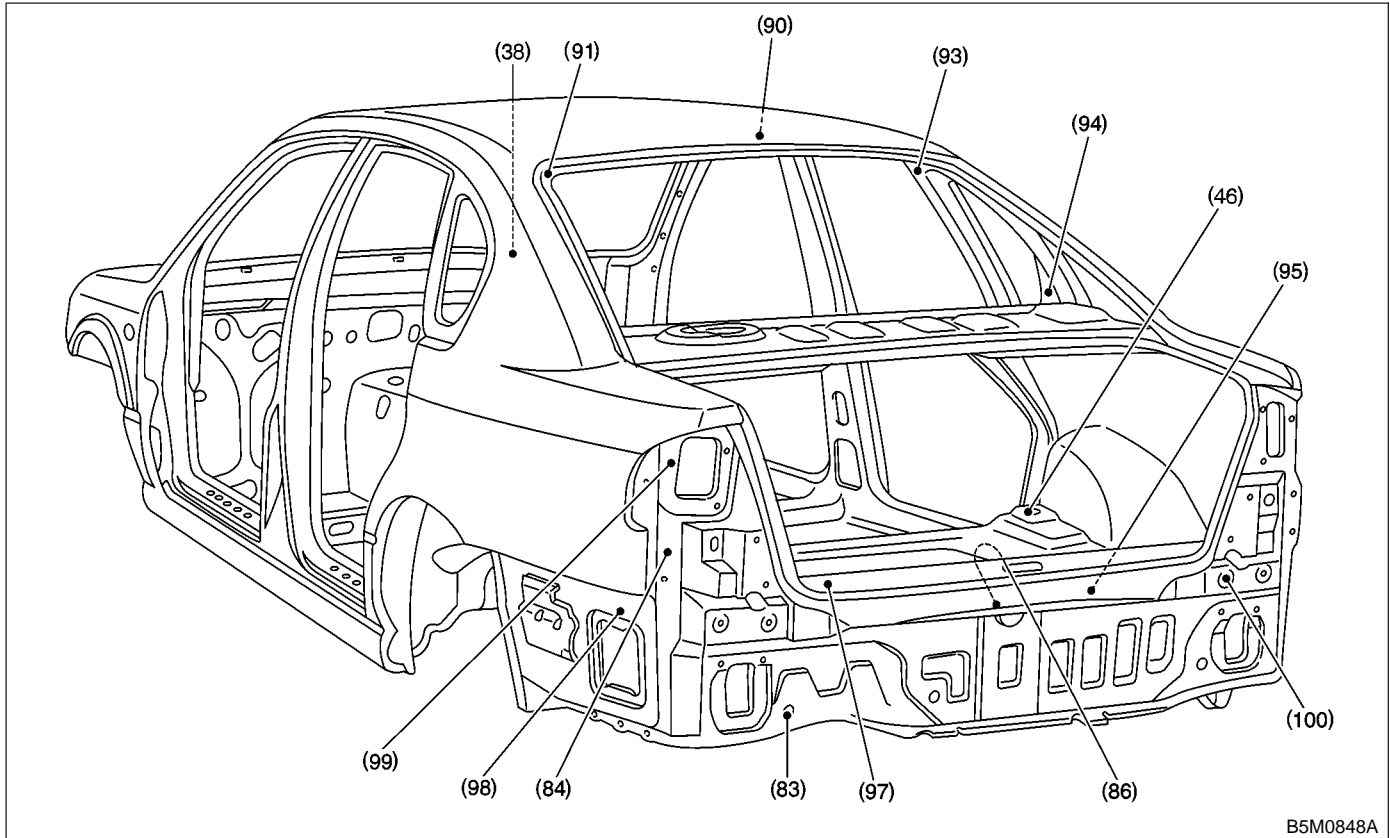
A: ROOM SECTION



B5M0847A

- | | | |
|--|---|---|
| (13) Front fender attaching hole at front pillar center portion M6 | (23) Rear quarter outer door switch attaching hole 20 mm (0.79 in) dia. | (87) Six light upper retainer attaching hole 6.2 mm (0.244 in) dia. |
| (14) Front fender attaching hole at front pillar lower portion M6 | (64) Center pillar (LWR) gauge hole 13 mm (0.51 in) dia. | (88) Retainer attaching square hole at side rail outer 8 × 8 mm (0.31 × 0.31 in) |
| (19) Retainer attaching hole at side rail outer 3.2 mm (0.126 in) dia. | (81) Rear shelf (UPR) center hole 8 mm (0.31 in) dia. | (89) Retainer attaching square hole at rear quarter outer 8 × 8 mm (0.31 × 0.31 in) |
| (20) Center pillar outer hole 14 mm (0.55 in) dia. | (82) Rear side bulk head (UPR) gauge hole 7 mm (0.28 in) dia. | (92) Rear shelf (UPR) hole 6 mm (0.24 in) dia. |
| (21) Front seat belt adjust plate attaching hole M10 | (85) Rear quarter outer gauge hole 20 mm (0.79 in) dia. | |
| (22) Side sill outer hole 20 mm (0.79 in) dia. | | |

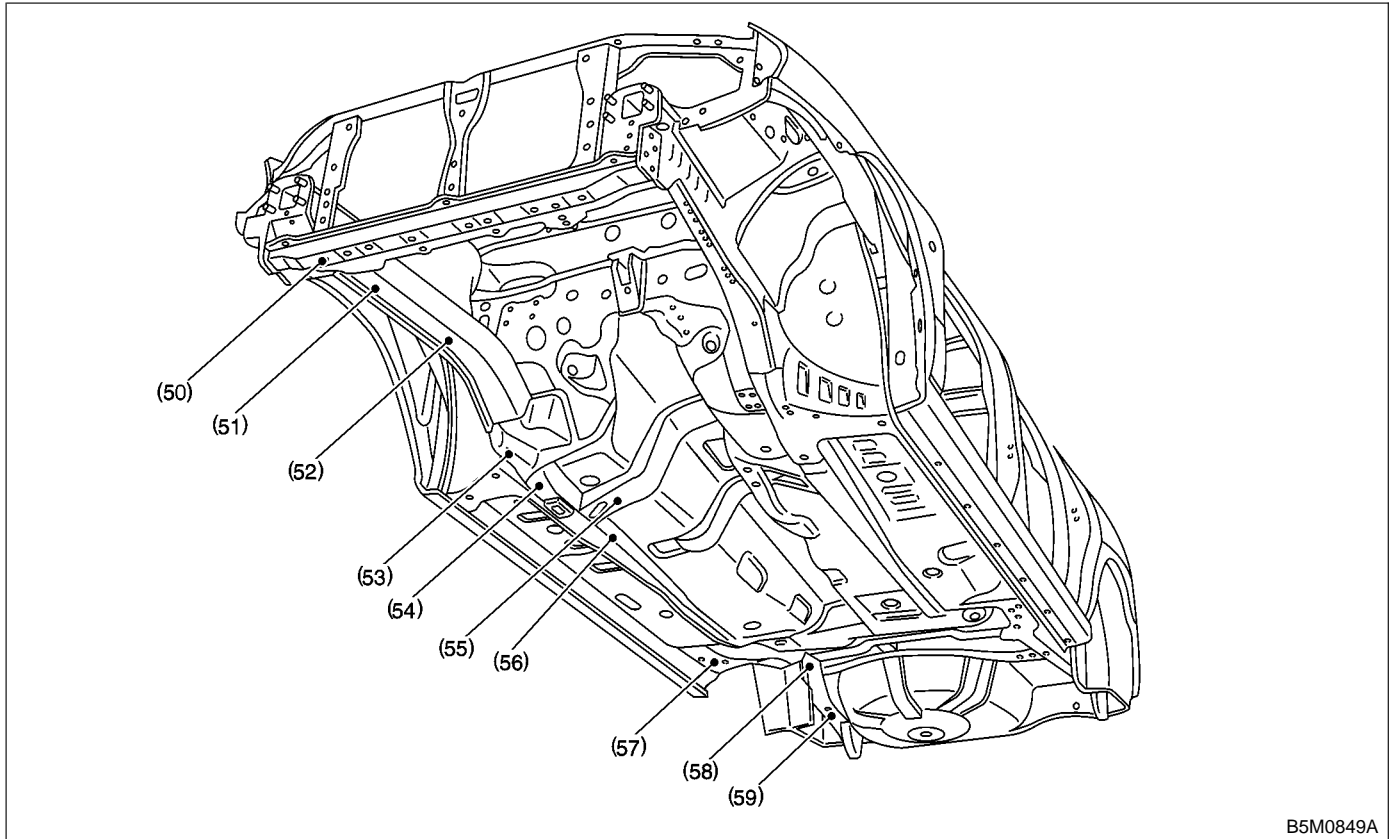
B: REAR SECTION



B5M0848A

- | | | |
|---|--|--|
| (38) Front panel instrument panel attaching hole 18 × 36 mm (0.71 × 1.42 in) dia. oblong hole | (90) Roof trim attaching hole 8 mm (0.31 in) dia. | (95) Rear bumper attaching hole 12.5 × 17 mm (0.492 × 0.669 in) dia. oblong hole |
| (46) Rear shock absorber attaching hole 13 mm (0.51 in) dia. | (91) Rear glass upper locating hole RH: 6.8 mm (0.268 in) dia., LH: 6.8 × 10 mm (0.268 × 0.39 in) dia. oblong hole | (97) Trim attaching hole at rear skirt 7 mm (0.28 in) dia. |
| (83) Rear skirt outer gauge hole 20 mm (0.79 in) dia. | (93) Inner trim attaching hole (UPR) 8 mm (0.31 in) dia. | (98) Rear bumper side attaching hole 6.2 mm (0.244 in) dia. |
| (84) Rear extension attaching hole 6.2 mm (0.244 in) dia. | (94) Inner trim attaching hole (LWR) 8 mm (0.31 in) dia. | (99) Rear combination light mounting hole 8 mm (0.31 in) dia. |
| (86) Skirt rear inner center location hole 7 mm (0.28 in) dia. | | (100) Rear bumper beam attaching hole 8.2 mm (0.323 in) dia. |

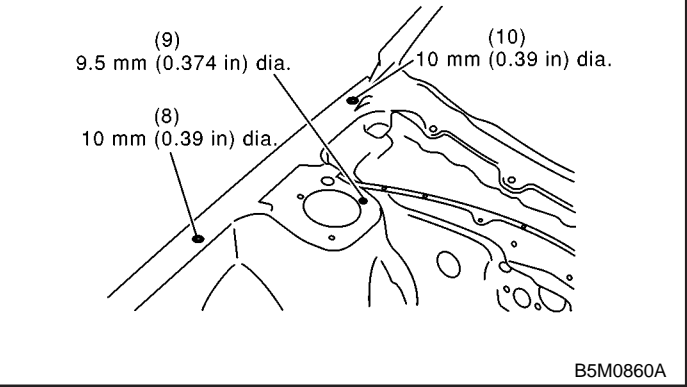
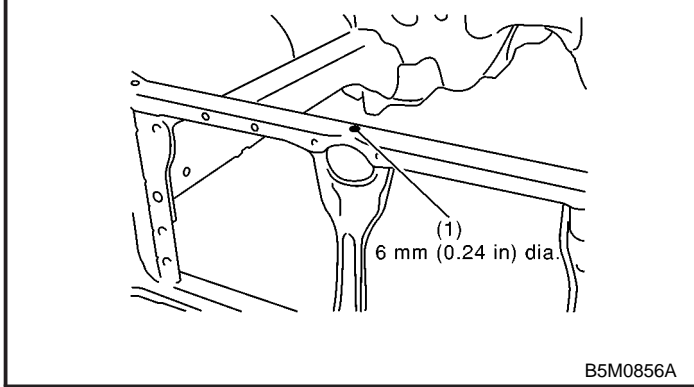
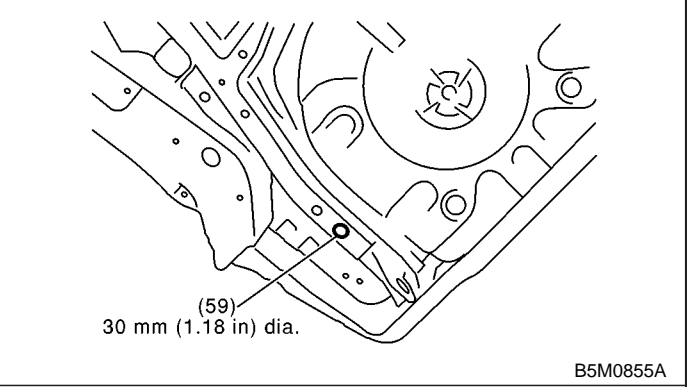
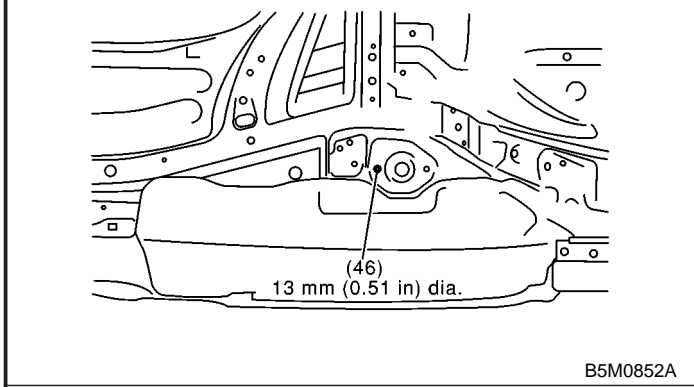
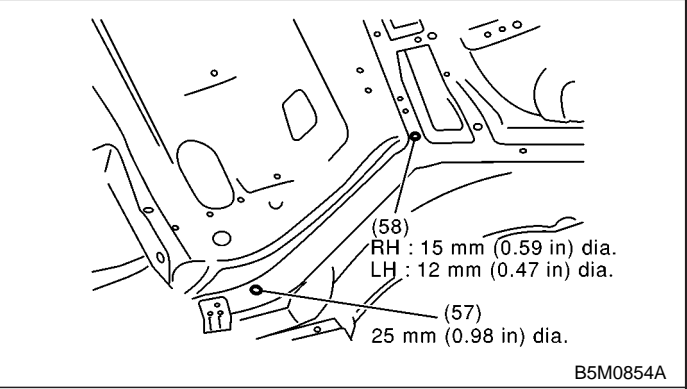
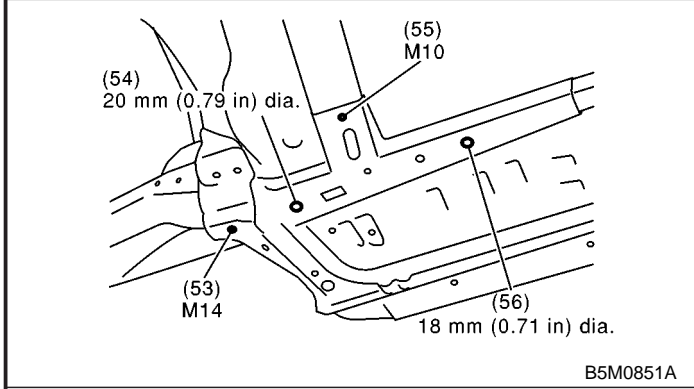
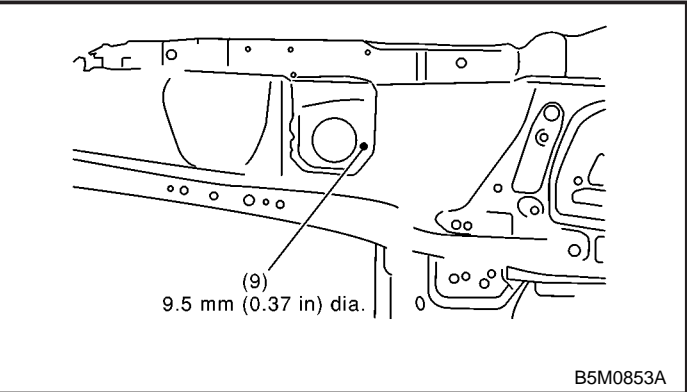
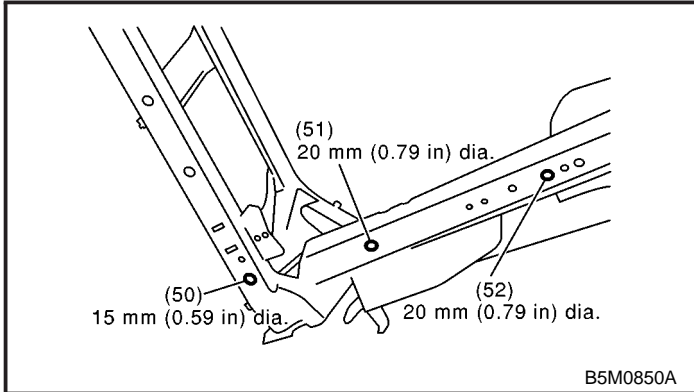
C: UNDERBODY SECTION

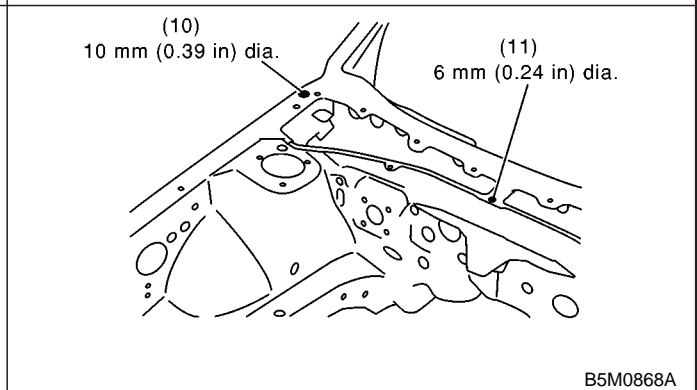
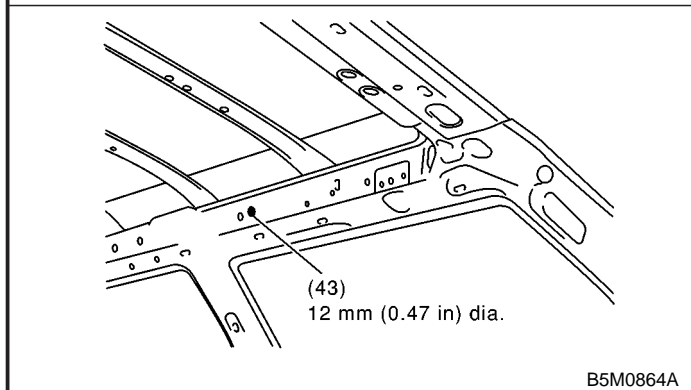
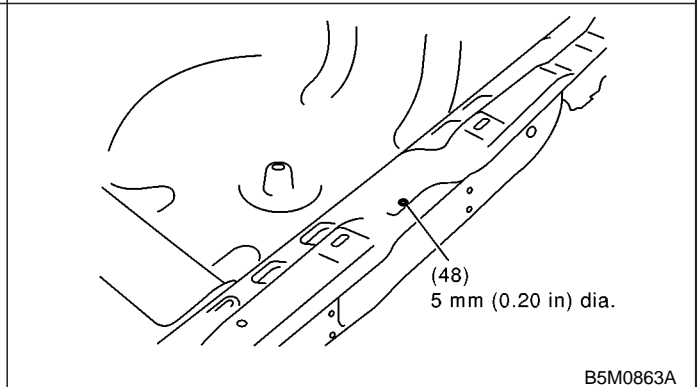
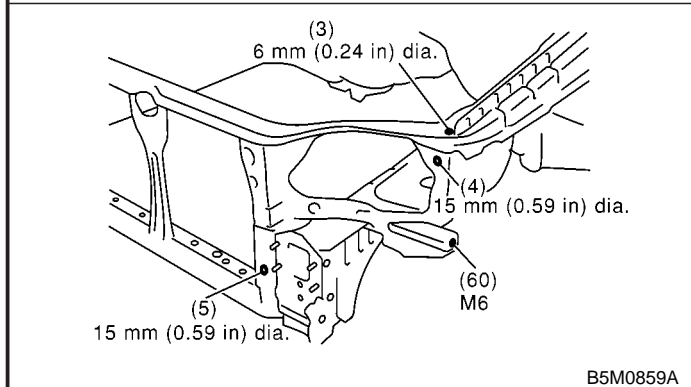
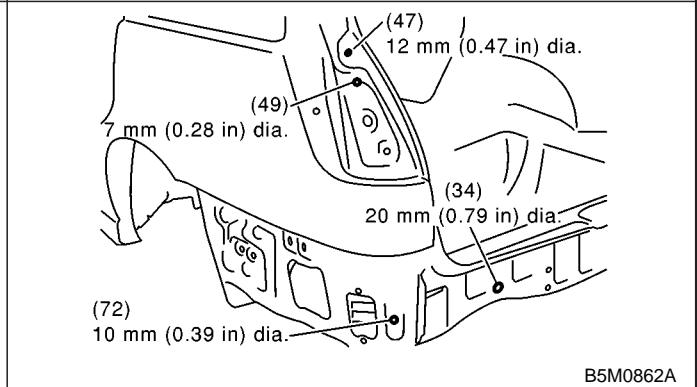
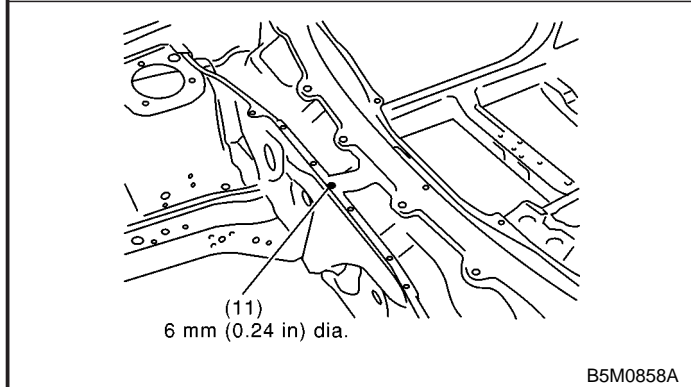
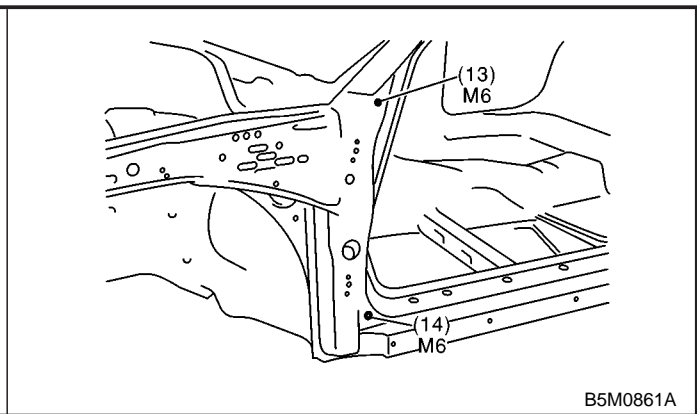
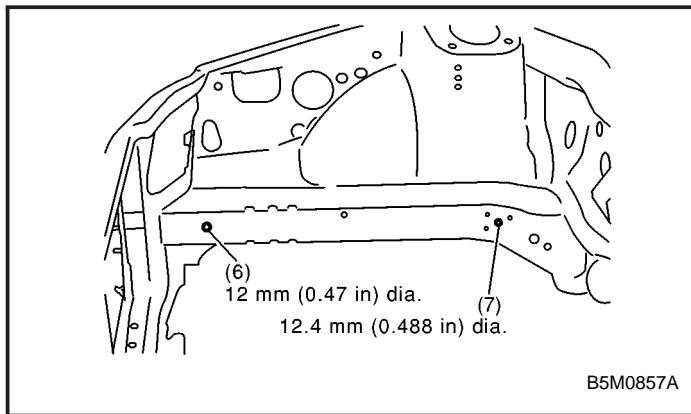


B5M0849A

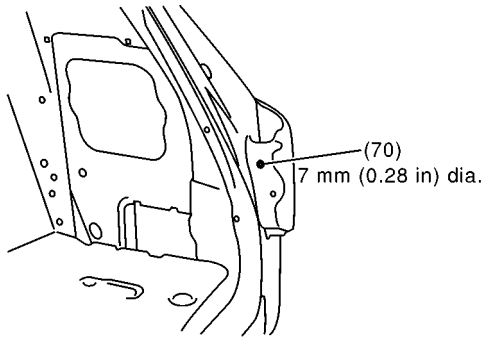
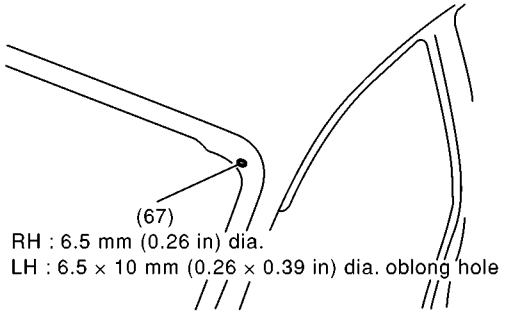
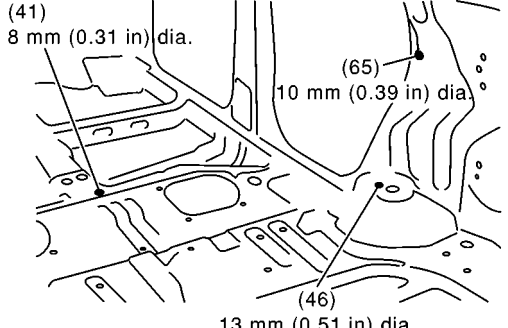
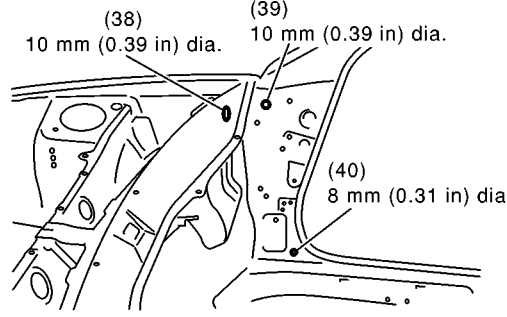
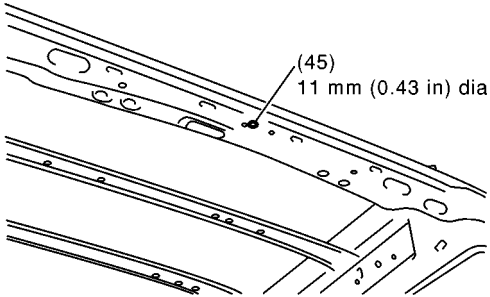
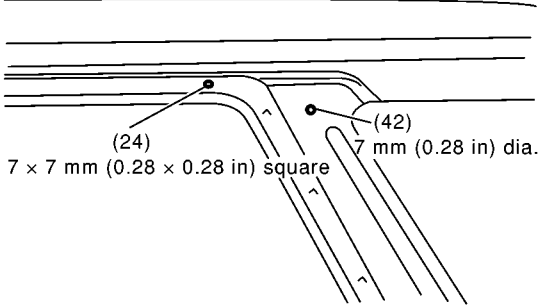
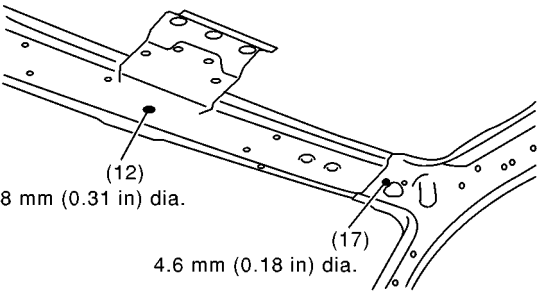
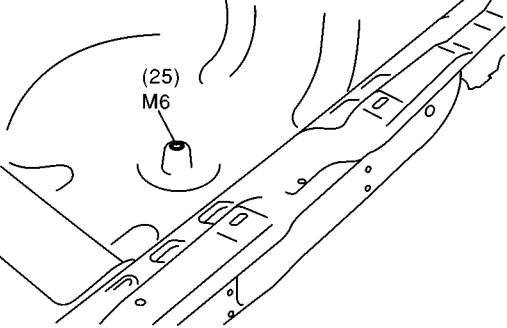
- | | | |
|---|--|--|
| (50) Radiator panel (LWR) frame gauge hole 15 mm (0.59 in) dia. | (54) Front side frame (Rr) gauge hole 20 mm (0.79 in) dia. | (58) Reinforcement crossmember B hole RH: 15 mm (0.59 in) dia., LH: 12 mm (0.47 in) dia. |
| (51) Front side frame (Ft) gauge hole 20 mm (0.79 in) dia. | (55) Crossmember front floor gauge hole M10 | (59) Frame rear floor side gauge hole 30 mm (1.18 in) dia. |
| (52) Front side frame (Ft) gauge hole 20 mm (0.79 in) dia. | (56) Side frame (Rr) gauge hole 18 mm (0.71 in) dia. | |
| (53) Front suspension attaching hole M14 | (57) Frame rear floor side gauge hole 25 mm (0.98 in) dia. | |

D: DATUM POINT LOCATION





2. Body Datum Points

 <p>(70) 7 mm (0.28 in) dia.</p> <p>B5M0865A</p>	 <p>(67) RH : 6.5 mm (0.26 in) dia. LH : 6.5 x 10 mm (0.26 x 0.39 in) dia. oblong hole</p> <p>B5M0869A</p>
 <p>(41) 8 mm (0.31 in) dia.</p> <p>(65) 10 mm (0.39 in) dia.</p> <p>(46) 13 mm (0.51 in) dia.</p> <p>B5M0866A</p>	 <p>(38) 10 mm (0.39 in) dia.</p> <p>(39) 10 mm (0.39 in) dia.</p> <p>(40) 8 mm (0.31 in) dia.</p> <p>B5M0882A</p>
 <p>(45) 11 mm (0.43 in) dia.</p> <p>B5M0867A</p>	 <p>(24) 7 x 7 mm (0.28 x 0.28 in) square</p> <p>(42) 7 mm (0.28 in) dia.</p> <p>B5M0871A</p>
 <p>(12) 8 mm (0.31 in) dia.</p> <p>(17) 4.6 mm (0.18 in) dia.</p> <p>B5M0872A</p>	 <p>(25) M6</p> <p>B5M0876A</p>

