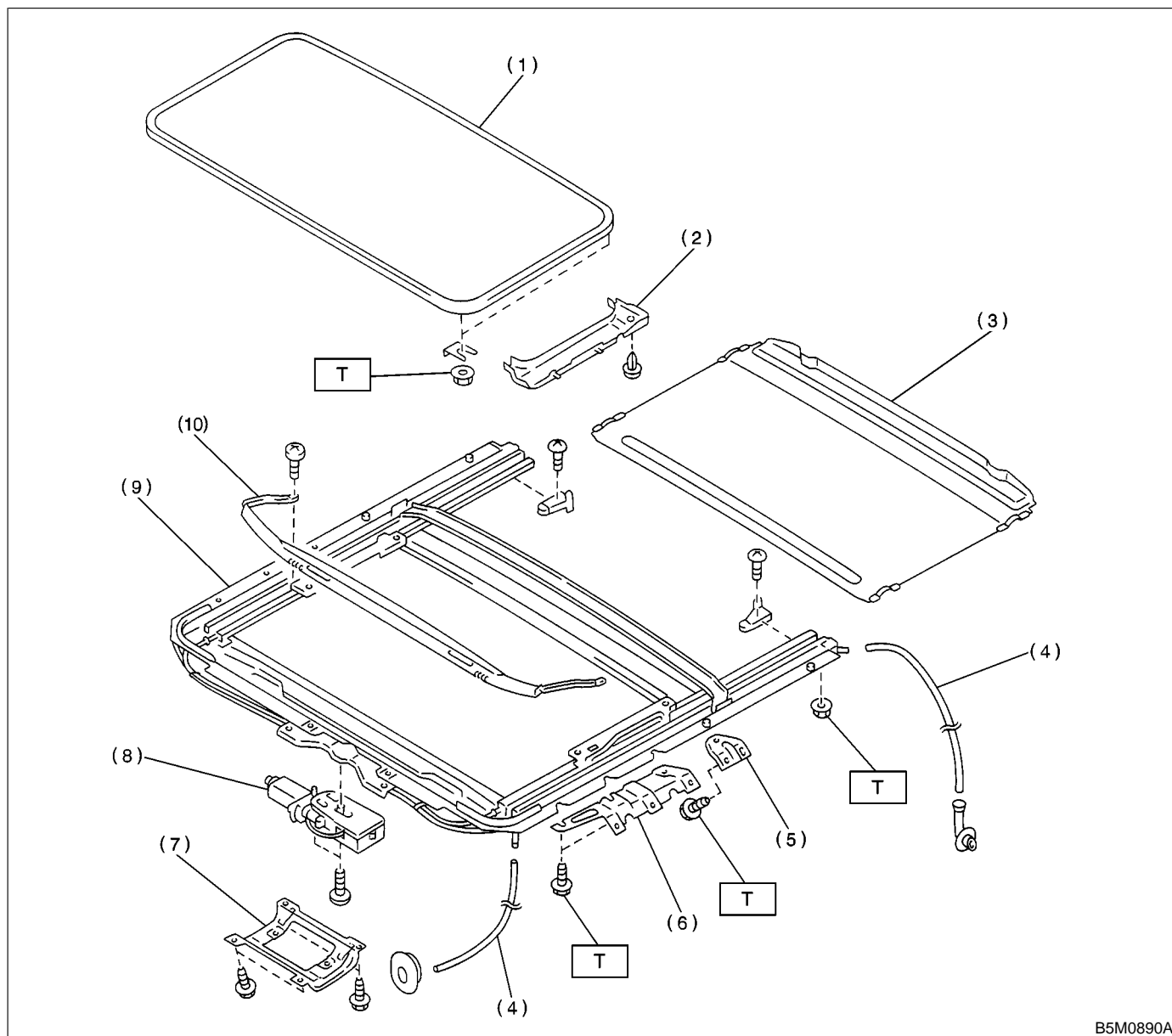


6. Sunroof

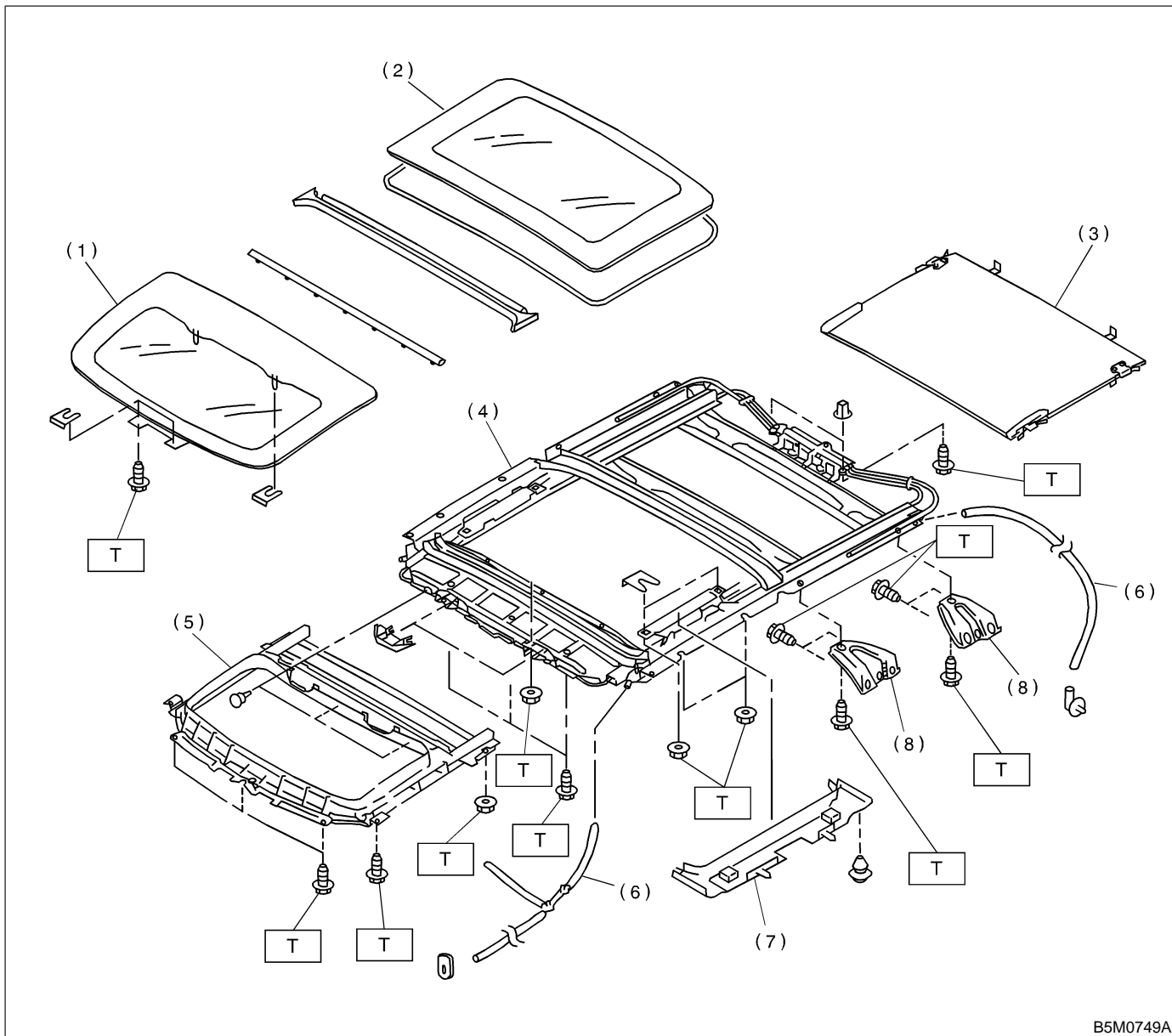
A: SEDAN BODY



- | | |
|----------------------------|-----------------------------|
| (1) Glass lid | (6) Sunroof bracket (Front) |
| (2) Guide rail cover | (7) Motor cover |
| (3) Sunshade | (8) Motor ASSY |
| (4) Drain tube | (9) Frame ASSY |
| (5) Sunroof bracket (Rear) | (10) Deflector |

Tightening torque: N·m (kg·m, ft·lb)
T: 7.4±2.0 (0.75±0.2, 5.4±1.4)

B: WAGON BODY



- | | |
|-----------------------|------------------------|
| (1) Glass lid (Front) | (5) Frame ASSY (Front) |
| (2) Glass lid (Rear) | (6) Drain tube |
| (3) Sunshade | (7) Cover |
| (4) Frame ASSY (Rear) | (8) Frame bracket |

Tightening torque: N·m (kg·m, ft·lb)
T: 7.4±2.0 (0.75±0.2, 5.4±1.4)