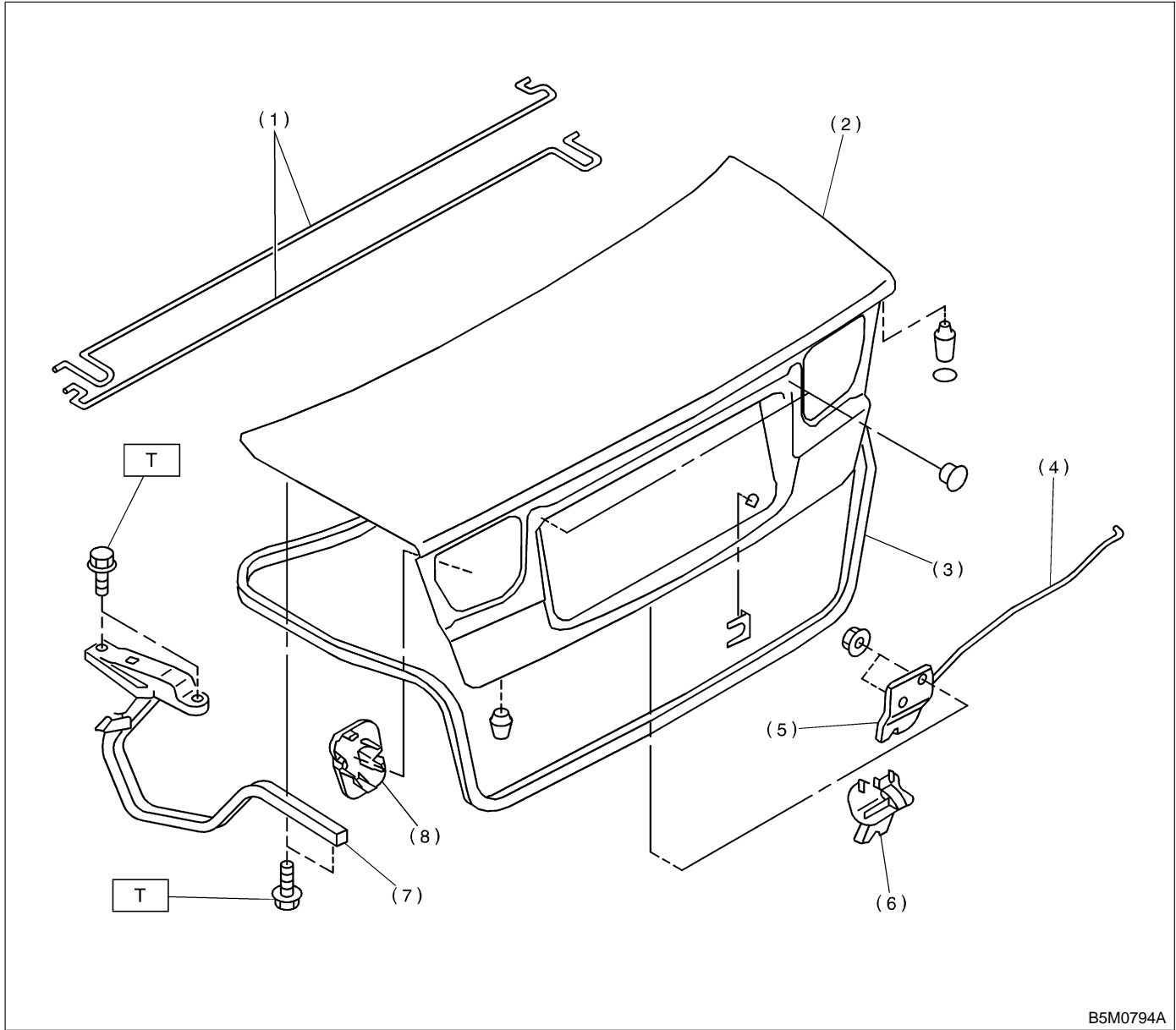


7. Trunk Lid



B5M0794A

- (1) Torsion bar
- (2) Trunk lid
- (3) Weatherstrip
- (4) Rod
- (5) Trunk lid lock ASSY
- (6) Lock ASSY cover
- (7) Hinge ASSY
- (8) Cover

Tightening torque: N·m (kg·m, ft·lb)
T: 14±4 (1.4±0.4, 10.1±2.9)