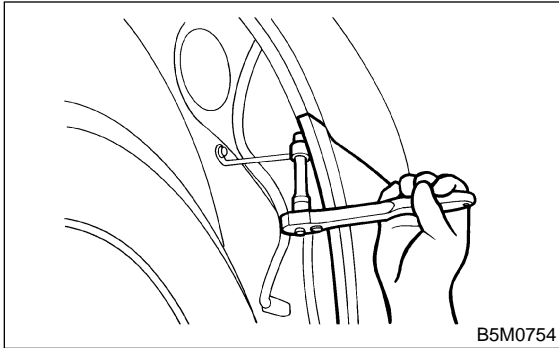


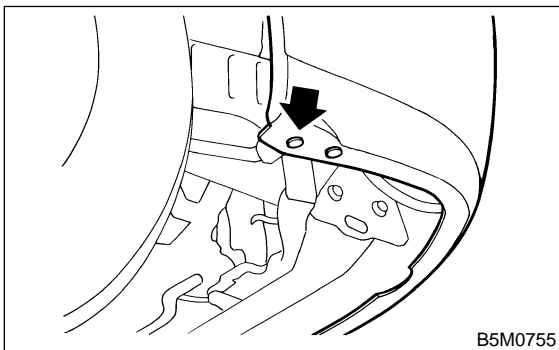
3. Front Bumper

A: REMOVAL AND INSTALLATION

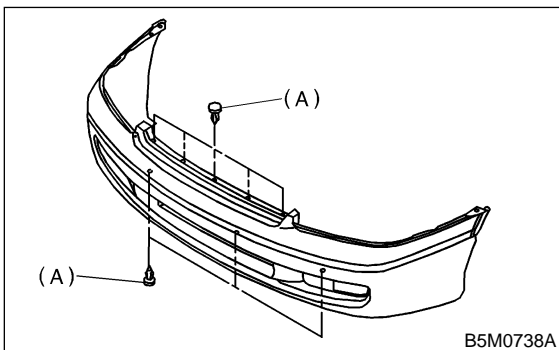
- 1) Disconnect the ground cable from the battery.
- 2) Remove front fog light. <Ref. to 6-2 [W11A0].>
- 3) Open the hood.
- 4) Turn over the front mud guard of the front portion and then remove bolt.



- 5) Remove the clips from under side.



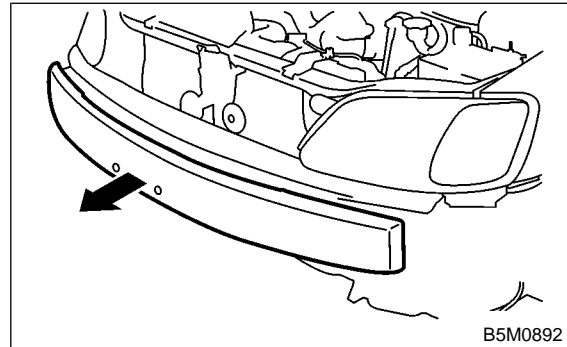
- 6) Remove under cover. <Ref. to 5-1 [W13A0].>
- 7) Remove clips (A) from bumper face and then detach bumper face.



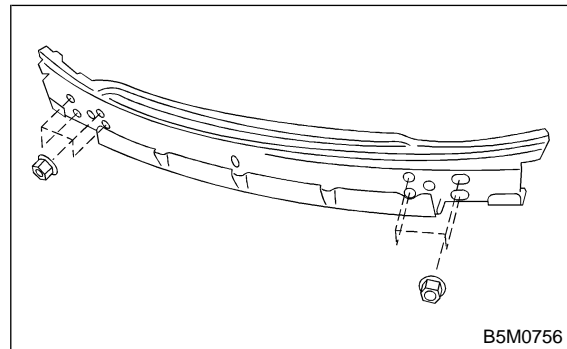
- 8) Remove E/A form from bumper beam.

NOTE:

Do not forcefully remove E/A form as it may break easily.



- 9) Remove bumper beam.



- 10) Installation is in the reverse order of removal.

CAUTION:

- Be extremely careful to prevent scratches on bumper face as it is made of resin.
- Be careful not to scratch the body when removing or installing the bumper.