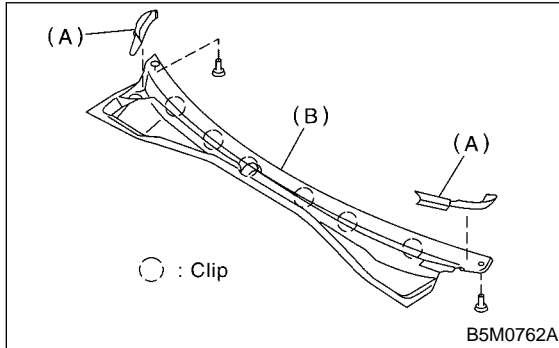


## 10. Cowl Panel

### A: REMOVAL AND INSTALLATION

- 1) Remove cowl panel side (A).
- 2) Open front hood.
- 3) Remove wiper arms.
- 4) Detach cowl panel (B).

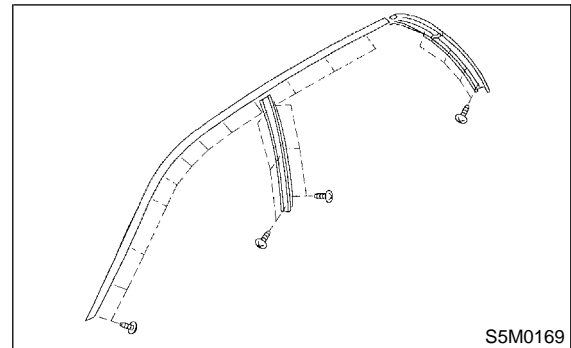


- 5) Installation is in the reverse order of removal.

## 11. Molding and Retainer

### A: REMOVAL AND INSTALLATION

- 1) Remove weatherstrip.
- 2) Remove tapping screws.



- 3) Installation is in the reverse order of removal.