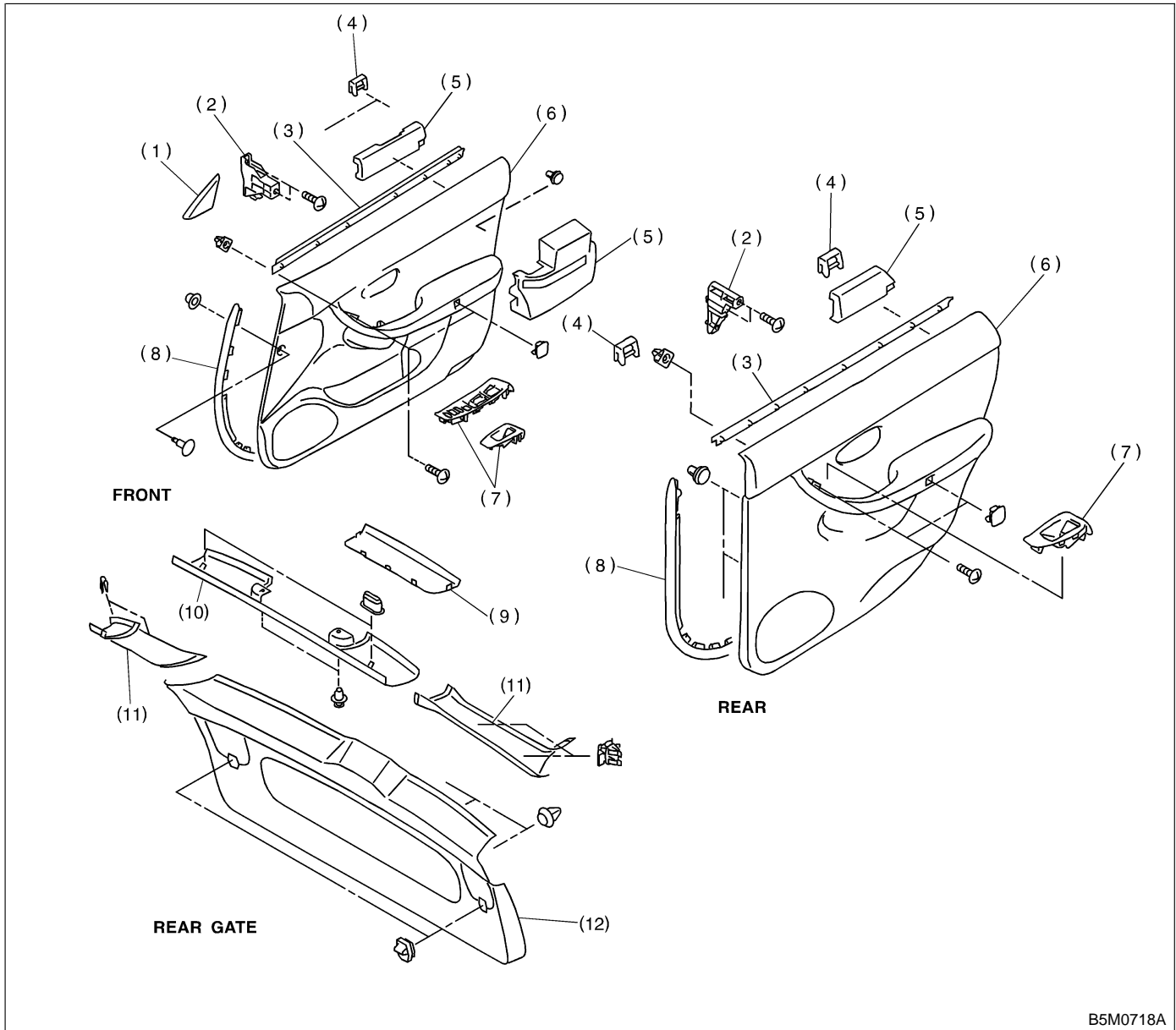


8. Door Trim



B5M0718A

- | | | |
|------------------------|-------------------------------|-----------------|
| (1) Gusset cover | (5) Pad | (9) Cover |
| (2) Bracket | (6) Trim panel | (10) Upper trim |
| (3) Weatherstrip upper | (7) Power window switch cover | (11) Side trim |
| (4) Clip | (8) Weatherstrip lower | (12) Lower trim |