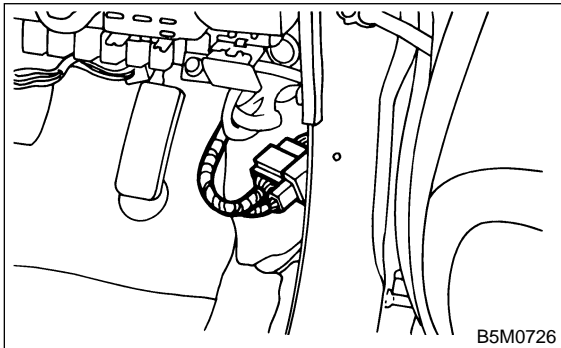


## 2. Door

### A: REMOVAL AND INSTALLATION

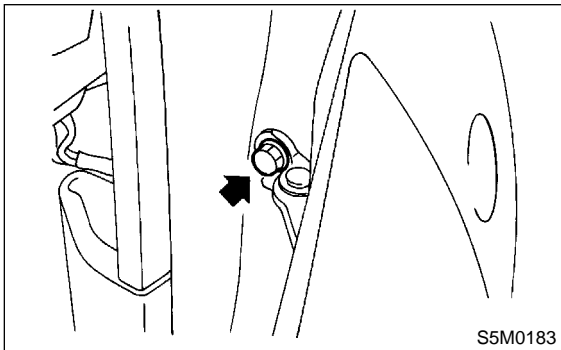
#### 1. DOOR ASSEMBLY

1) Remove front pillar lower trim <Ref. to 5-3 [W5A1].> and disconnect connectors from body harness.



2) Place a cloth or a wood block under door to prevent damage, and support it with a jack.

3) Remove checker bolt.



4) Remove bolts (M8) securing upper and lower hinges to door, and remove door from hinges.

**Tightening torque:**

**$25\pm 3$  N·m ( $2.5\pm 0.3$  kg·m,  $18.1\pm 2.2$  ft·lb)**

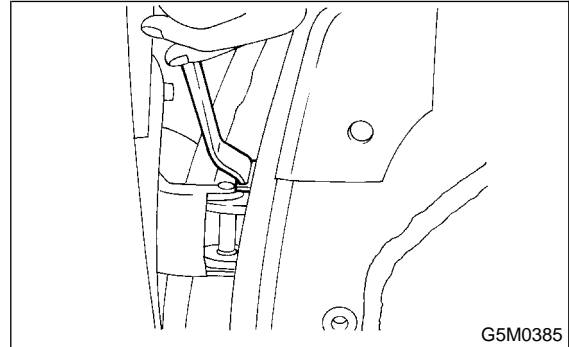
5) Remove hinges by loosening hinges mounting bolt (M8) off of body.

**Tightening torque:**

**$29\pm 5$  N·m ( $3.0\pm 0.5$  kg·m,  $21.7\pm 3.6$  ft·lb)**

**CAUTION:**

**Work carefully to avoid damaging door.**



6) Installation is in the reverse order of removal.

**NOTE:**

Apply grease to moving parts of door hinges.

2. TRIM PANEL

**CAUTION:**

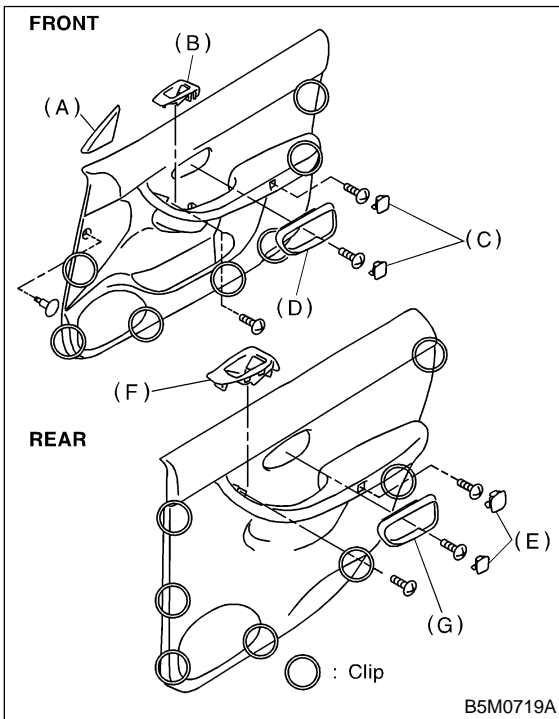
Be careful not to break clip by applying undue force.

1) Front door trim:

- (1) Remove gusset cover (A), power window switch assembly (B), cover (C) and inner remote cover (D).
- (2) Remove screws and then disengage the clips.
- (3) Detach trim panel and then disconnect connector.
- (4) Installation is in the reverse order of removal.

2) Rear door trim:

- (1) Remove cover (E), power window switch assembly (F) and inner remote cover (G).
- (2) Remove screws and then disengage the clips.
- (3) Detach trim panel and then disconnect connector.
- (4) Installation is in the reverse order of removal.

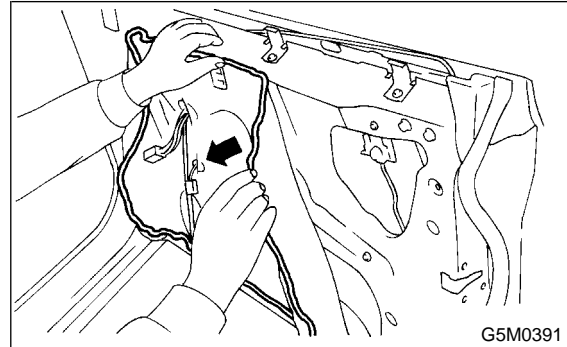


3. SEALING COVER

- 1) Remove door trim panel. <Ref. to 5-2 [W2A2].>
- 2) Remove speaker, trim bracket, remote assembly and disconnect connectors.
- 3) Remove sealer with a spatula.

**CAUTION:**

Be careful because cover may break if sealer is removed forcefully.



- 4) Installation is in the reverse order of removal.

**NOTE:**

- Confirm that sealer is properly applied without breaks. Then install sealing cover.
- When repairing or replacing sealing cover, use "CEMEDINE 5430L" as sealer. It may be overlaid on existing sealer.

**Sealer:**

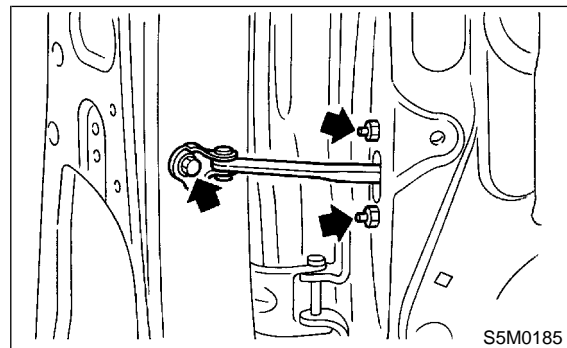
**CEMEDINE 5430L**

**CAUTION:**

- Any breaks in sealer can cause water leakage or entry of air and dust. Be sure sealer is applied in a continuous line.
- Make sure sealing cover bonded areas are free from wrinkles or openings.

4. CHECKER

- 1) Completely close door glass.
- 2) Remove door trim panel. <Ref. to 5-2 [W2A2].>
- 3) Remove sealing cover. <Ref. to 5-2 [W2A3].>
- 4) Remove attaching bolt to body.
- 5) Loosen two nuts securing checker, and take out checker through access hole in underside.



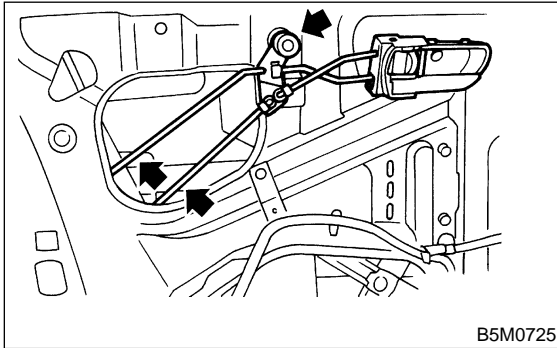
6) Installation should be made in the reverse order of removal.

**Tightening torque:**

**$7.5 \pm 2.0 \text{ N}\cdot\text{m}$  ( $0.75 \pm 0.2 \text{ kg}\cdot\text{m}$ ,  $5.4 \pm 1.4 \text{ ft}\cdot\text{lb}$ )**

### 5. INNER REMOTE

- 1) Remove door trim panel. <Ref. to 5-2 [W2A2].>
- 2) Remove sealing cover. <Ref. to 5-2 [W2A3].>
- 3) Disconnect joints of two rods.
- 4) Remove inner remote assembly.



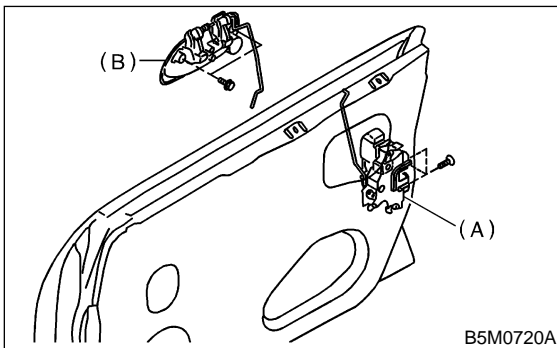
5) Installation is in the reverse order of removal.

**NOTE:**

If rear door is equipped with child safety lock, check that child lock lever moves without dragging.

### 6. DOOR LATCH AND OUTER HANDLE

- 1) Completely close door glass.
- 2) Remove door trim panel. <Ref. to 5-2 [W2A2].>
- 3) Remove inner remote assembly. <Ref. to 5-2 [W2A5].>
- 4) Remove sealing cover around latch service hole.
- 5) Remove latch and actuator assembly (A):
  - (1) Turn rod holder to disconnect joint between key lock and rod.
  - (2) Turn rod holder to disconnect joint between outer handle and rod.
  - (3) Turn rod holder to disconnect joint between crank and rod.
  - (4) Loosen screws securing both latch and actuator, then remove latch and actuator assembly through service hole in bottom.



(5) Installation is in the reverse order of removal.

**NOTE:**

- Check operation of each part.
- Check each sliding part for proper lubrication.

**CAUTION:**

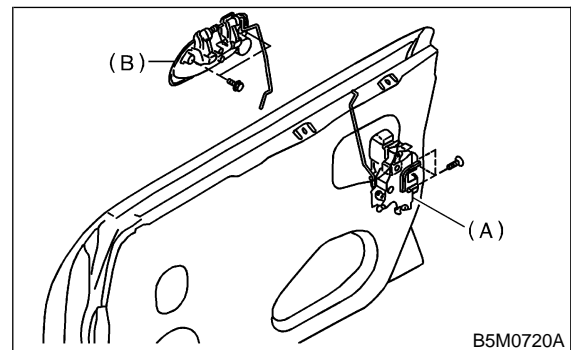
**After installation, be sure lock mechanism operates normally.**

6) Remove outer handle (B):

- (1) Remove door trim panel. <Ref. to 5-2 [W2A2].>
- (2) Remove sealing cover. <Ref. to 5-2 [W2A3].>
- (3) Detach door latch rod from outer handle and key lock.
- (4) Loosen nut securing outer handle and then remove outer handle from outside.

**CAUTION:**

**Be careful not to damage door.**



(5) Installation is in the reverse order of removal.

### 7. KEY LOCK

- 1) Remove door trim panel. <Ref. to 5-2 [W2A2].>
- 2) Remove sealing cover. <Ref. to 5-2 [W2A3].>
- 3) Completely close door glass.
- 4) Remove outer handle. <Ref. to 5-2 [W2A6].>
- 5) Loosen spring securing key lock.
- 6) Remove key lock from outer handle.
- 7) Installation is in the reverse order of removal.

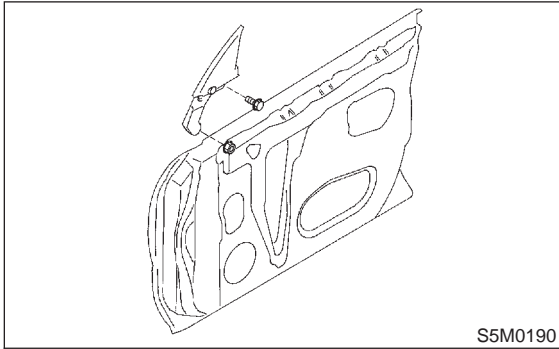
### 8. GUSSET

- 1) Be sure window is all the way down.
- 2) Remove gusset cover.
- 3) Remove trim panel. <Ref. to 5-2 [W2A2].>
- 4) Remove door rearview mirror.
- 5) Remove outer weatherstrip.
- 6) Remove sealing cover. <Ref. to 5-2 [W2A3].>

**NOTE:**

Be careful not to drop nuts on the "IN" side.

7) Remove bolt and nut which secure gusset.



8) Lift out gusset.  
9) Installation is in the reverse order of removal.

**Tightening torque: Bolt and nut**  
**7.4±2.0 N-m (0.75±0.2 kg-m, 5.4±1.4 ft-lb)**

**B: ADJUSTMENT**

**1. DOOR ASSEMBLY**

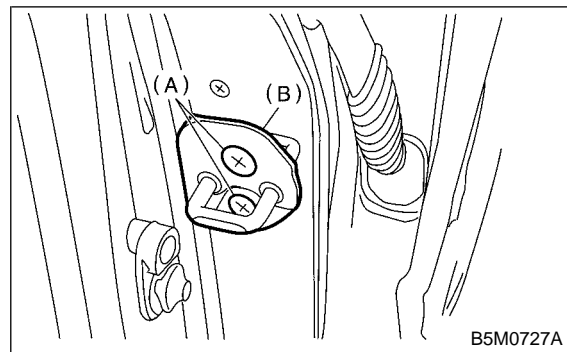
1) Using ST, loosen bolts securing upper and lower hinges to body, and adjust fore-and-aft and vertical alignment of door.

ST 925610000 DOOR HINGE WRENCH

**Hinge tightening torque (body side):**  
**29±5 N-m (3.0±0.5 kg-m, 21.7±3.6 ft-lb)**



2) Loosen mounting screws (A) approximately one rotation.  
3) Adjust striker (B) position by lightly tapping with a hammer.

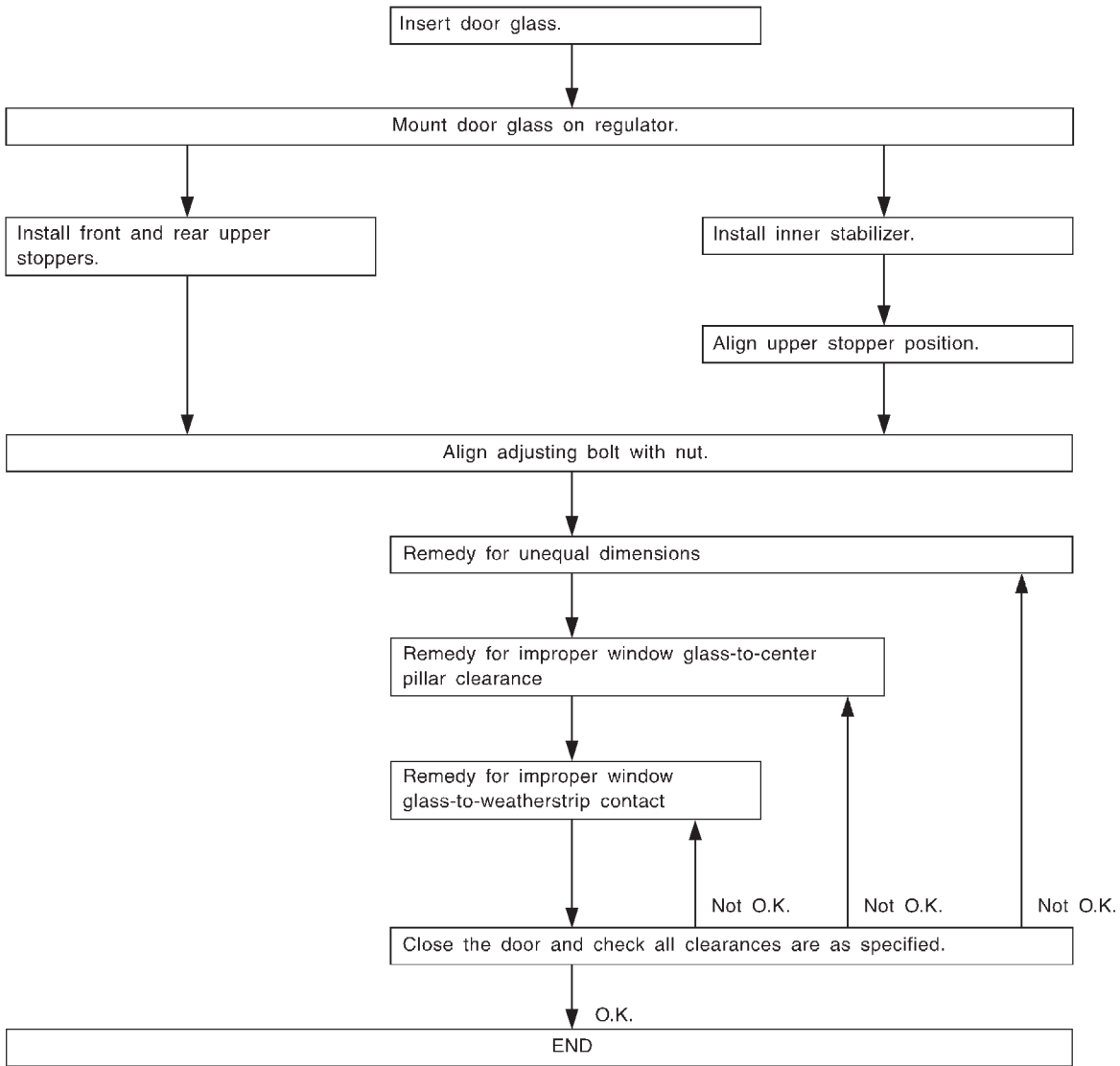


**CAUTION:**

- Use a cloth to prevent damaging body or other parts.
- Do not directly tap plastic portion of striker.
- Do not apply impact on spot-welded striker nut plate.

**Striker tightening torque:**  
**14±4 N-m (1.4±0.4 kg-m, 10.1±2.9 ft-lb)**

2. PROCEDURE CHART FOR ADJUSTING DOOR GLASS



H5M0912A

### 3. FRONT DOOR GLASS

#### ● Door glass fit adjustment

Before adjusting door glass alignment, ensure adjusting bolts for stabilizers, upper stoppers and sashes are loose and glass is raised so that it is in contact with upper and side weatherstrip.

1) Temporarily tighten one of the two rear sash adjusting bolts, at midpoint of oblong hole on inner panel.

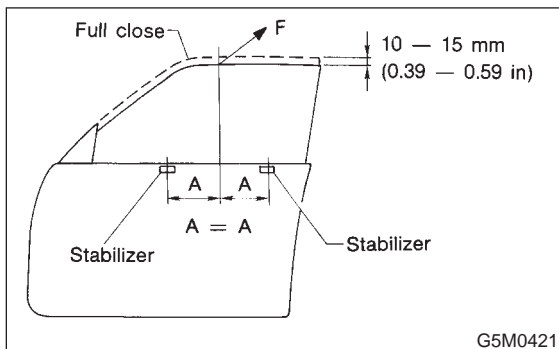
2) Temporarily tighten regulator B channel at a position slightly lower than midpoint of oblong hole on inner panel.

3) Lower door glass 10 to 15 mm (0.39 to 0.59 in) from fully closed position. While applying outward pressure (load) to upper edge of glass above midpoint of two outer stabilizers, press inner stabilizer until it just touches the glass, then secure it.

#### Load: F

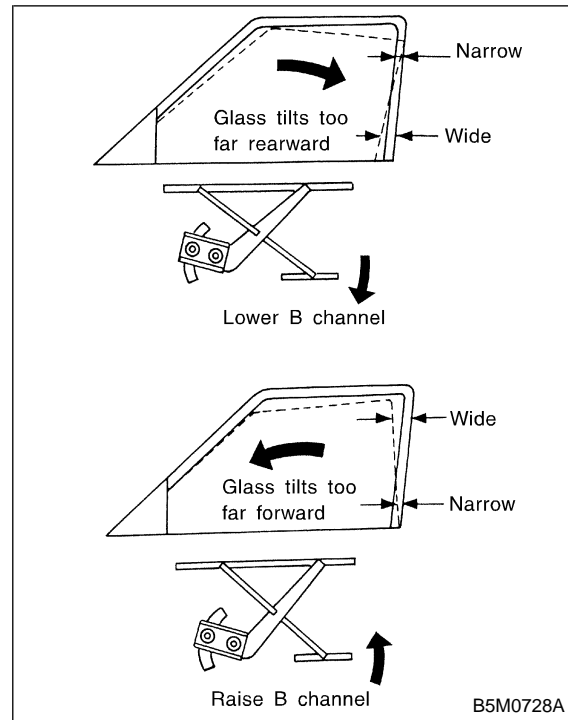
**Front door glass 49.0±4.9 N (5.0±0.5 kg, 11.0±1.1 lb)**

**Rear door glass 49.0±4.9 N (5.0±0.5 kg, 11.0±1.1 lb)**



#### ● Remedy for unequal dimensions, between upper, lower and center pillar sides

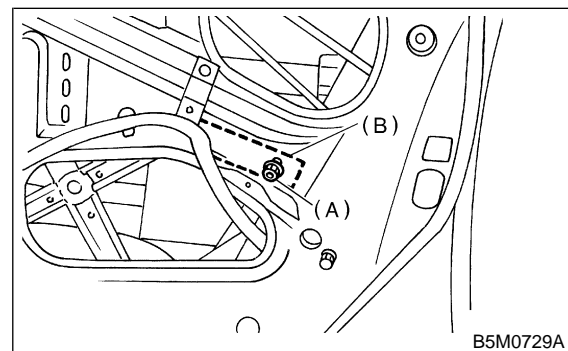
- 1) Close front door and raise door glass.
- 2) Make sure of unequal dimensions.



- 3) If glass tilts to far rearward, loosen adjusting nut (A) of B channel (B) and adjust glass to be parallel with center pillar, then after adjustment, tighten adjusting nut (A).

#### Tightening torque:

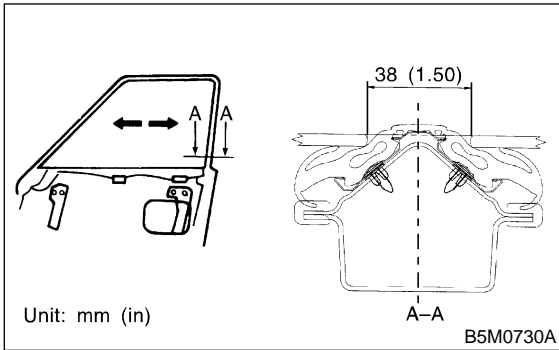
**7.4±2.0 N·m (0.75±0.2 kg·m, 5.4±1.4 ft·lb)**



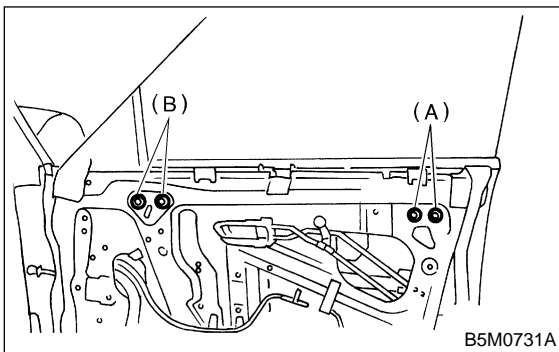
2. Door

● Remedy for improper front glass to rear glass clearance

- 1) Close front door and raise door glass.
- 2) Make sure of improper clearance.

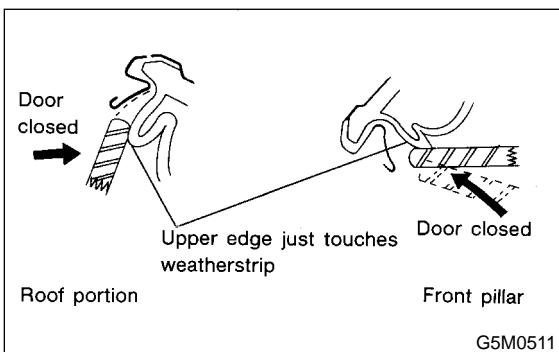


- 3) If clearance is improper, loosen adjusting nuts and bolts (A) and (B) then adjust glass to rear glass.



● Remedy for improper upper stop point of door glass

- 1) Loosen front and rear sash stoppers.
- 2) Increase the upward travel of window glass up to the position where upper edge just touches weatherstrip surface with door closed.



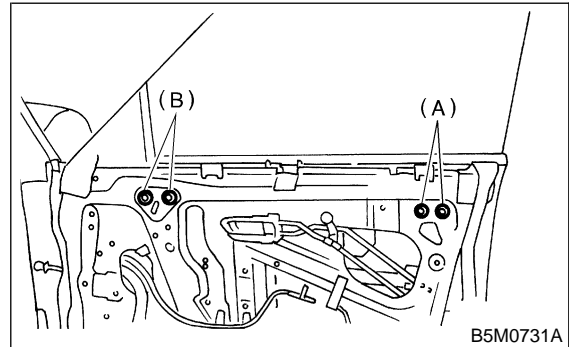
- 3) After adjustment, temporarily tighten stoppers.

NOTE:

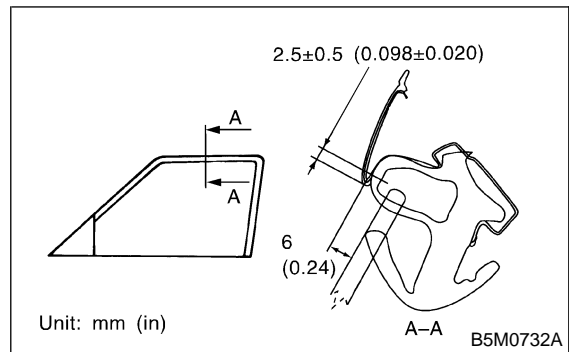
Make sure that each glass stopper is touched.

● Remedy for incorrect contact of door glass to weatherstrip

- 1) Close front door and raise door glass.
- 2) If clearance is below specifications, loosen nuts and bolts (A) and (B).



- 3) If clearance is over specifications, tighten nuts and bolts (A) and (B).



● Fit adjustment

Door glass fit is adjusted by displacing the glass front edge with a stabilizer.

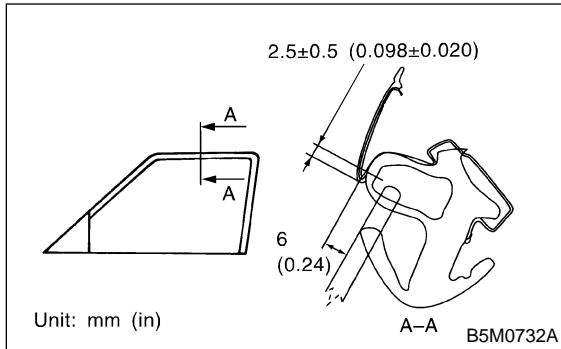
NOTE:

Before adjusting glass fit, visually check to determine relative adjusting positions of retainer and molding (on roof side) and glass surface.

1) Alternately adjust two rear sash adjusting nuts and bolts (A) until dimensions are obtained.

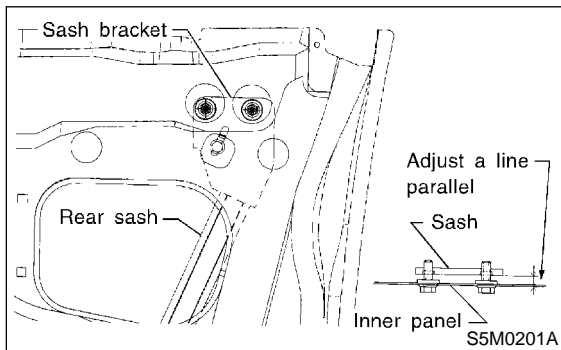
**CAUTION:**

Do not loosen two adjusting nuts and bolts (A) and (B) at the same time, as this moves sash fore and aft, creating unequal glass-to-sash clearance. During adjustment, loosen only one nut and keep the other tightened.



**NOTE:**

Always adjust two rear sash adjusting nuts and bolts (A) by the same amount. Do not adjust the adjusting nuts and bolts (A) with sash bracket inclined toward inner panel, as this increases effort required to operate regulator.



2) Adjust front sash fit using rear sash adjustment procedure outlined in the former procedure as a guide. Two adjusting nuts and bolts (B) must be adjusted by the same amount.

**NOTE:**

- Front and rear sash adjustment procedures are basically the same; however, the amount of adjustment is not always the same due to alignment dispersion of individual doors.
- Adjust front and rear sash fit, as equally as possible. Otherwise, effort required to operate regulator may increase.

3) After adjusting front sash-to-glass fit, secure front sash.

**4. REAR DOOR GLASS**

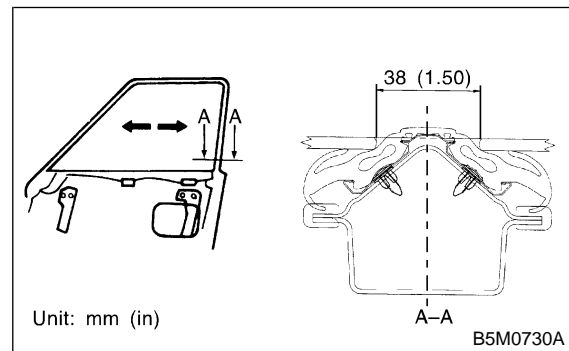
Alignment of rear door glass is basically the same as for the front door glass. Due to slight difference in adjustment dimensions for fore-aft, up-down, and in-out alignments, key points for rear door adjustment are described.

● **Fore-aft adjustment**

1) Door glass alignment must be adjusted so that glass-to-glass fit is equal at all points. Always use dimensions as a guide during adjustment.

**NOTE:**

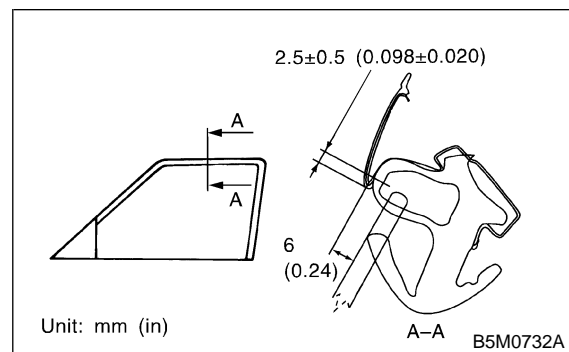
If dimensions are smaller than those indicated, glass will be caught in weatherstrip and may not raise to the fully closed position.



2) After making fore-aft adjustment, raise and lower glass to ensure it is free from any binding.

● **Fit adjustment**

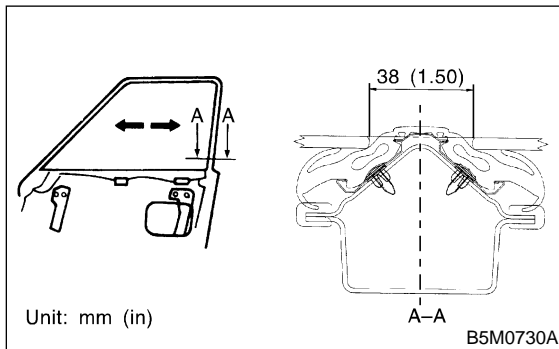
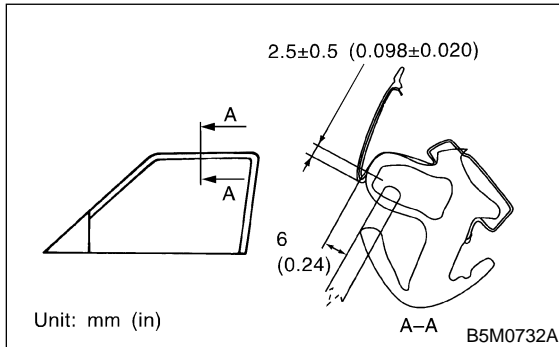
Increasing contact pressure causes rear door glass to be caught in center pillar upper and lower weatherstrip; this will cause premature weatherstrip wear. For this reason, always use dimensions indicated below as a guide during glass fit adjustment.





**C: INSPECTION****1. FRONT DOOR GLASS**

1) Close front door and make sure of all clearances.



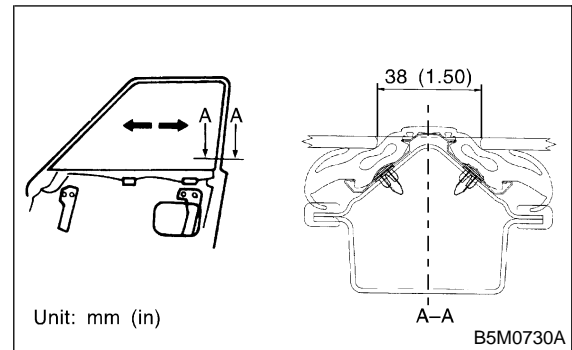
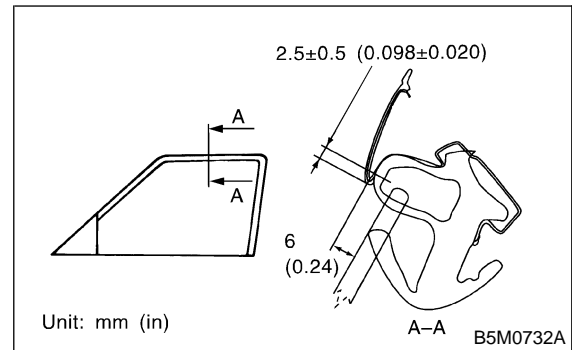
2) If any clearance is not correct, adjust affected parts. Re-check that all clearances are correct.

**CAUTION:**

- Repeatedly adjust parts until all clearances are correct.
- After clearance adjustment, make sure that all adjusting bolts and nuts are tightened.

**2. REAR DOOR GLASS**

1) Close rear door and make sure of all clearances.



2) If any clearance is not correct, adjust affected parts. Re-check that all clearances are correct.

**CAUTION:**

- Repeatedly adjust parts until all clearances are correct.
- After clearance adjustment, make sure that all adjusting bolts and nuts are tightened.