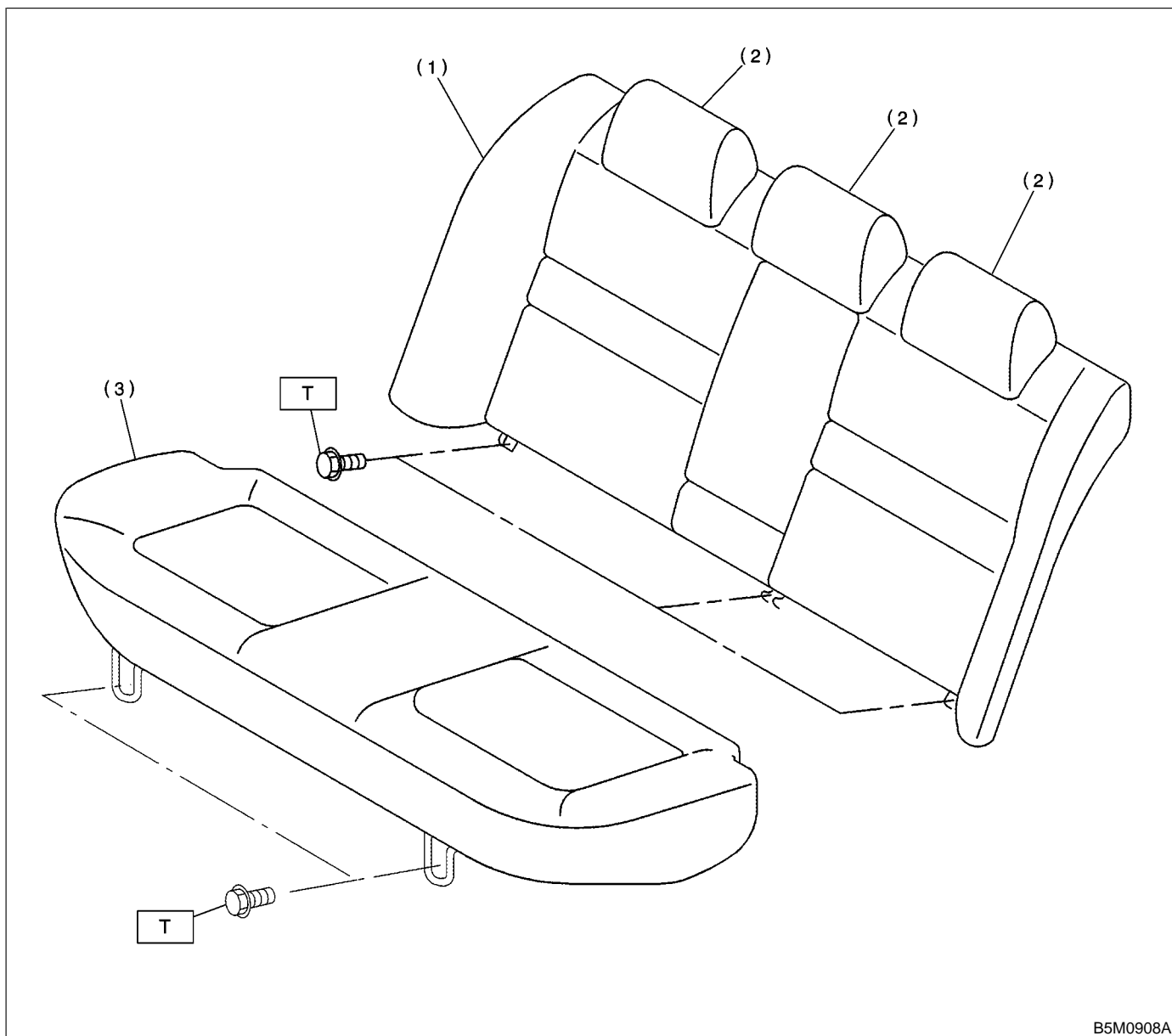


2. Rear Seat

A: SEDAN BODY



B5M0908A

(1) Backrest

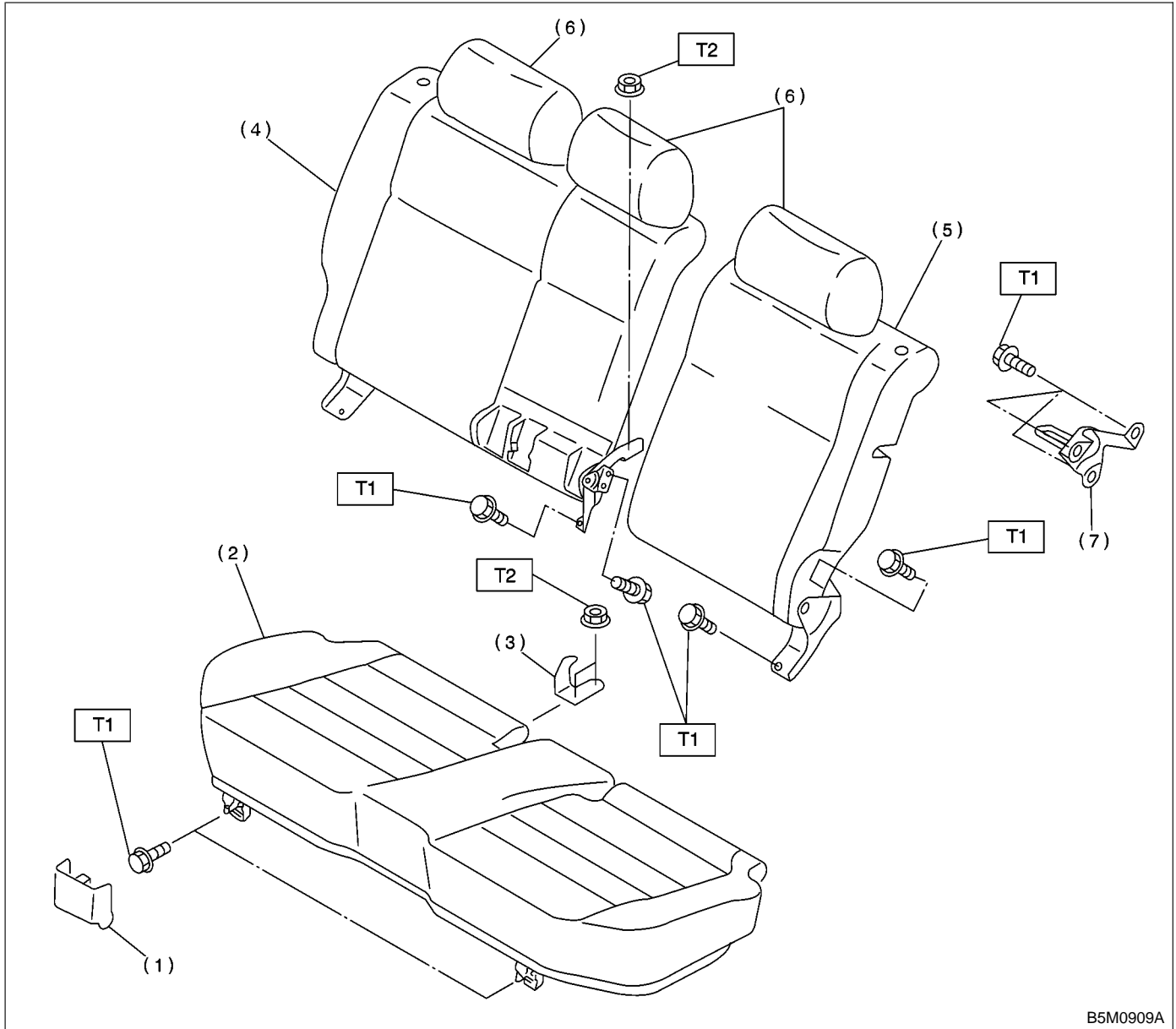
(3) Cushion

(2) Head restraint

Tightening torque: N·m (kg·m, ft·lb)

T: 25±7 (2.5±0.7, 18.1±5.1)

B: WAGON BODY



B5M0909A

- (1) Cover
- (2) Cushion
- (3) Hook
- (4) Backrest RH

- (5) Backrest LH
- (6) Head restraint
- (7) Striker

Tightening torque: N·m (kg·m, ft·lb)

T1: 10±3 (1.0±0.3, 7.2±2.2)

T2: 25±7 (2.5±0.7, 18.1±5.1)