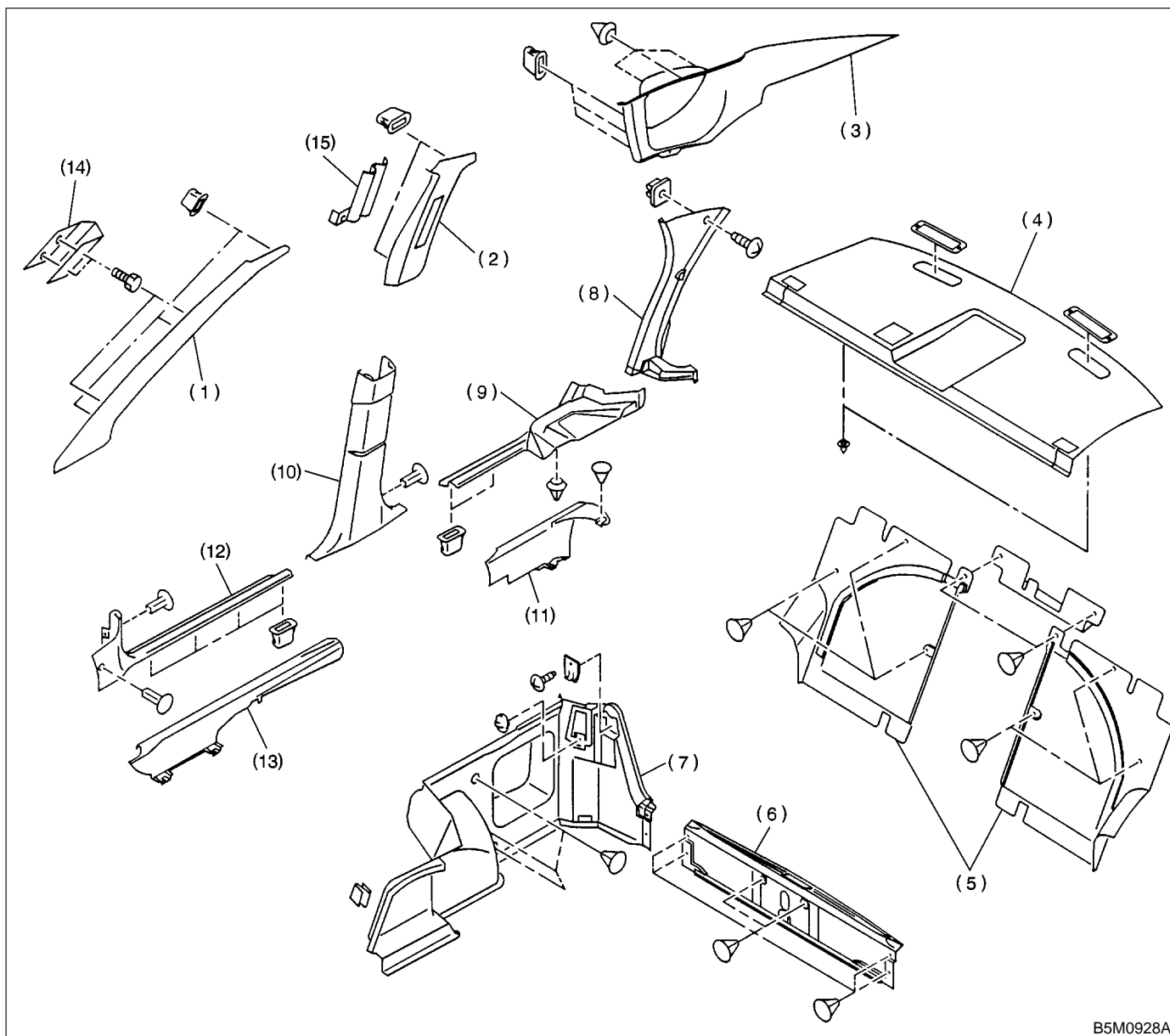


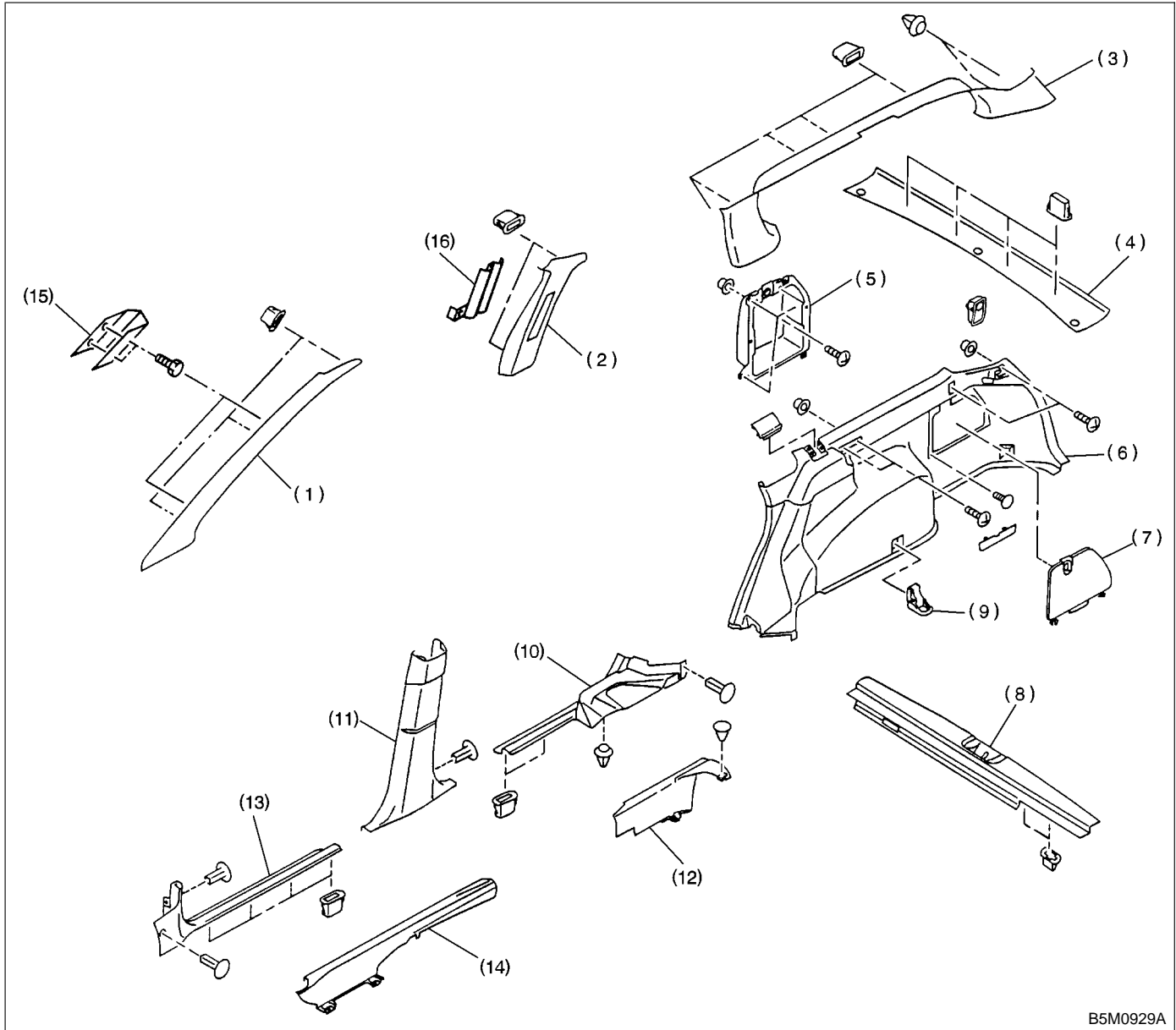
6. Inner Trim  
A: SEDAN BODY



B5M0928A

- |                              |                                |                                  |
|------------------------------|--------------------------------|----------------------------------|
| (1) Front pillar upper trim  | (6) Trunk rear trim            | (11) Side sill rear lower cover  |
| (2) Center pillar upper trim | (7) Trunk side trim            | (12) Front pillar lower trim     |
| (3) Rear pillar upper trim   | (8) Rear pillar lower trim     | (13) Side sill front lower cover |
| (4) Rear shelf trim          | (9) Side sill rear upper cover | (14) Pad stopper A pillar        |
| (5) Rear bulk trim           | (10) Center pillar lower trim  | (15) Pad B pillar upper          |

B: WAGON BODY



B5M0929A

- |                              |                                 |                                  |
|------------------------------|---------------------------------|----------------------------------|
| (1) Front pillar upper trim  | (7) Lid                         | (13) Front pillar lower trim     |
| (2) Center pillar upper trim | (8) Rear skirt trim             | (14) Side sill front lower cover |
| (3) Rear pillar upper trim   | (9) Hook                        | (15) Pad stopper A pillar        |
| (4) Rear rail trim           | (10) Side sill rear upper cover | (16) Pad B pillar upper          |
| (5) Pocket                   | (11) Center pillar lower trim   |                                  |
| (6) Rear quarter lower trim  | (12) Side sill rear lower cover |                                  |