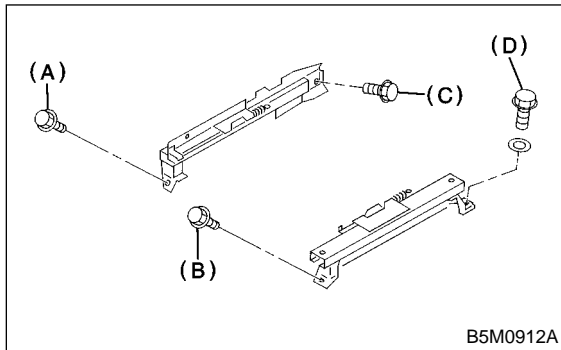


- 4) Secure the front of seat using inward and outward bolts (A) and (B) in that order.
- 5) Move seat all the way forward.
- 6) Secure the rear of seat using inward and outward bolts (C) and (D).

CAUTION:

Check that all lock plate pawls are completely and equally inserted into the holes in the slide rail brackets. (Conventional seat)



- 7) Connect connector under the seat.
- 8) Connect side airbag connector. (Side airbag equipped model)
- 9) After installation, ensure that all mechanisms operate properly and lock.
- 10) If any mechanism does not function properly, loosen bolts (C) and (D), slide seat as required, insert all lock plate pawls into holes in slide rail brackets, and tighten bolts (C) and (D) in that order. (Conventional seat)
- 11) Install bolt cover on rear end of slide rail.
- 12) Install headrest on backrest.

NOTE:

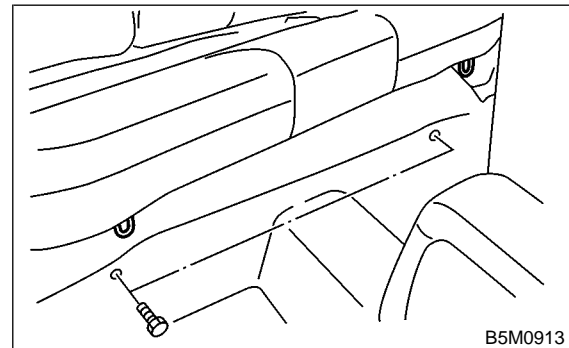
Tighten bolts in the designated order.

2. Rear Seat

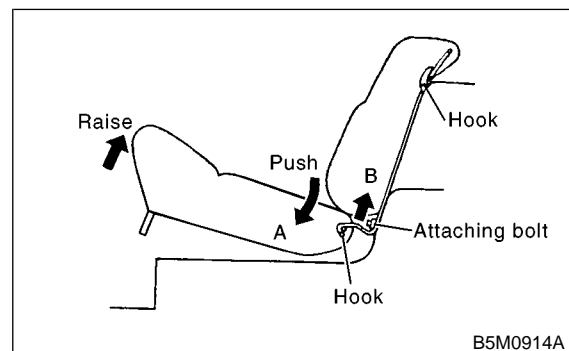
A: REMOVAL AND INSTALLATION

1. SEDAN BODY

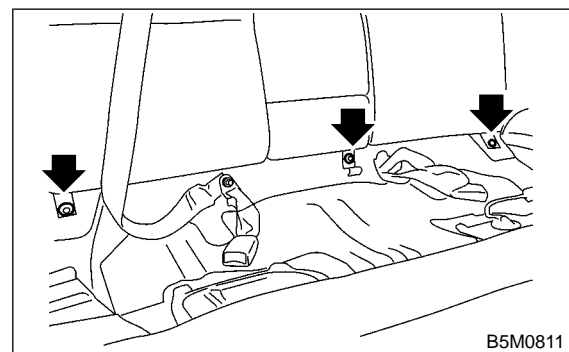
- 1) Remove bolts.



- 2) Slightly raise front of cushion while pushing down on cushion in the direction of "A". With cushion held in that position, move it forward until it is unhooked.

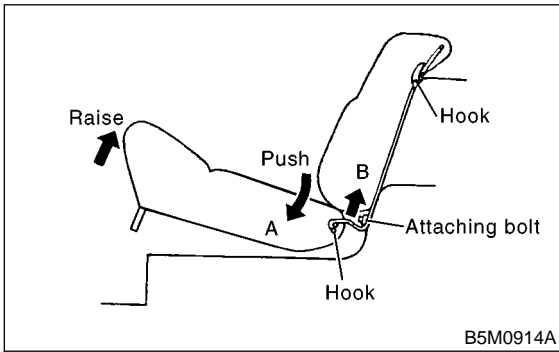


- 3) Remove bolts securing lower portion of backrest and then open the center trunk through lid.



2. Rear Seat

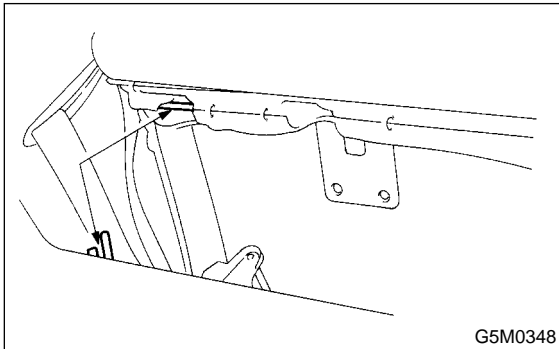
4) Lift rear seat backrest in direction "B" until it is released.



5) Installation is in the reverse order of removal.

NOTE:

When installing backrest, secure two wires to their respective vehicle body hooks. These wires are located on both sides of upper portion of backrest.

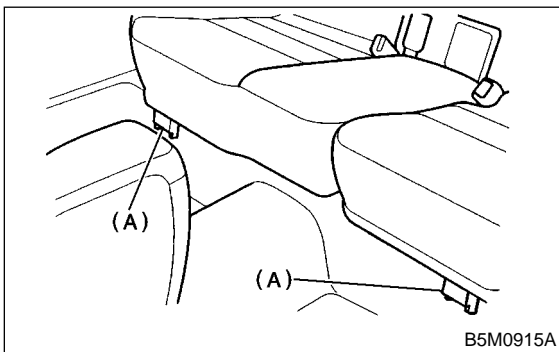


CAUTION:

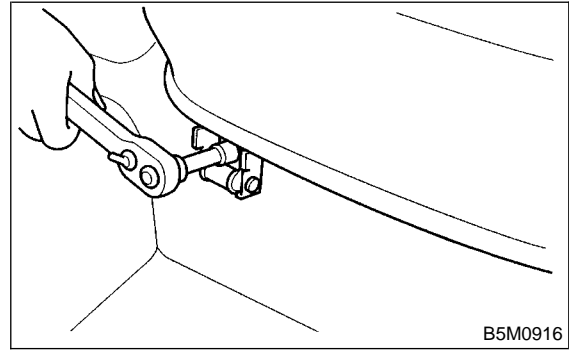
- Before installing seat, ensure that seat belt is placed on cushion.
- Confirm that winding of three-point type seat belt can operate regularly.

2. CUSHION (WAGON BODY)

1) Raise the cushion, then remove bolt cover (A).



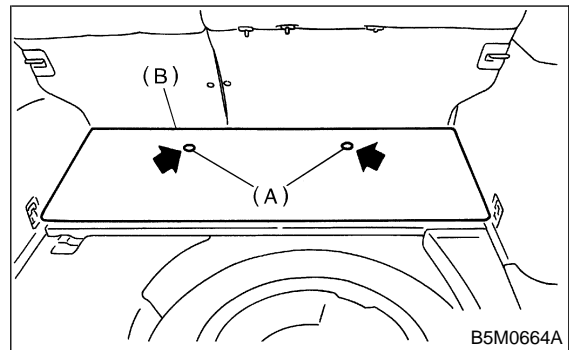
2) Remove bolts, then remove cushion.



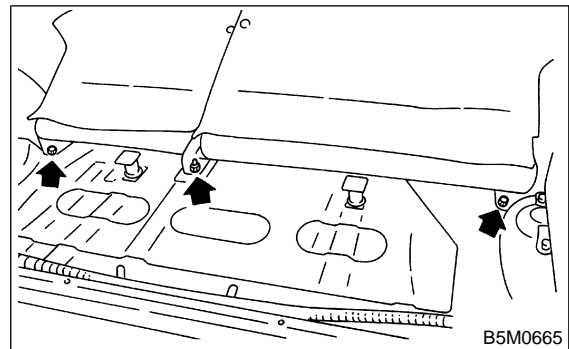
3) Installation is in the reverse order of removal.

3. BACKREST (WAGON BODY)

- 1) Raise the cushion.
- 2) Remove clips (A), then remove mat (B).



3) Remove bolts and nut, then detach backrest.



4) Installation is in the reverse order of removal.

CAUTION:

- Before installing seat, ensure that seat belt is placed on cushion.
- Confirm that winding of three-point type seat belt can operate regularly.