

## 4. Rear Seat Belt

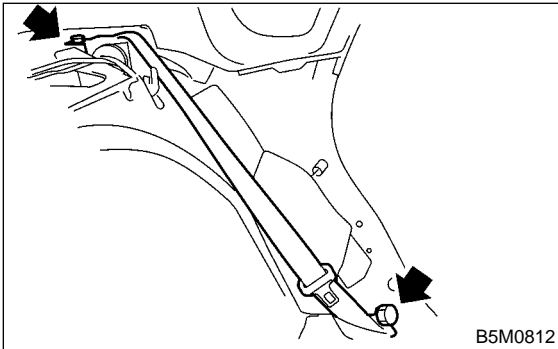
### A: REMOVAL AND INSTALLATION

**WARNING:**

Replace rear seat belt worn by occupants of a vehicle that has been in a serious accident. The entire assembly should be replaced even if damage is not obvious.

#### 1. OUTER BELT SIDE (SEDAN BODY)

- 1) Remove rear shelf trim and side sill rear upper cover. <Ref. to 5-3 [W5A0].>
- 2) Remove bolts, then detach outer belt side.



- 3) Installation is in the reverse order of removal.

**NOTE:**

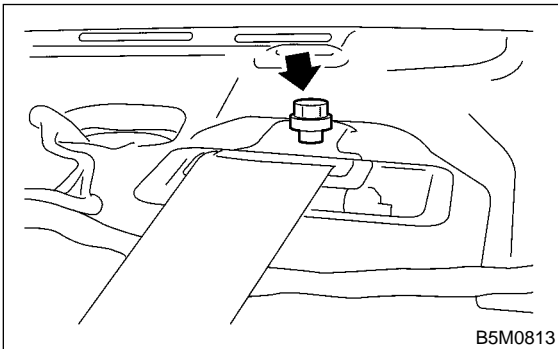
Ensure that seat belt is properly reeled on and off after installation of ELR.

**CAUTION:**

- Ensure that seat belts are free from twisting after installation.
- Ensure that tongues, buckles and belts are properly placed on seat.

#### 2. OUTER BELT CENTER (SEDAN BODY)

- 1) Remove rear shelf trim. <Ref. to 5-3 [W5A6].>
- 2) Remove bolt, then detach outer belt center.



- 3) Installation is in the reverse order of removal.

**NOTE:**

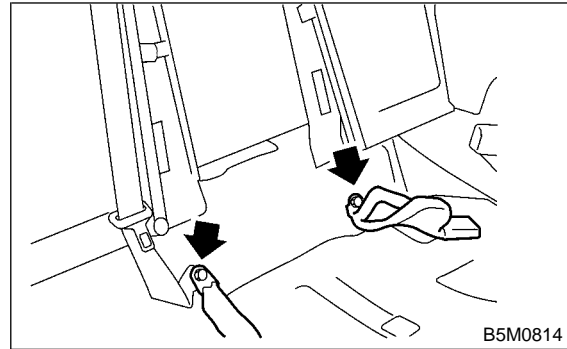
Ensure that seat belt is properly reeled on and off after installation of ELR.

**CAUTION:**

- Ensure that seat belts are free from twisting after installation.
- Ensure that tongues, buckles and belts are properly placed on seat.

#### 3. INNER BELT (SEDAN BODY)

- 1) Detach the rear cushion. <Ref. to 5-3 [W2A1].>
- 2) Remove bolt, then remove inner belt.



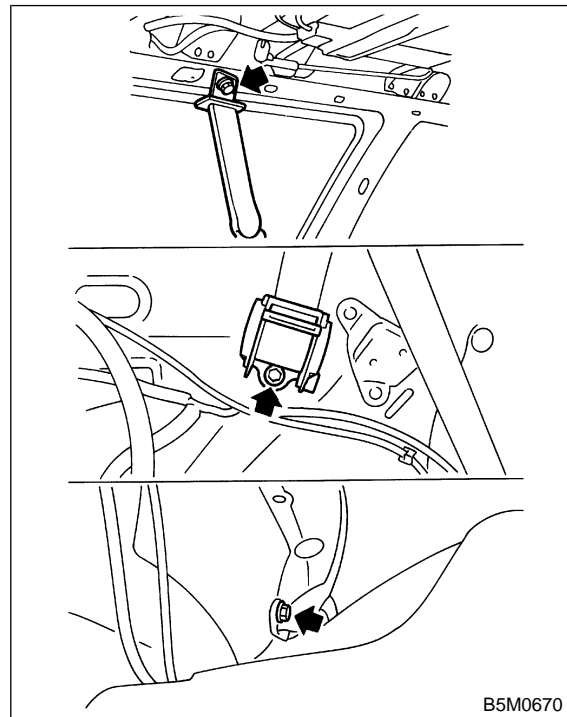
- 3) Installation is in the reverse order of removal.

**CAUTION:**

- Ensure that seat belts are free from twisting after installation.
- Ensure that tongues, buckles and belts are properly placed on seat.

#### 4. OUTER BELT SIDE (WAGON BODY)

- 1) Remove rear pillar upper trim, rear quarter lower trim and side sill rear upper cover. <Ref. to 5-3 [W5A8].>
- 2) Remove bolt and nut, then detach outer belt side.



**4. Rear Seat Belt**

3) Installation is in the reverse order of removal.

**NOTE:**

Ensure that seat belt is properly reeled on and off after installation of ELR.

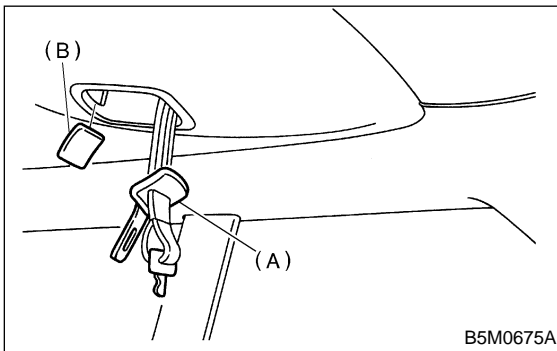
**CAUTION:**

- Ensure that seat belts are free from twisting after installation.
- Ensure that tongues, buckles and belts are properly placed on seat.

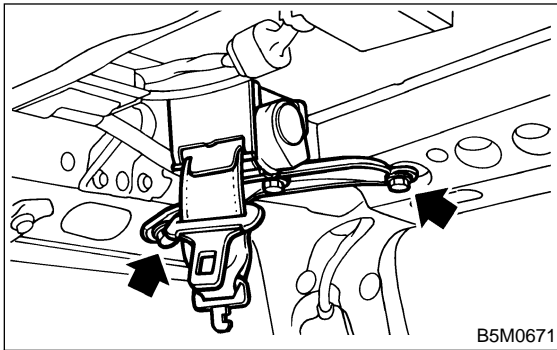
**5. OUTER BELT CENTER (WAGON BODY)**

1) Remove rear end of roof trim, then hang down roof trim. <Ref. to 5-3 [W5A10].>

2) Remove cover (B), then pass the tongue (A) from roof trim hole.



3) Remove bolts, then detach outer belt center.



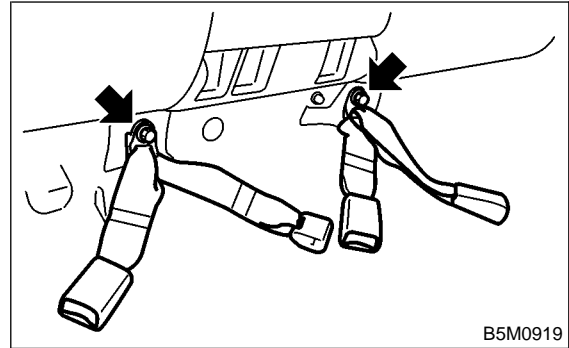
4) Installation is in the reverse order of removal.

**NOTE:**

Ensure that seat belt is properly reeled on and off after installation of ELR.

**6. INNER BELT (WAGON BODY)**

- 1) Raise the rear cushion.
- 2) Remove bolt, then remove inner belt.



3) Installation is in the reverse order of removal.