

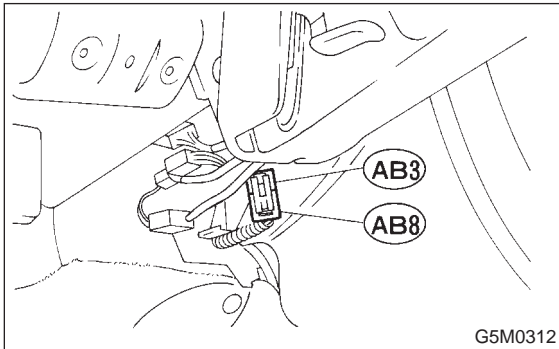
4. Main Harness

A: REMOVAL AND INSTALLATION

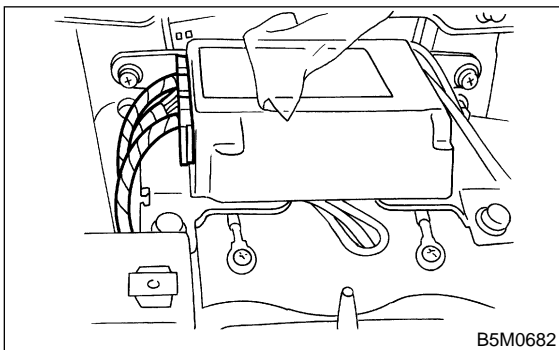
- 1) Turn ignition switch off.
- 2) Disconnect ground cable from battery and wait for at least 20 seconds before starting work.
- 3) Remove lower cover. <Ref. to 5-4 [W1A0].>
- 4) Disconnect airbag connector (AB3) and (AB8) below steering column. <Ref. to 5-5 [M2F2].>

CAUTION:

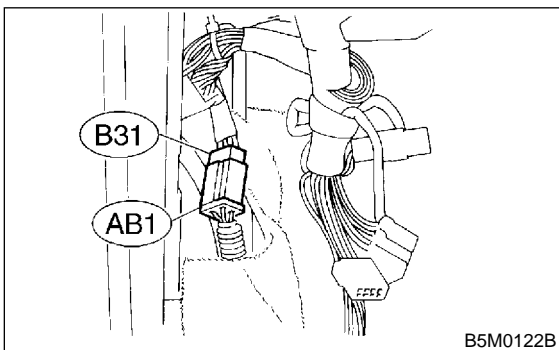
Do not reconnect airbag connector at steering column until main harness are securely re-installed.



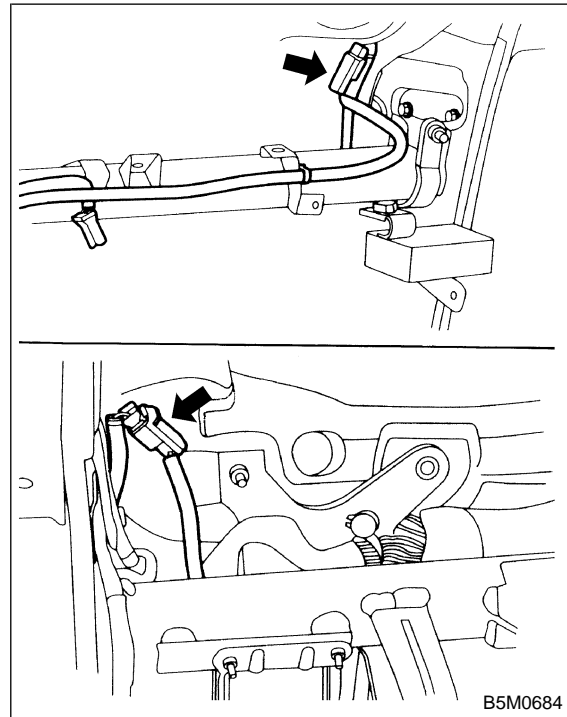
- 5) Remove instrument panel. <Ref. to 5-4 [W1A0].>
- 6) Disconnect connector from airbag control module.



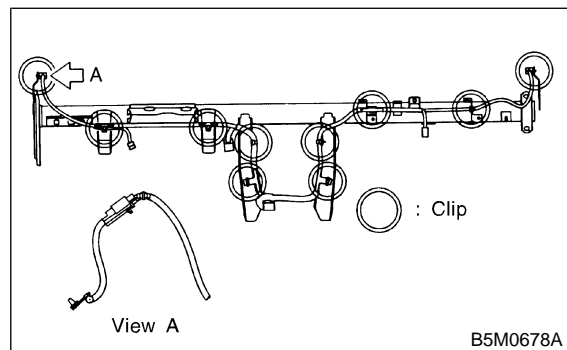
- 7) Disconnect body harness connector (B31) from airbag connector (AB1) located in front pillar lower (driver side). <Ref. to 5-5 [M2F3].>



- 8) Disconnect front sub sensor connector (blue) from airbag main harness. <Ref. to 5-5 [M2F2].>



- 9) Detach clips from steering support beam and remove main harness.



- 10) Installation is in the reverse order of removal.