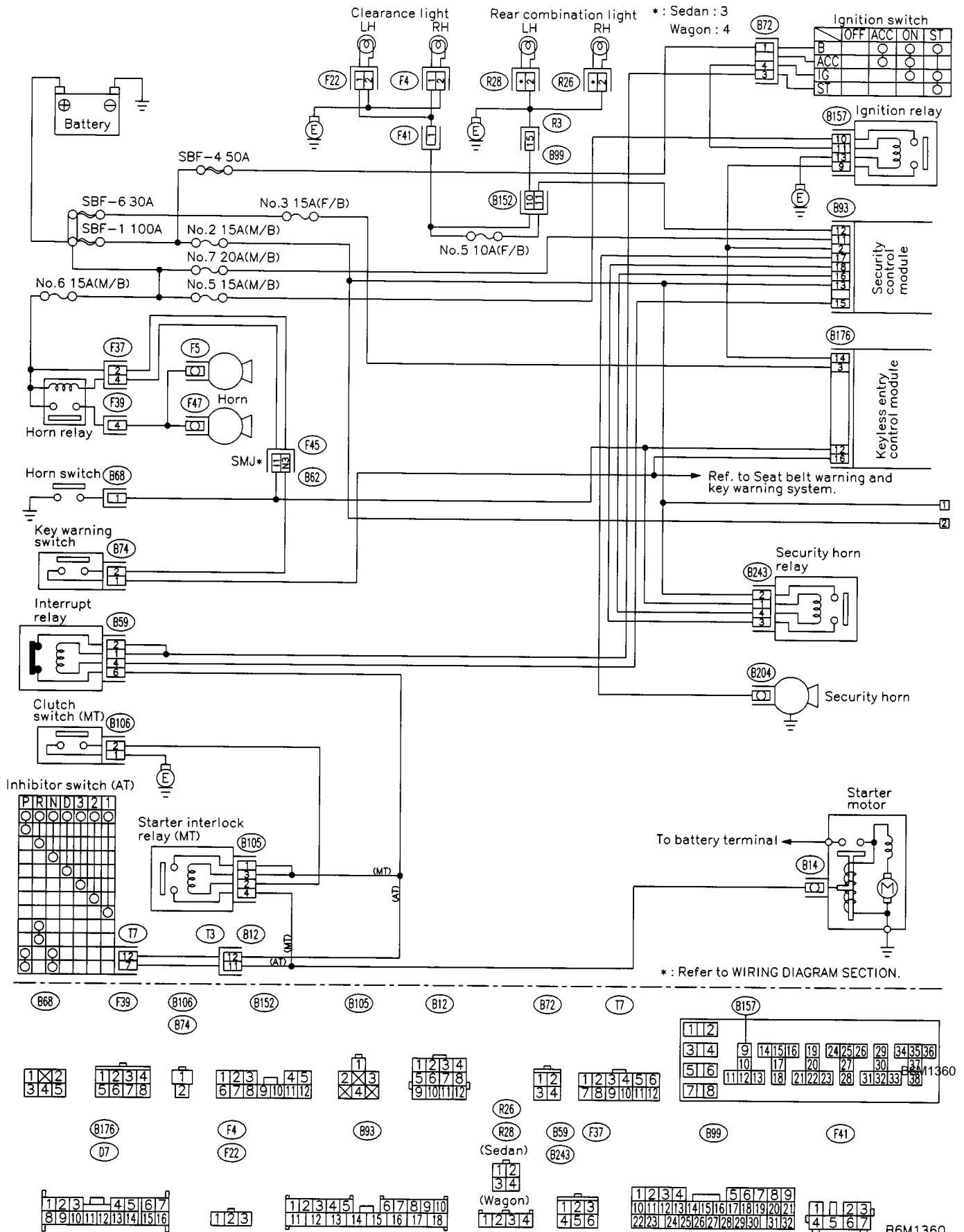
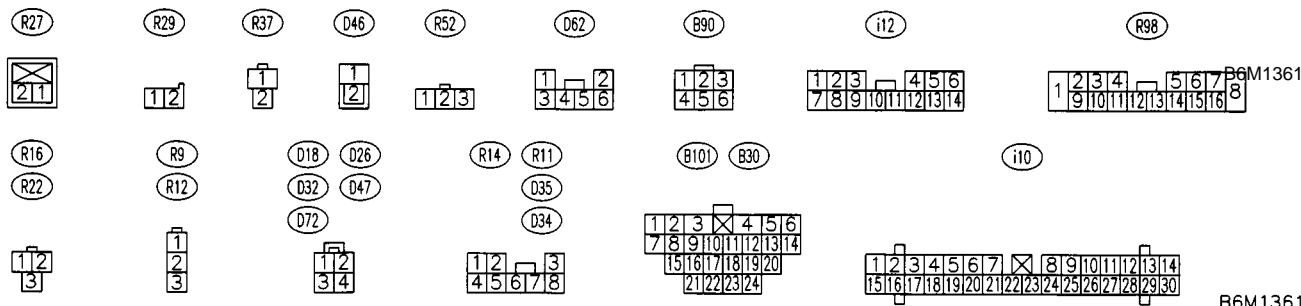
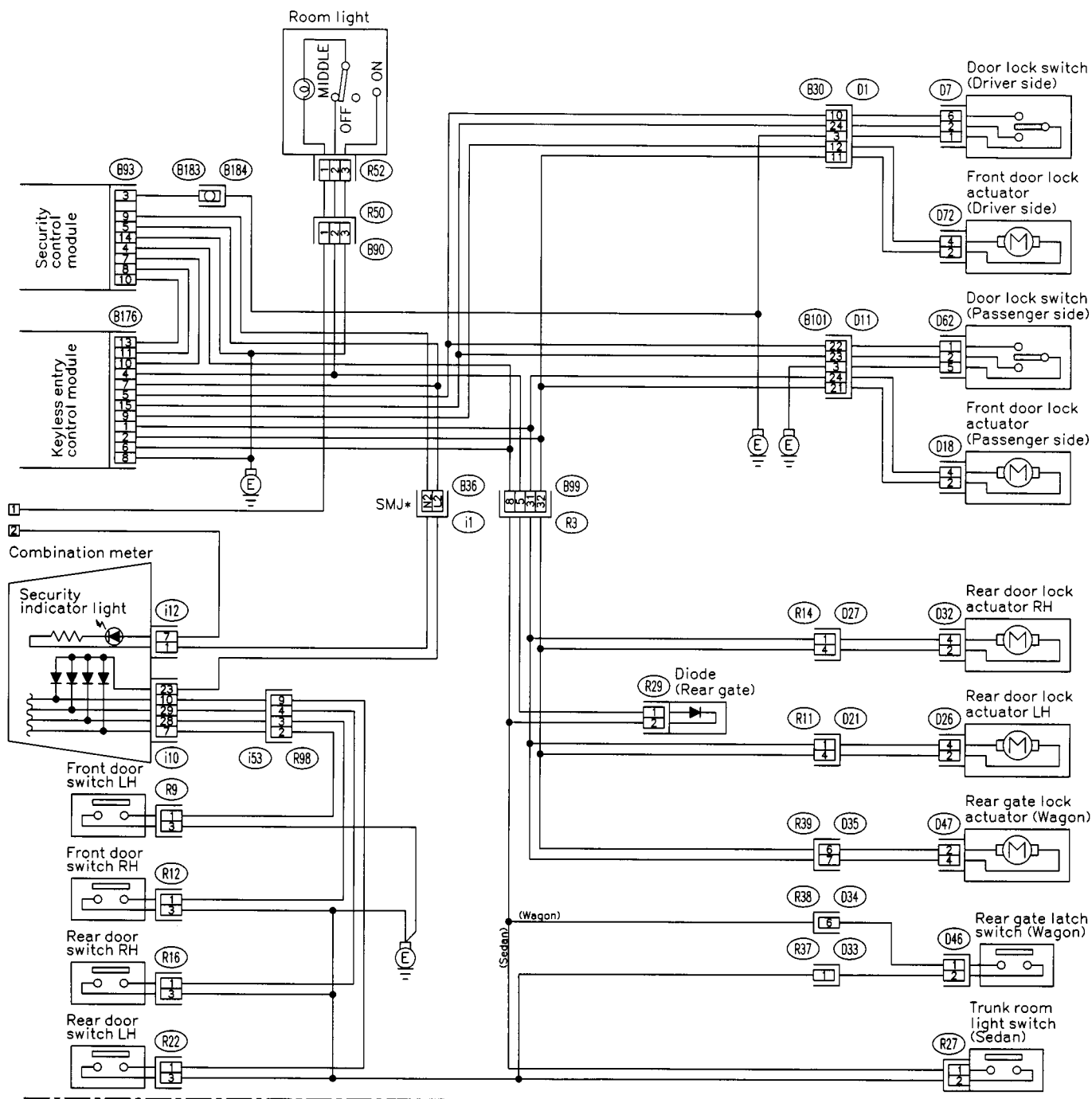


4. Schematic





B6M1361