

4. Lighting

A: ADJUSTMENT

1. HEADLIGHT AIMING

NOTE:

As this headlight is the "VISUAL AIMING TYPE", it is possible to adjust aiming only in the vertical direction. It cannot be adjusted in the horizontal direction.

CAUTION:

Turn off the light before adjusting headlight aiming. If the light is necessary to check aiming, do not turn on for more than two minutes.

NOTE:

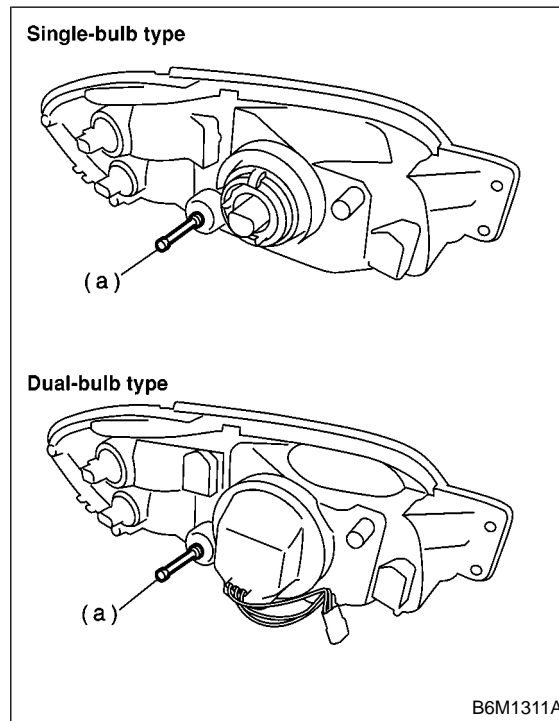
Before checking the headlight aiming, be sure of the following:

- The area around the headlight has not sustained any accident, damage or other type of deformation.
- Vehicle is parked on level ground.
- The inflation pressure of tires is correct.
- Vehicle's gas tank is fully charged.
- Bounce the vehicle several times to normalize the suspension.
- Make certain that someone is seated in the driver's seat.

Turn the headlight on and then adjust the low beam pattern to the following positions on the screen.

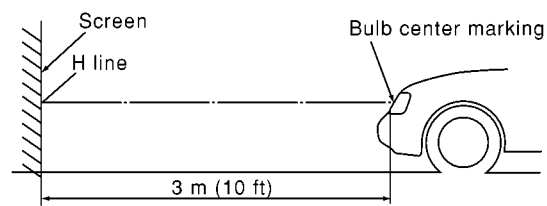
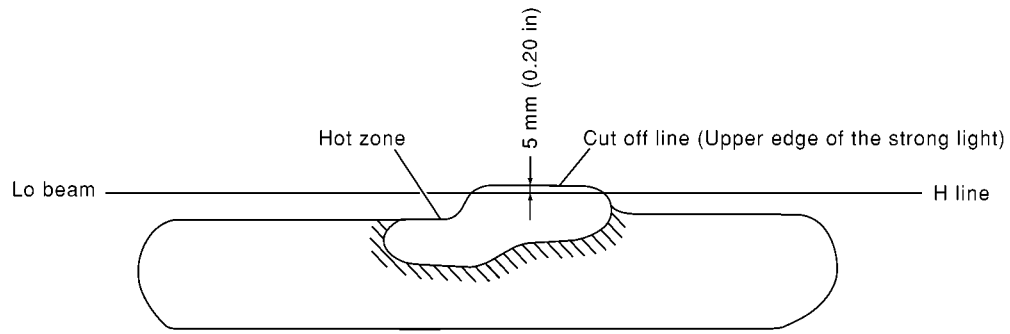
NOTE:

Adjust the headlight aiming by turning the adjusting screw (a).

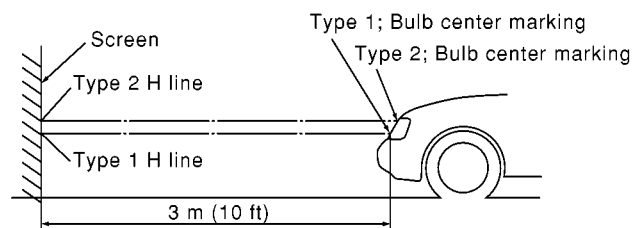
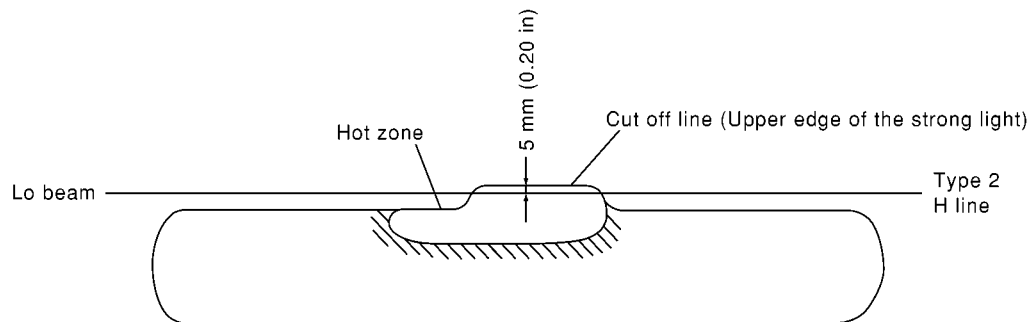


B6M1311A

Single-bulb headlight



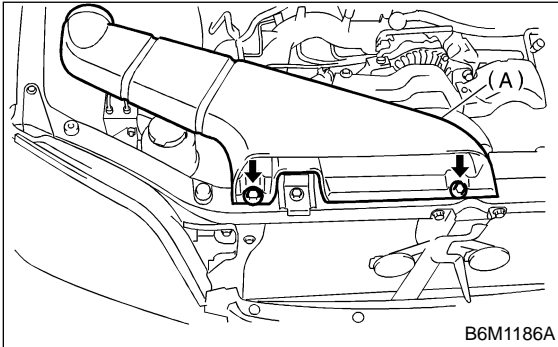
Dual-bulb headlight



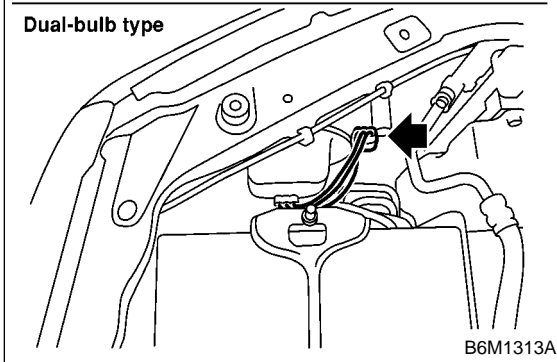
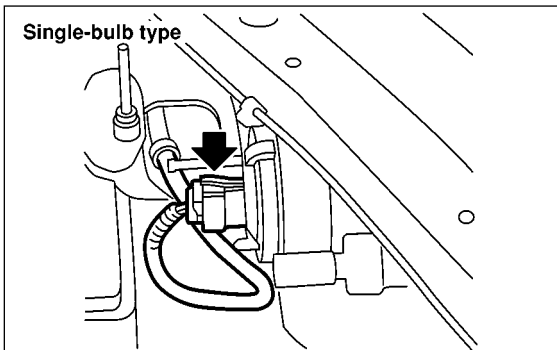
B6M1312A

B: REMOVAL AND INSTALLATION**1. HEADLIGHT**

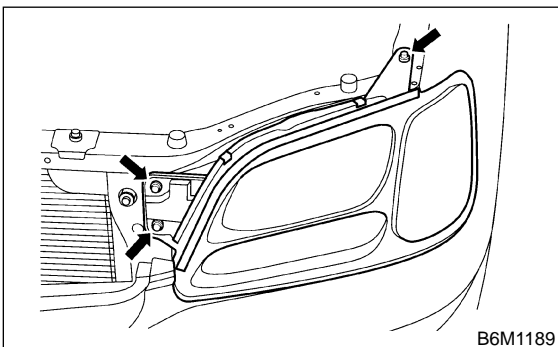
1) Remove duct (A). (When right side headlight is removed.)



2) Disconnect headlight bulb connector.



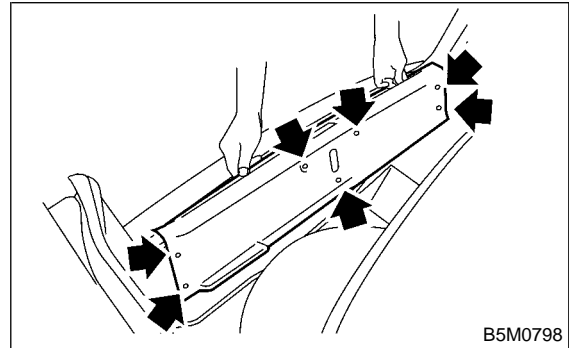
3) Remove three bolts then remove headlight while disconnecting connector.



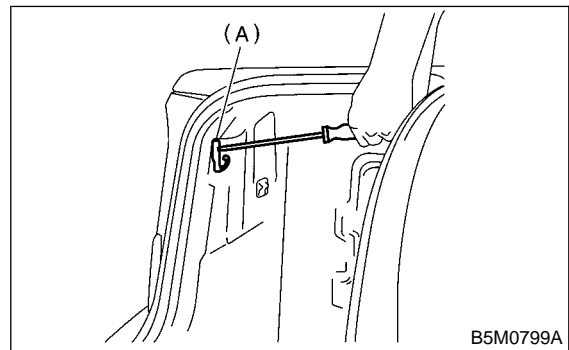
4) Installation is in the reverse order of removal.

2. REAR COMBINATION LIGHT (SEDAN BODY)

1) Remove clips and then detach trunk rear trim.

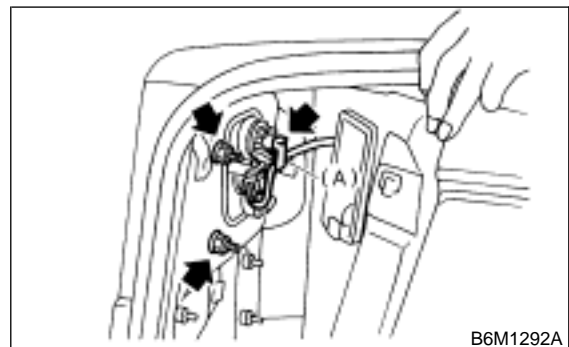


2) Remove hook (A) and then turn over the trunk side trim of rear portion.



3) Remove harness clip (A).

4) Remove three nuts and then detach rear combination light while disconnecting connector.



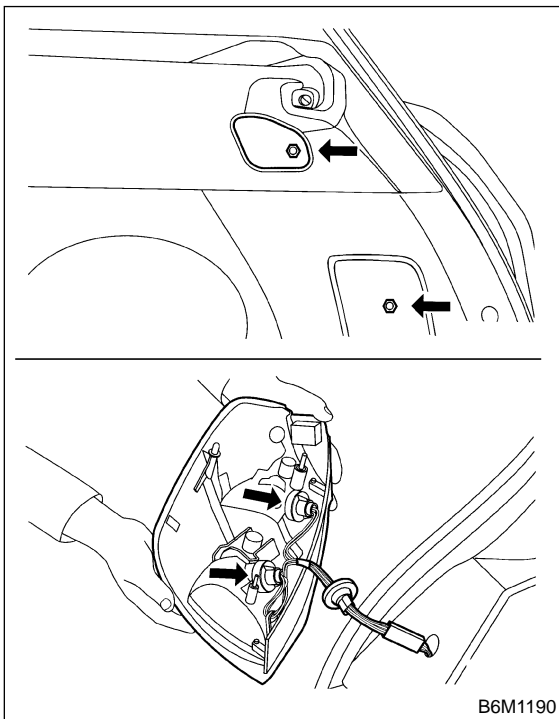
5) Installation is in the reverse order of removal.

3. REAR COMBINATION LIGHT (WAGON BODY)

- 1) Remove two rear quarter trim covers.
- 2) Remove two nuts and then remove rear combination light while disconnecting connector.

NOTE:

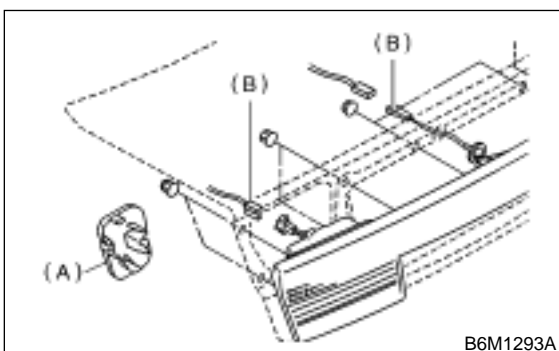
Before removing the nuts, apply a few turns of butyl tape to the tip of the service tool. This prevents the nuts from falling during removal.



- 3) Installation is in the reverse order of removal.

4. REAR FINISHER LIGHT (SEDAN BODY)

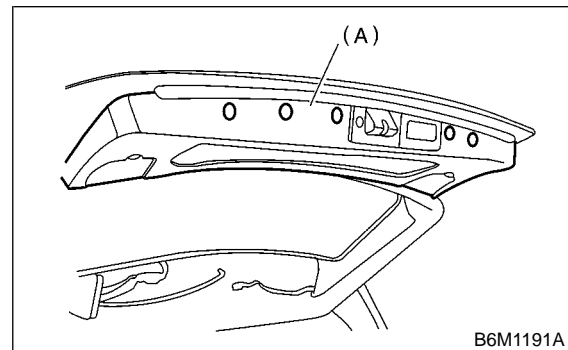
- 1) Open the trunk lid.
- 2) Remove cover (A).
- 3) Disconnect connector (B) from rear finisher light.
- 4) Remove ten nuts and then detach rear finisher light from trunk lid.



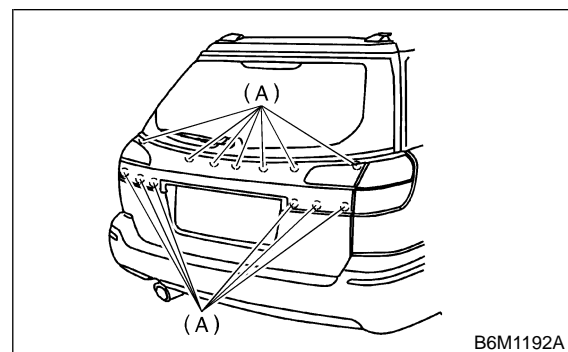
- 5) Installation is in the reverse order of removal.

5. REAR FINISHER LIGHT (WAGON BODY)

- 1) Remove rear gate trim lower (A).



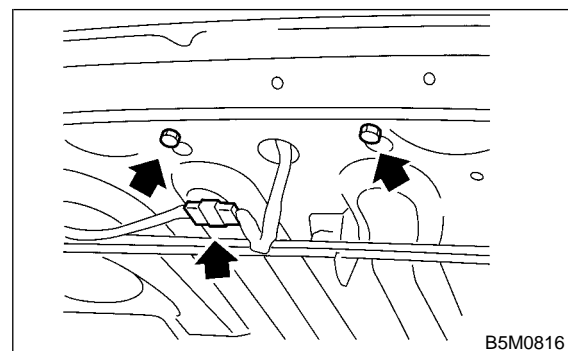
- 2) Disconnect connector from rear finisher light.
- 3) Remove bolts (A) and then remove rear finisher light from rear gate.



- 4) Installation is in the reverse order of removal.

6. HIGH-MOUNTED STOP LIGHT (SEDAN BODY WITHOUT REAR SPOILER)

- 1) Disconnect connector of high-mounted stop light from body harness.
- 2) Remove bolts, then detach high-mounted stop light assembly.

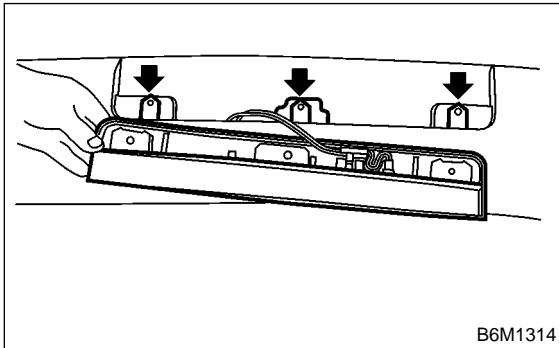


- 3) Installation is in the reverse order of removal.

4. Lighting

7. HIGH-MOUNTED STOP LIGHT (SEDAN BODY WITH REAR SPOILER)

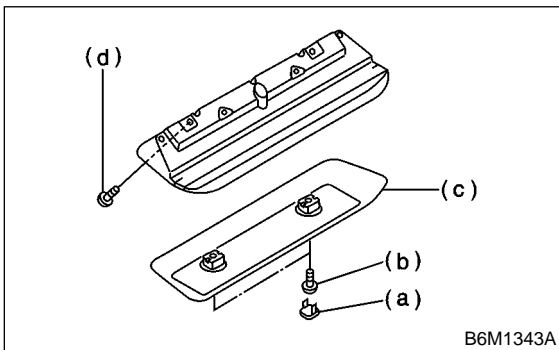
1) Remove three screws and then detach high-mounted stop light assembly while disconnecting connector.



2) Installation is in the reverse order of removal.

8. HIGH-MOUNTED STOP LIGHT (WAGON BODY)

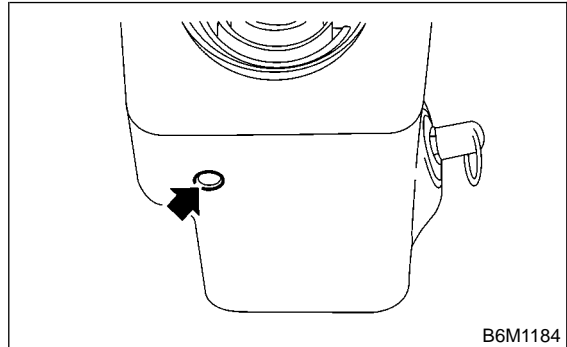
1) Remove cap (a) by prying on the edge with a screwdriver.
 2) Remove screws (b) and then detach cover (c).
 3) Remove screws (d) and then detach high-mounted stop light while disconnecting connector.



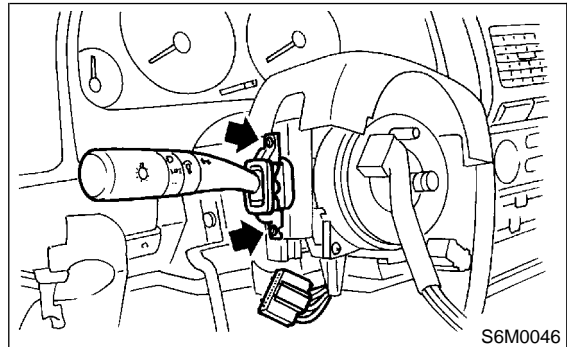
4) Installation is in the reverse order of removal.

9. COMBINATION SWITCH

1) Remove instrument panel lower cover. <Ref. to 5-4 [W1A0].>
 2) Remove screws which secure upper column cover to lower column cover.



3) Disconnect connector from combination switch.
 4) Remove screws which secure switch and remove switch.



5) Installation is in the reverse order of removal.

C: INSPECTION

1. COMBINATION SWITCH (LIGHTING)

Move combination switch to respective positions and check continuity between terminals.

• LIGHTING SWITCH

Terminal Switch position	16	14	13
OFF			
Tail	○	○	
Head	○	○	○

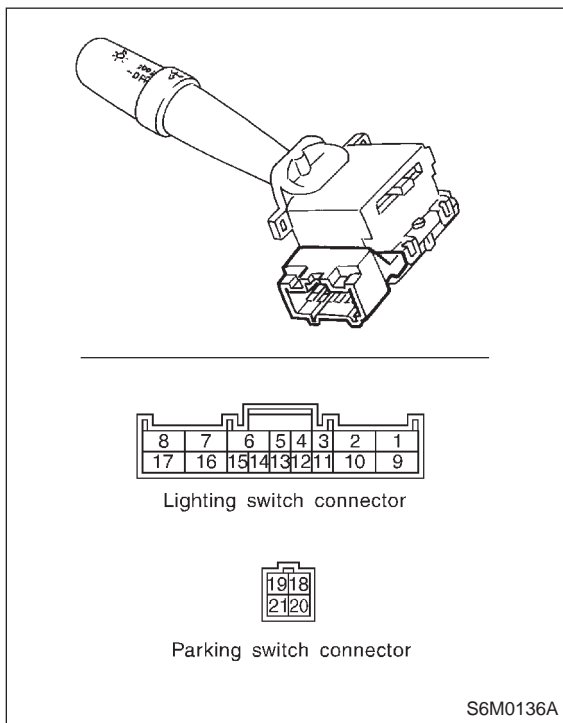
• PARKING SWITCH

Terminal Switch position	19	21	18
OFF	○	○	
ON		○	○

• DIMMER AND PASSING SWITCH

Terminal Switch position	16	17	7	8
Flash	○		○	○
Low beam	○	○		
HI-beam	○		○	

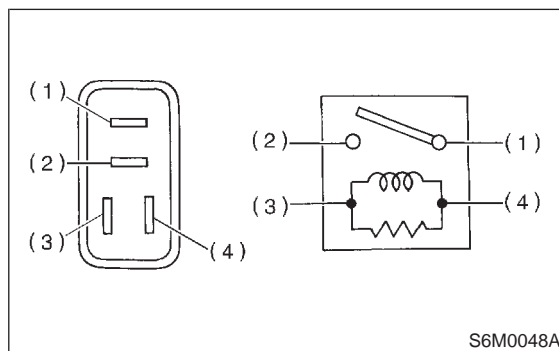
H6M0500B



2. HEADLIGHT RELAY

Check continuity between terminals when terminal No. 4 is connected to battery and terminal No. 3 is grounded.

When current flows.	Between terminals No. 1 and No. 2	Continuity exists.
When current does not flow.	Between terminals No. 1 and No. 2	Continuity does not exist.
	Between terminals No. 3 and No. 4	Continuity exists.



3. TAIL AND ILLUMINATION RELAY

Check continuity between terminals (indicated in table below) when terminal No. 4 is connected to battery and terminal No. 3 is grounded.

When current flows.	Between terminals No. 1 and No. 2	Continuity exists.
When current does not flow.	Between terminals No. 1 and No. 2	Continuity does not exist.
	Between terminals No. 3 and No. 4	Continuity exists.

