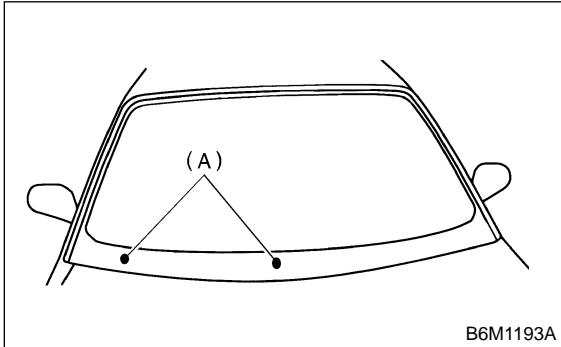


5. Front Wiper and Washer

A: ADJUSTMENT

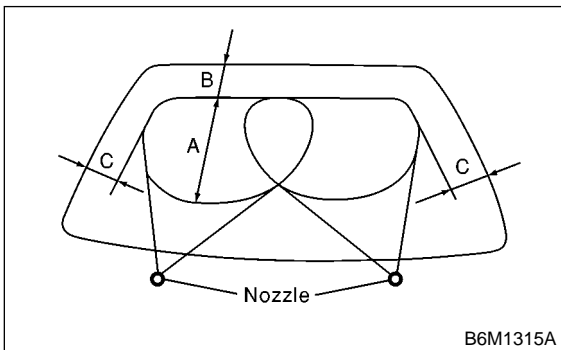
- 1) Turn the wiper switch to OFF position.
- 2) Adjust so that the blades meet the ceramic print point mark (A).



- 3) Adjust washer ejecting point on windshield glass as shown in figure when vehicle stops.

Ejecting point:

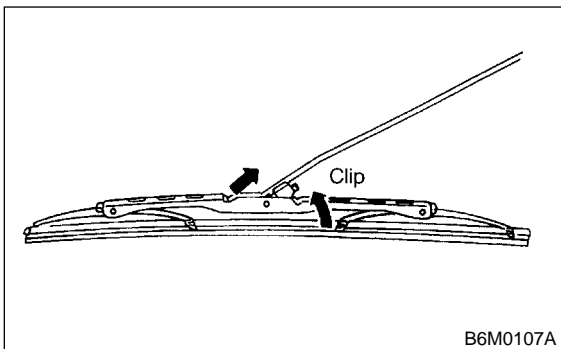
- A: 350 mm (13.78 in)
- B: 100 mm (3.94 in)
- C: 200 mm (7.87 in)



B: REMOVAL AND INSTALLATION

1. BLADE

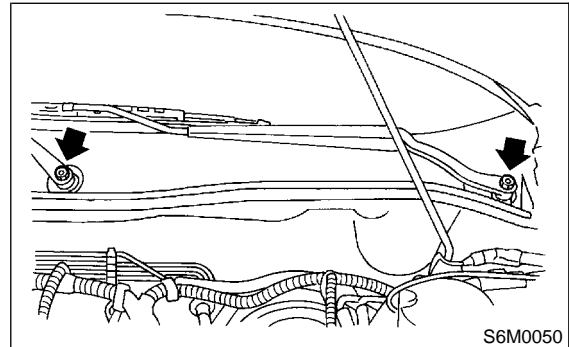
- 1) Pull out blade following the arrow direction, from arm while pushing up locking clip.



- 2) Installation is in the reverse order of removal.

2. WIPER ARM

- 1) Open front hood.
- 2) Remove cap. Remove the nut which secure wiper arm, and remove wiper arm.



- 3) Installation is in the reverse order of removal.

NOTE:

Remove metal sludge from the wiper arm fixture before installing it.

Tightening torque:

$20 \pm 3 \text{ N-m}$ ($2.0 \pm 0.3 \text{ kg-m}$, $14.5 \pm 2.2 \text{ ft-lb}$)

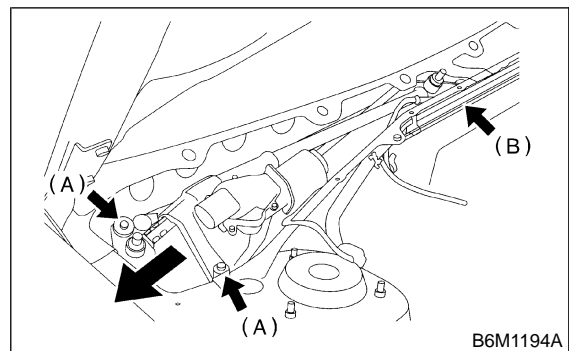
3. WIPER MOTOR AND LINK

- 1) Detach cowl panel. <Ref. to 5-1 [W10A0].>

NOTE:

Apply silicone oil or soap water to both sides of cowl net to facilitate removal.

- 2) Disconnect electric connector, and remove motor attaching bolts (A) and nut (B).
- 3) Remove wiper module from service hole in front panel.



- 4) Installation is in the reverse order of removal.

C: INSPECTION

1. COMBINATION SWITCH (FRONT WIPER)

Set wiper switch to each position and check continuity between terminals.

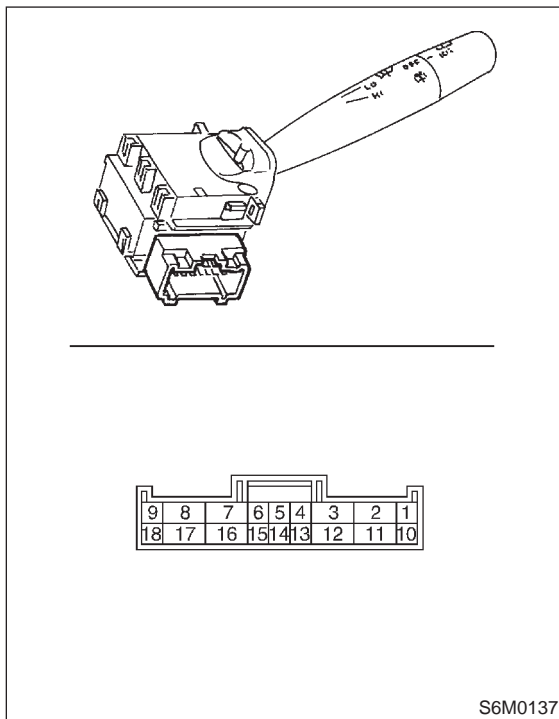
• Wiper switch

Terminal Switch position		16	7	17	8	INT1	INT2
OFF	OFF	○—○					
	MIST	×	—	×			
INT	OFF	○—○				○—○	
	MIST	×	—	×		○—○	
LO	OFF		○—○				
	MIST		○—○				
HI	OFF			○—○			
	MIST			○—○	○—○		

• Washer switch

Terminal Switch position	11	2
OFF		
ON	○—○	○—○

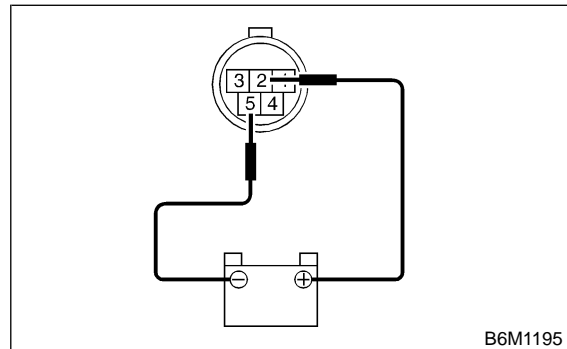
H6M0501B



S6M0137

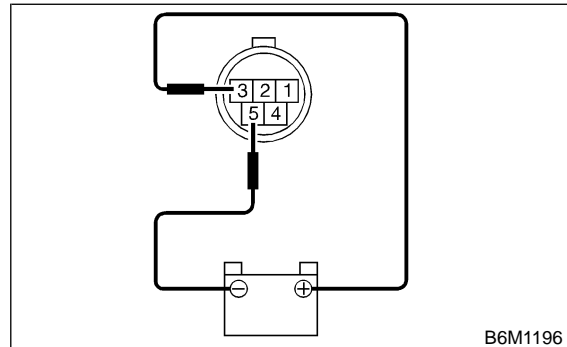
2. WIPER MOTOR

1) Check wiper motor operation at low speed: Connect battery to wiper motor. Check wiper motor for proper operation at low speed.



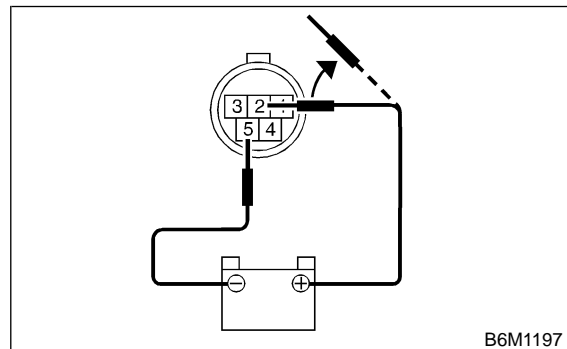
B6M1195

2) Check wiper motor operation at high speed: Connect battery wiper motor. Check wiper motor for proper operation at high speed.



B6M1196

3) Check wiper motor for proper stoppage: Connect battery to wiper motor. After operating wiper motor at low speed, disconnect battery to stop it.



B6M1197