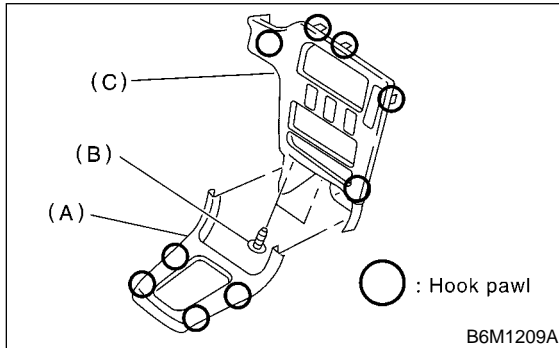


9. Radio, Speaker and Antenna

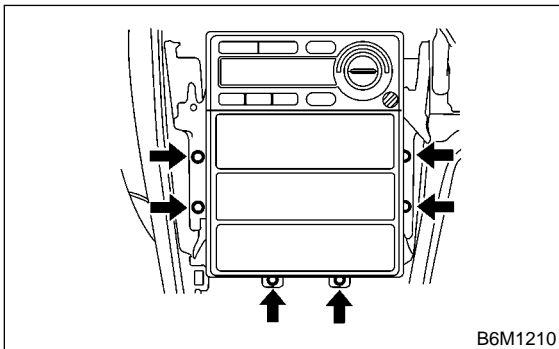
A: REMOVAL AND INSTALLATION

1. RADIO BODY

- 1) Remove front cover (A).
- 2) Remove two screws (B) and then remove center panel (C) while disconnecting connector.



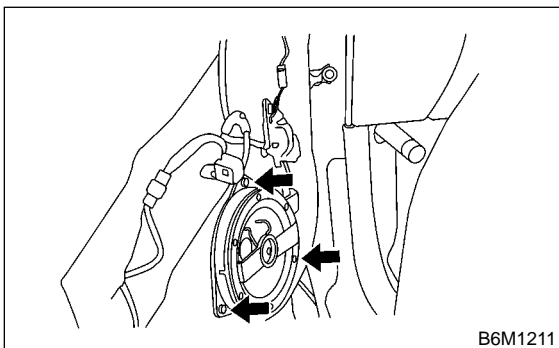
- 3) Remove fitting screws, and slightly pull radio out from center console.



- 4) Disconnect electric connectors and antenna feeder cord and then disconnect heater control unit.
- 5) Installation is in the reverse order of removal.

2. FRONT SPEAKER

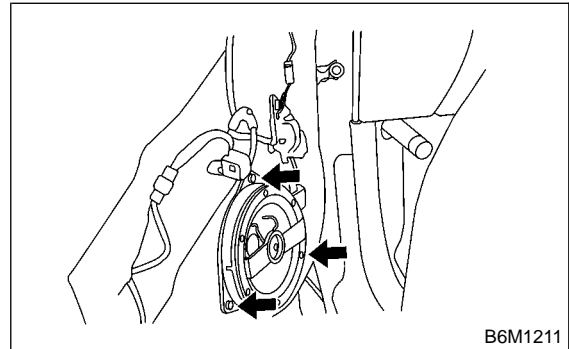
- 1) Remove front door trim and disconnect connector. <Ref. to 5-2 [W2A2].>
- 2) Remove screws which secure front speaker.



- 3) Remove speaker and disconnect connector.
- 4) Installation is in the reverse order of removal.

3. REAR SPEAKER

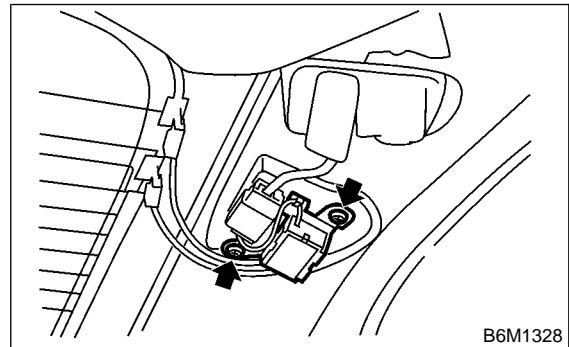
- 1) Remove rear door trim and disconnect connector. <Ref. to 5-2 [W2A2].>
- 2) Remove screws which secure rear speaker.



- 3) Remove speaker and disconnect connector.
- 4) Installation is in the reverse order of removal.

4. ANTENNA AMPLIFIER (SEDAN BODY)

- 1) Remove rear pillar upper trim. <Ref. to 5-3 [W5A2].>
- 2) Disconnect connector and terminal from antenna amplifier.
- 3) Remove antenna amplifier.



- 4) Installation is in the reverse order of removal.

5. ANTENNA AMPLIFIER (WAGON BODY)

- 1) Remove rear quarter lower trim. <Ref. to 5-3 [W500].>
- 2) Disconnect connector and terminal from antenna amplifier.
- 3) Remove antenna amplifier.

