

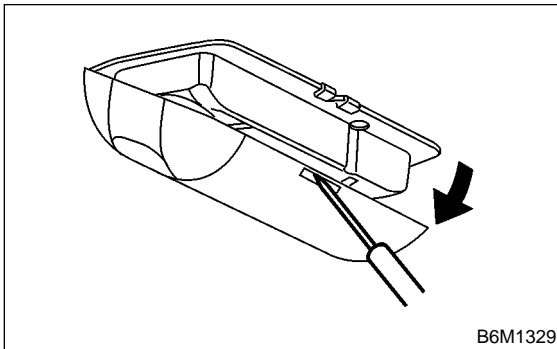
10. Dome/Rear Reading Lights

A: REMOVAL AND INSTALLATION

NOTE:

While sitting in the vehicle, be sure to touch the metal frame of the vehicle to allow all static electricity to be discharged prior to handling the dome light and the replacement dome light.

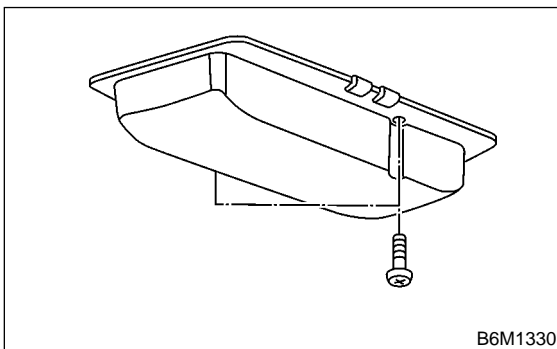
- 1) Disconnect GND cable from battery.
- 2) Remove dome light lens by inserting a small flat tipped screwdriver into center slot of the front face of the lens and press downward, causing the lens to bow and disengage from the mounting tabs.



- 3) Remove screws and then detach dome light while disconnecting connectors.

NOTE:

Take care not to touch the circuit board.



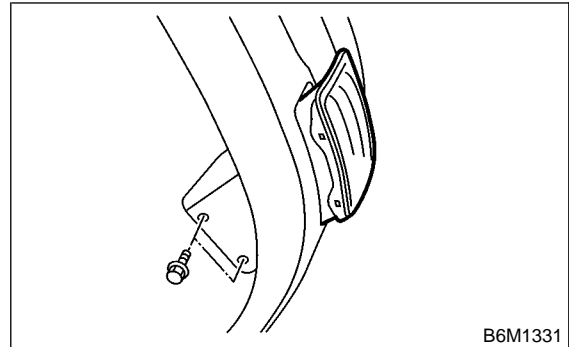
- 4) Installation is in the reverse order of removal.

11. Front Fog Light

A: REMOVAL AND INSTALLATION

1. EXCEPT OUTBACK

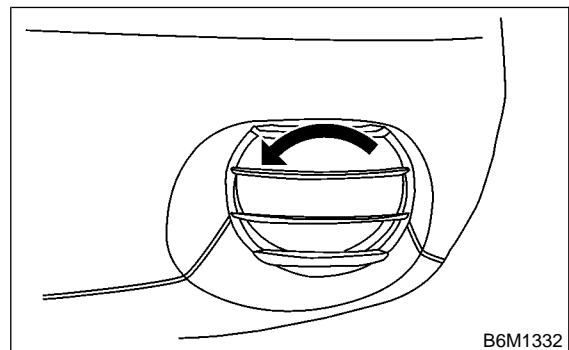
- 1) Lower the front of the mudguard just enough to facilitate subsequent procedures.
- 2) Disconnect connector.
- 3) Remove bolts and then remove front fog light.



- 4) Installation is in the reverse order of removal.

2. OUTBACK

- 1) Turn stone guard counterclockwise and then remove stone guard.



- 2) Remove bolts.

