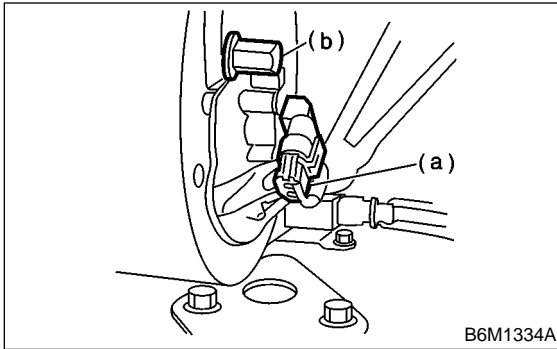


- 3) Lower the front of the mudguard just enough to facilitate subsequent procedures.
- 4) Disconnect connector (a).
- 5) Remove nut (b) and then remove front fog light.



- 6) Installation is in the reverse order of removal.

12. Cruise Control System

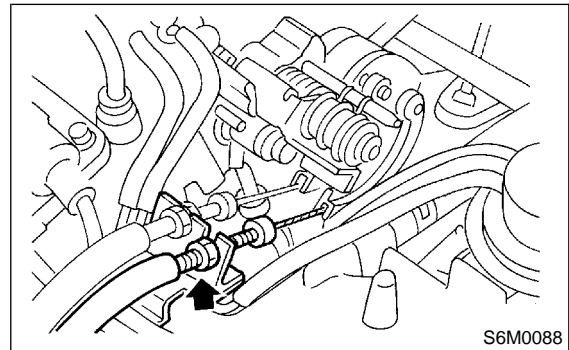
A: REMOVAL AND INSTALLATION

1. ACTUATOR

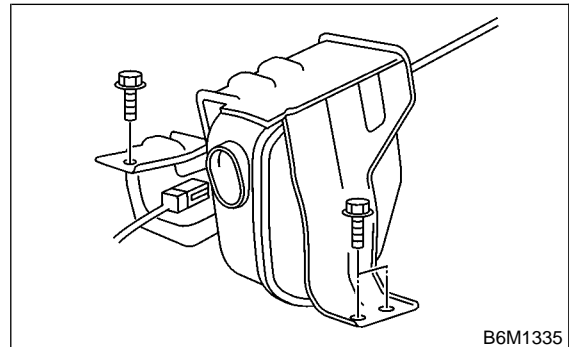
CAUTION:

- Be careful not to apply excessive load to the wire cable when adjusting and/or installing; otherwise, the actuator may be deformed or damaged.
- Do not bend cable sharply with a radius less than 100 mm (3.94 in); otherwise, cable may bend permanently, resulting in poor performance.
- When installing cable, be careful not to sharply bend or pinch the inner cable; otherwise, the cable may break.

- 1) Remove clip bands from cruise control cable.
- 2) Loosen nut which secures cruise control cable end to throttle cam and then remove cable from throttle cam.



- 3) Remove actuator attaching bolts.
- 4) Remove actuator while disconnecting connector.



- 5) Installation is in the reverse order of removal.

Tightening torque:

7.4 ± 2.0 N·m (0.75 ± 0.2 kg·m, 5.4 ± 1.4 ft·lb)

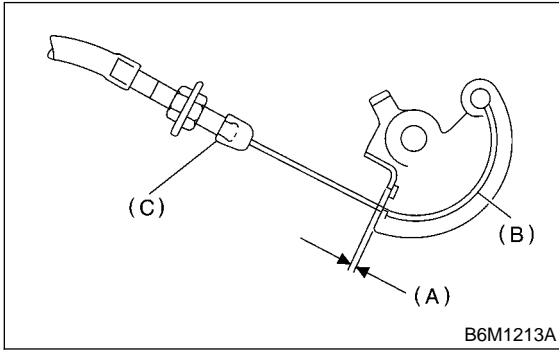
NOTE:

(A): Must be adjusted when cable end outer is fixed in place, so that gap between throttle cam and lever is 0 — 1 mm (0 — 0.04 in).

(Must be attached while throttle cam is being pulled by wire cable.)

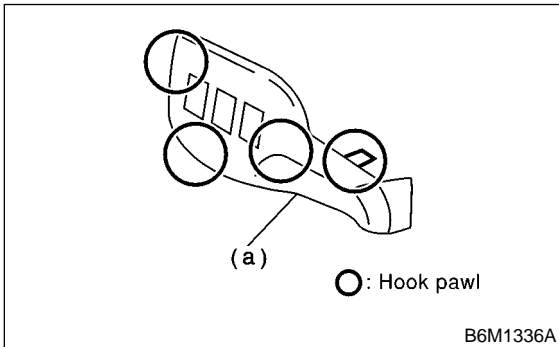
(B): Must be coated evenly on cam end inner connection.

(C): Cover must be inserted securely, until tip of cable touches cover stopper.

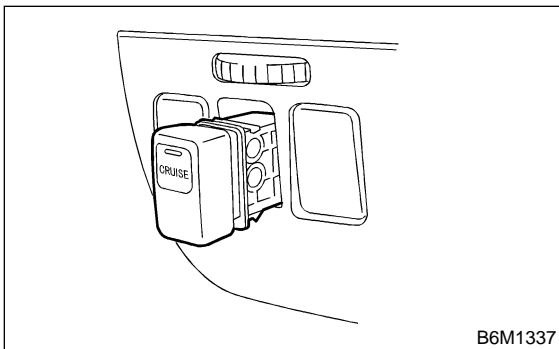


2. CRUISE CONTROL MAIN SWITCH

1) Remove switch panel (A) while disconnecting connector.



2) Remove main switch by pushing it outward.



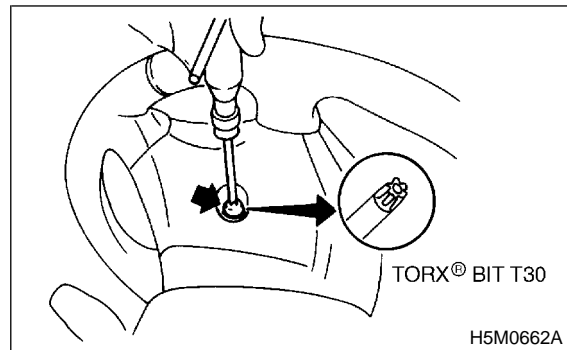
3) Installation is in the reverse order of removal.

3. CRUISE CONTROL COMMAND SWITCH

CAUTION:

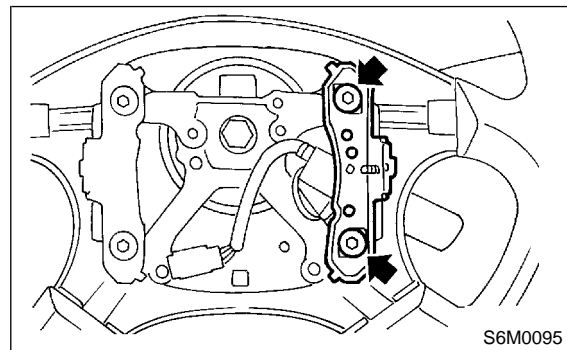
Before starting operation carefully read the notes given in Chapter 5-5 for proper handling of the airbag module. <Ref. to 5-5 [W3A0].>

- 1) Set front wheels in straight ahead position.
- 2) Turn ignition switch OFF.
- 3) Disconnect battery ground cable from battery and wait for at least 20 seconds before starting work.
- 4) Using TORX® BIT T30 (Tamper resistant type), loosen two TORX® bolts which secure driver's airbag module.

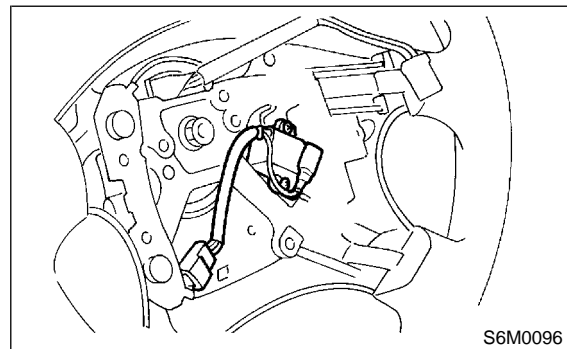


5) Disconnect airbag module connector on back of airbag module.

6) Remove horn switch from steering wheel as shown.



7) Disconnect horn and cruise control command switch connector, then remove cruise control command switch.



8) Installation is in the reverse order of removal.