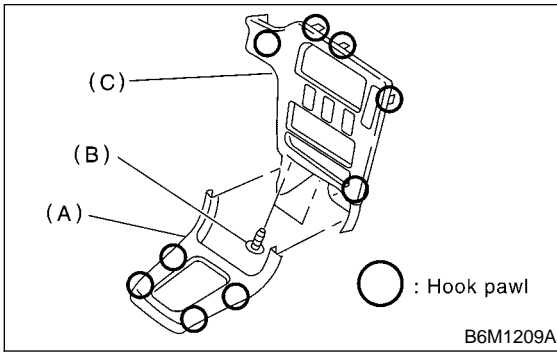


## 14. Security System

### A: REMOVAL AND INSTALLATION

#### 1. SECURITY CONTROL MODULE

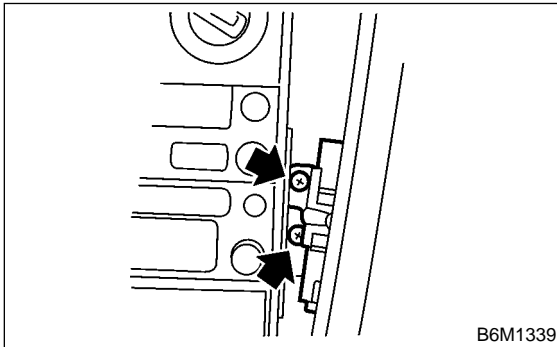
- 1) Disconnect battery ground cable.
- 2) Remove front cover (A).
- 3) Remove screws (B) and then detach center panel (C) while disconnecting connector.



- 4) Remove two screws.

**NOTE:**

Before removing the screw, apply a few turns of butyl tape to the tip of the service tool. This prevents the screw from falling during removal.



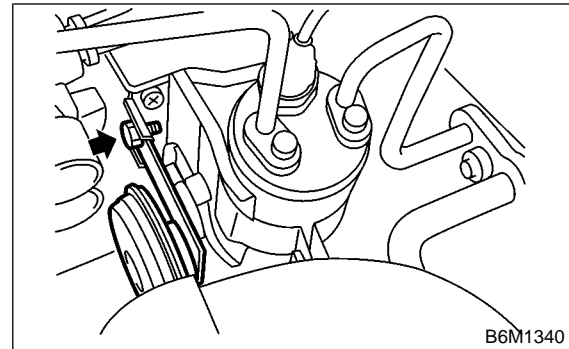
- 5) Remove radio and security control module together while disconnecting connector. <Ref. to 6-2 [W9A1].>
- 6) Installation is in the reverse order of removal.

**NOTE:**

To install the security control module, tighten screws securely so that the screws do not come loose.

#### 2. SECURITY HORN

- 1) Disconnect battery ground cable.
- 2) Remove bolt and then detach security horn while disconnecting connector.



- 3) Installation is in the reverse order of removal.

### B: INSPECTION

#### 1. IMPACT SENSOR

Perform impact sensitivity test.  
<Ref. to 6-2c [T6A18].>