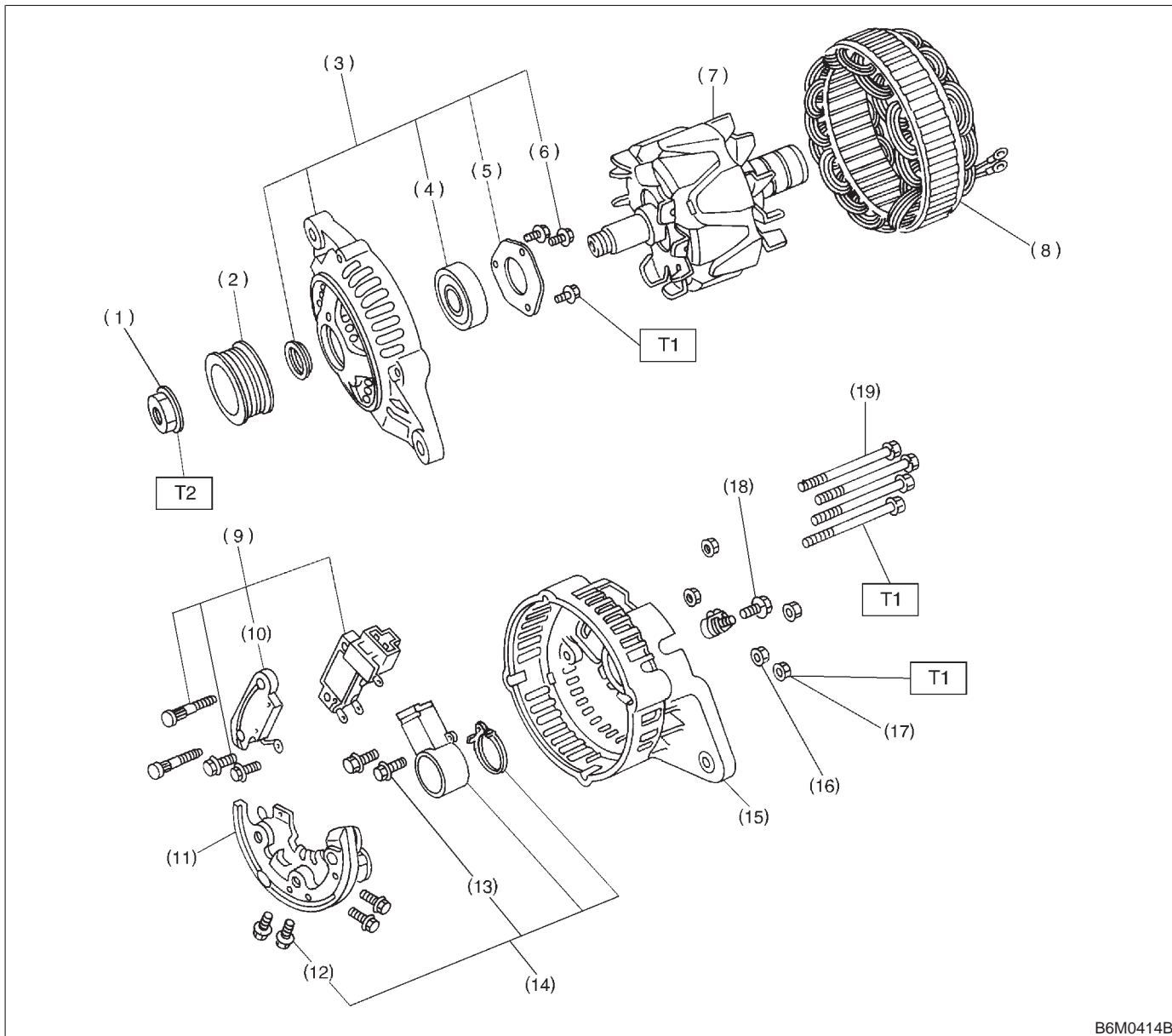


2. Generator



B6M0414B

- (1) Pulley nut
- (2) Pulley
- (3) Front cover ASSY
- (4) Ball bearing
- (5) Bearing retainer
- (6) Screw
- (7) Rotor
- (8) Stator coil
- (9) IC regulator ASSY
- (10) Condenser
- (11) Diode ASSY
- (12) Bolt
- (13) Bolt
- (14) Brush holder ASSY
- (15) Rear cover
- (16) BAT. terminal
- (17) Nut
- (18) Bolt

- (19) Through bolt

---

**Tightening torque: N-m (kg-m, ft-lb)**  
**T1: 3.1 — 4.4 (0.32 — 0.45, 2.3 — 3.3)**  
**T2: 63.7 — 83.4 (6.5 — 8.5, 47.0 — 61.5)**

---