

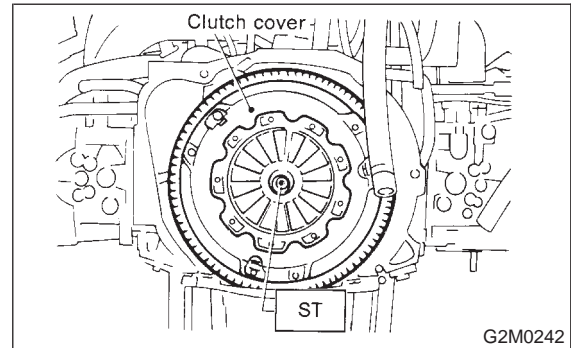
4) After remounting engine and transmission on body.
<Ref. to 2-11 [W2B0].>

4. Clutch Disc and Cover

A: REMOVAL

1) Install ST on flywheel.

ST 498497100 CRANKSHAFT STOPPER

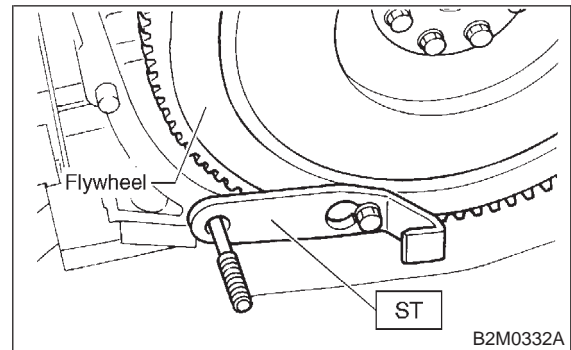


2) Remove clutch cover and clutch disc.

CAUTION:

- Take care not to allow oil on the clutch disc facing.
- Do not disassemble either clutch cover or clutch disc.

3) Remove flywheel.



B: INSPECTION

1. CLUTCH DISC

1) Facing wear

Measure the depth of rivet head from the surface of facing. Replace if facings are worn locally or worn down to less than the specified value.

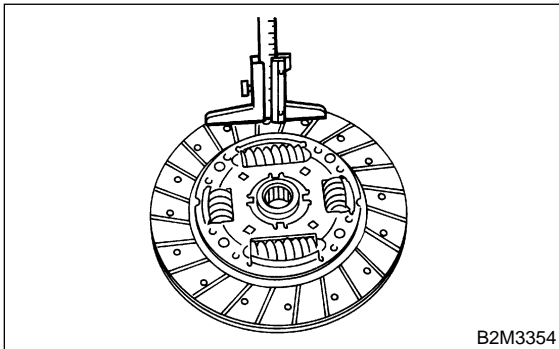
Depth of rivet head:

Limit of sinking

0.3 mm (0.012 in)

CAUTION:

Do not wash clutch disc with any cleaning fluid.

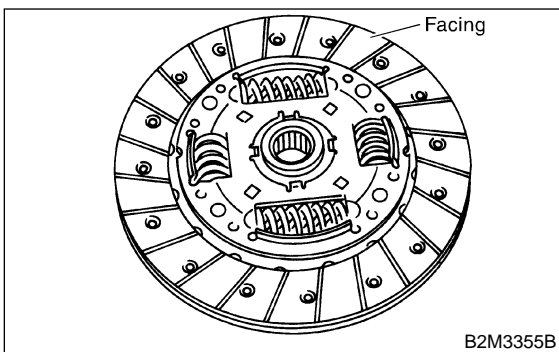


2) Hardened facing

Correct by using emery paper or replace.

3) Oil soakage on facing

Replace clutch disc and inspect transmission front oil seal, transmission case mating surface, engine rear oil seal and other points for oil leakage.



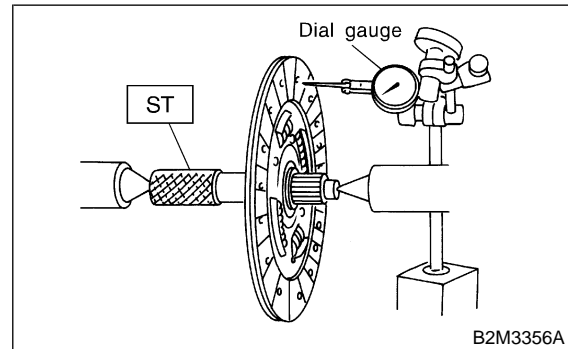
4) Deflection on facing

If deflection exceeds the specified value at the outer circumference of facing, repair or replace.

ST 499747100 CLUTCH DISC GUIDE

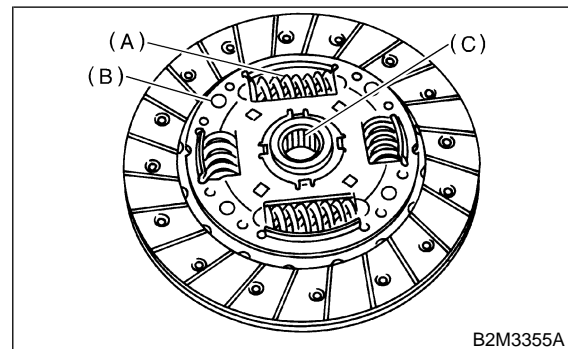
Limit for deflection:

1.0 mm (0.039 in) at R = 107 mm (4.21 in)



5) Worn spline, loose rivets and torsion spring failure

Replace defective parts.



- (A) Torsion spring
- (B) Rivet
- (C) Spline

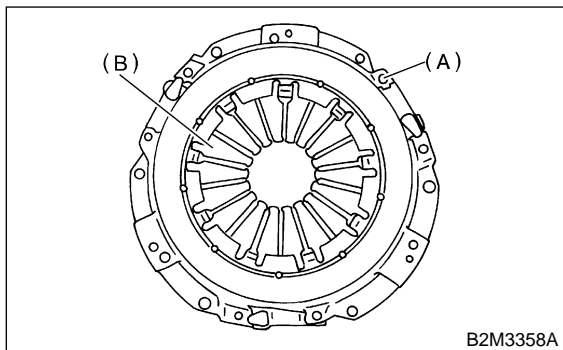
2. CLUTCH COVER

NOTE:

Visually check for the following items without disassembling, and replace or repair if defective.

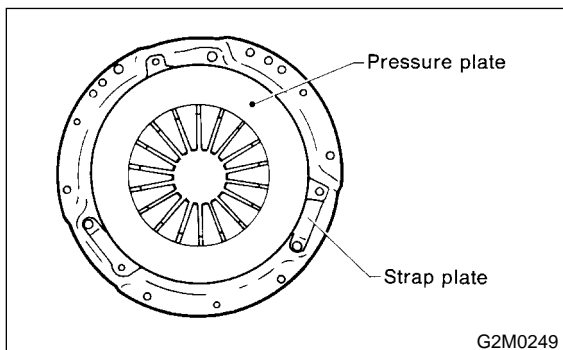
4. Clutch Disc and Cover

- 1) Loose thrust rivet.
- 2) Damaged or worn bearing contact area at center of diaphragm spring.



- (A) Thrust rivet
- (B) Diaphragm spring

- 3) Damaged or worn disc contact surface of pressure plate.
- 4) Loose strap plate setting bolt.
- 5) Worn diaphragm sliding surface.

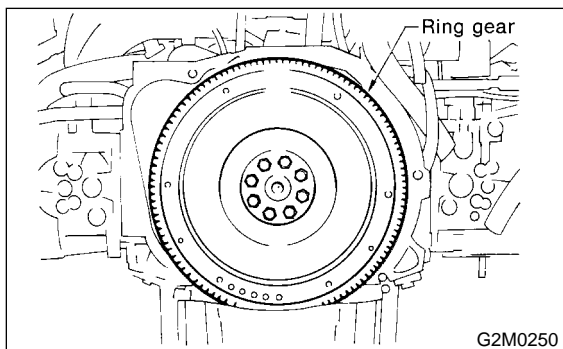


3. FLYWHEEL

CAUTION:

Since this bearing is grease sealed and is of a non-lubrication type, do not wash with gasoline or any solvent.

- 1) Damage of facing and ring gear
If defective, replace flywheel.

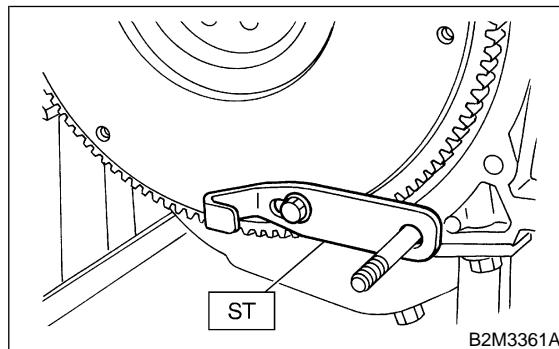


- 2) Smoothness of rotation
Rotate ball bearing applying pressure in thrust direction.

- 3) If noise or excessive play is noted, replace flywheel.

C: INSTALLATION

- 1) Install flywheel and ST.
ST 498497100 CRANKSHAFT STOPPER



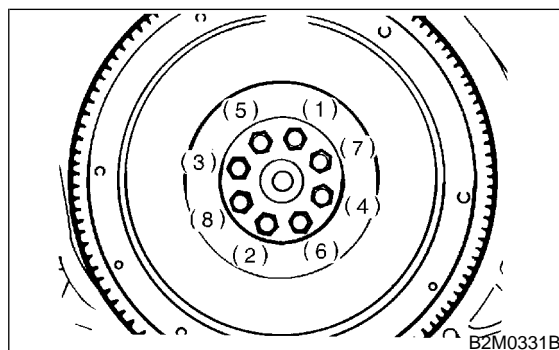
- 2) Tighten the flywheel attaching bolts to the specified torque.

NOTE:

Tighten flywheel installing bolts gradually. Each bolt should be tightened to the specified torque in a crisscross fashion.

Tightening torque:

72±3 N·m (7.3±0.3 kg·m, 52.8±2.2 ft·lb)



- 3) Insert ST into the clutch disc and install them on the flywheel by inserting the ST end into the pilot bearing.

ST 499747100 CLUTCH DISC GUIDE

