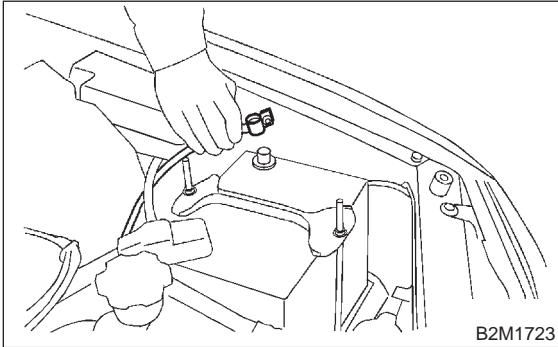


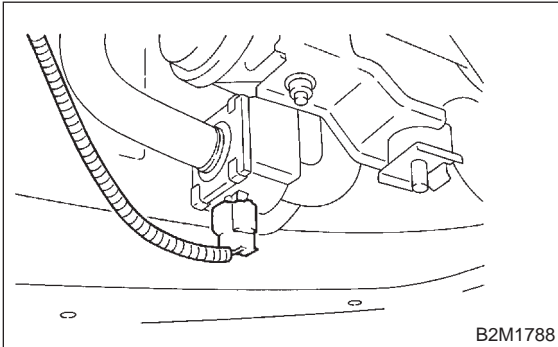
10. Drain Filter

A: REMOVAL AND INSTALLATION

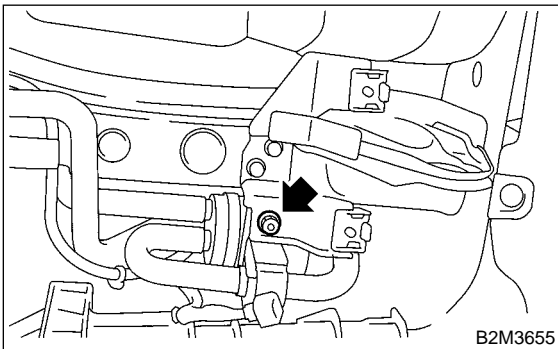
- 1) Set the vehicle on the lift.
- 2) Disconnect battery ground cable.



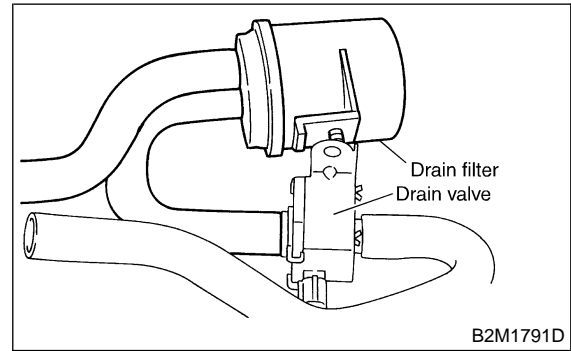
- 3) Lift-up the vehicle.
- 4) Remove canister. <Ref. to 2-1 [W3A0].>
- 5) Disconnect connector from drain valve.



- 6) Remove nut which installs drain filter and drain valve brackets on body, and remove them as a unit.



- 7) Disconnect evaporation hoses, and remove drain filter.



- 8) Installation is in the reverse order of removal.

Tightening torque:

$22.5 \pm 7 \text{ N}\cdot\text{m}$ ($2.3 \pm 0.7 \text{ kg}\cdot\text{m}$, $16.6 \pm 5.1 \text{ ft}\cdot\text{lb}$)

