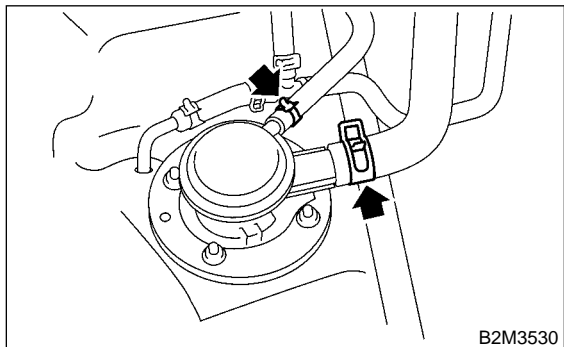


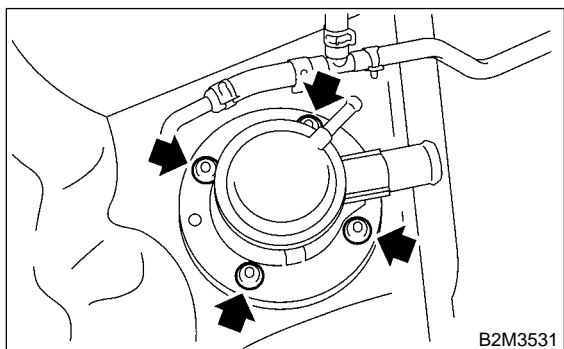
11. Vent Valve

A: REMOVAL AND INSTALLATION

- 1) Remove fuel tank. <Ref. to 2-8 [W1C0].>
- 2) Move clips, and disconnect hoses from vent valve.



- 3) Remove nuts which install vent valve on fuel tank.



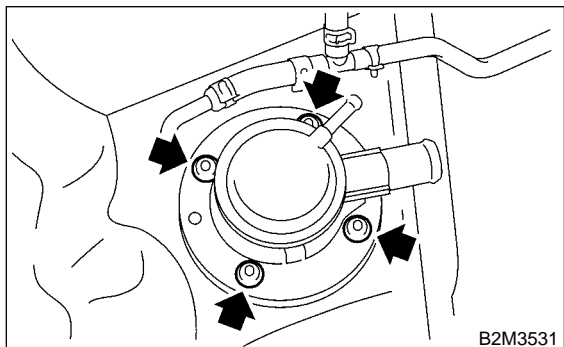
- 4) Installation is in the reverse order of removal.

CAUTION:

Replace rubber seat with a new one.

Tightening torque:

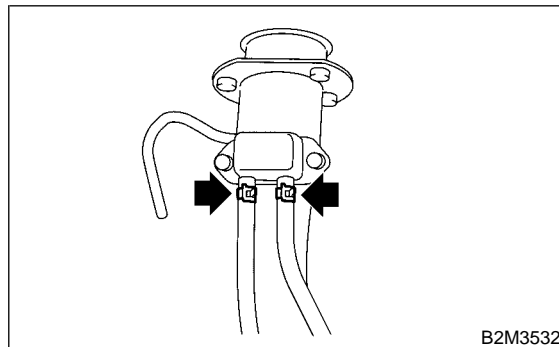
$4.4 \pm 1.5 \text{ N}\cdot\text{m}$ ($0.45 \pm 0.15 \text{ kg}\cdot\text{m}$, $3.3 \pm 1.1 \text{ ft}\cdot\text{lb}$)



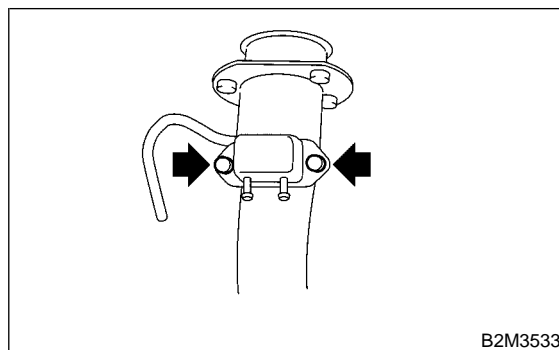
12. Shut Valve

A: REMOVAL AND INSTALLATION

- 1) Drain fuel from fuel tank. <Ref. to 2-8 [W1B0].>
- 2) Remove fuel filler pipe. <Ref. to 2-8 [W3A0].>
- 3) Disconnect evaporation hoses from shut valve.



- 4) Remove shut valve from fuel filler pipe.



- 5) Installation is in the reverse order of removal.

Tightening torque:

$4.4 \pm 1.5 \text{ N}\cdot\text{m}$ ($0.45 \pm 0.15 \text{ kg}\cdot\text{m}$, $3.3 \pm 1.1 \text{ ft}\cdot\text{lb}$)

