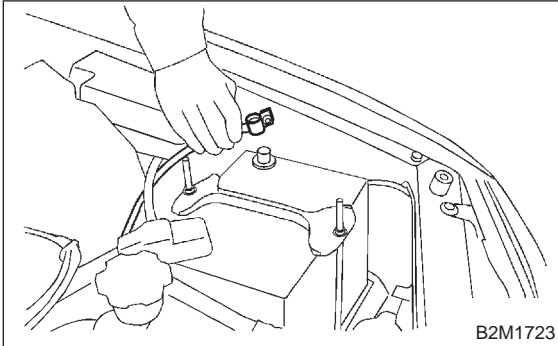


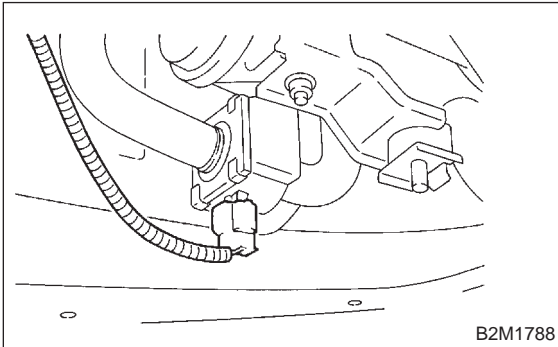
## 13. Drain Valve

### A: REMOVAL AND INSTALLATION

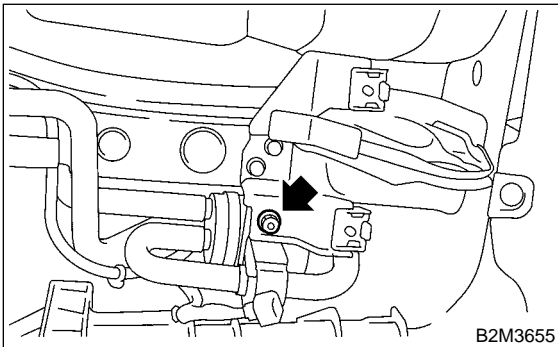
- 1) Set the vehicle on the lift.
- 2) Disconnect battery ground cable.



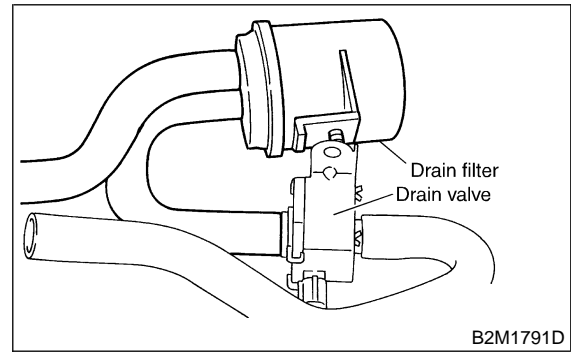
- 3) Lift-up the vehicle.
- 4) Remove canister. <Ref. to 2-1 [W3A0].>
- 5) Disconnect connector from drain valve.



- 6) Remove bolt which installs air filter and drain valve brackets on body.



- 7) Disconnect evaporation hose and remove drain valve.



- 8) Installation is in the reverse order of removal.

#### **Tightening torque:**

**$22.5 \pm 7$  N·m ( $2.3 \pm 0.7$  kg·m,  $16.6 \pm 5.1$  ft·lb)**

