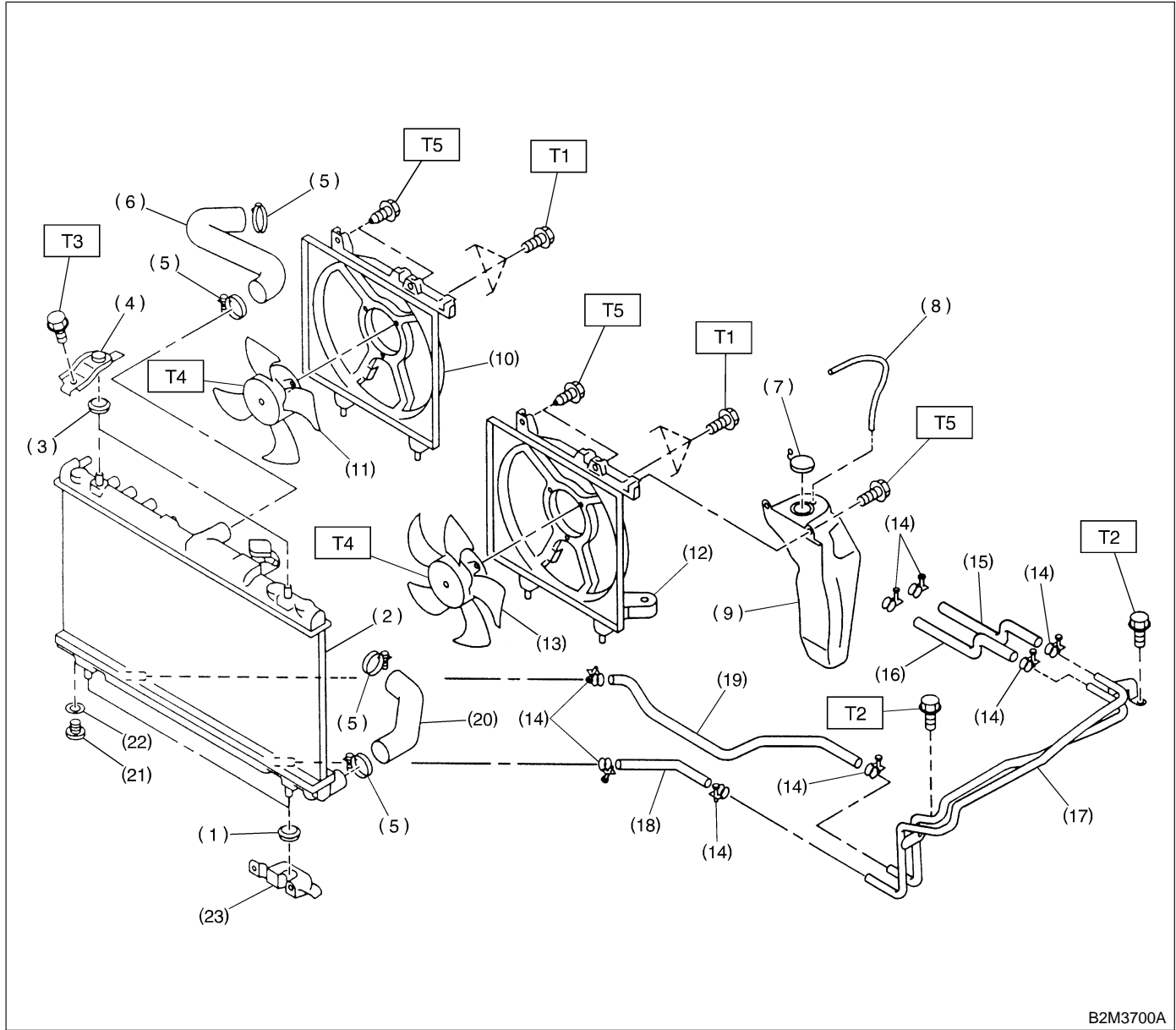


2. Radiator and Radiator Fan



B2M3700A

- | | | |
|----------------------------------------------|------------------------------------------------|------------------------------------------|
| (1) Radiator lower cushion | (12) Main fan shroud | (19) ATF inlet hose B (AT vehicles only) |
| (2) Radiator | (13) Radiator main fan and main fan motor ASSY | (20) Radiator outlet hose |
| (3) Radiator upper cushion | (14) ATF hose clamp (AT vehicles only) | (21) Radiator drain plug |
| (4) Radiator upper bracket | (15) ATF inlet hose A (AT vehicles only) | (22) O-ring |
| (5) Clamp | (16) ATF outlet hose A (AT vehicles only) | (23) Radiator lower bracket |
| (6) Radiator inlet hose | (17) ATF pipe (AT vehicles only) | |
| (7) Engine coolant reservoir tank cap | (18) ATF outlet hose B (AT vehicles only) | |
| (8) Over flow hose | | |
| (9) Engine coolant reservoir tank | | |
| (10) Sub fan shroud | | |
| (11) Radiator sub fan and sub fan motor ASSY | | |

Tightening torque: N·m (kg·m, ft·lb)

T1: 4.4±0.5 (0.45±0.05, 3.3±0.4)

T2: 12±3 (1.2±0.3, 8.7±2.2)

T3: 18±5 (1.8±0.5, 13.0±3.6)

T4: 3.4±0.5 (0.35±0.05, 2.5±0.4)

T5: 4.9±1.5 (0.50±0.15, 3.6±1.1)