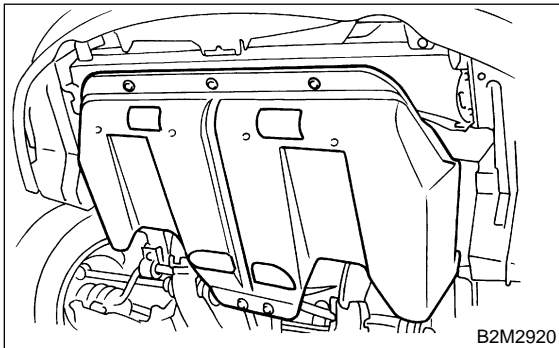


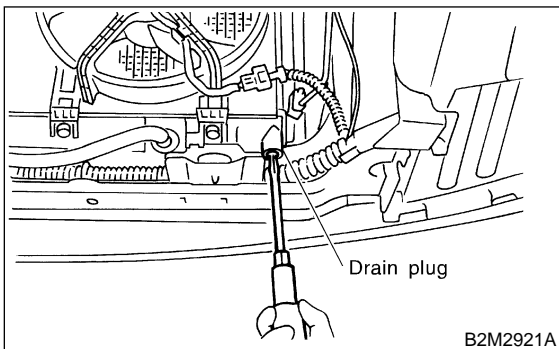
2. Thermostat

A: REMOVAL AND INSTALLATION

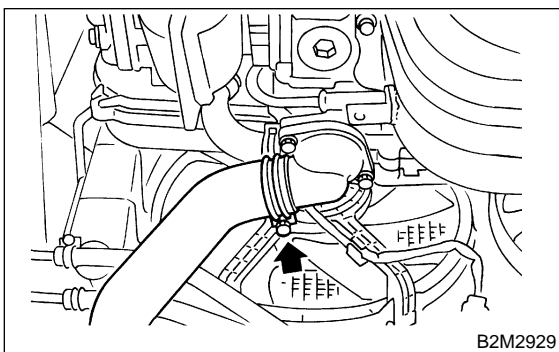
- 1) Lift-up the vehicle.
- 2) Remove under cover.



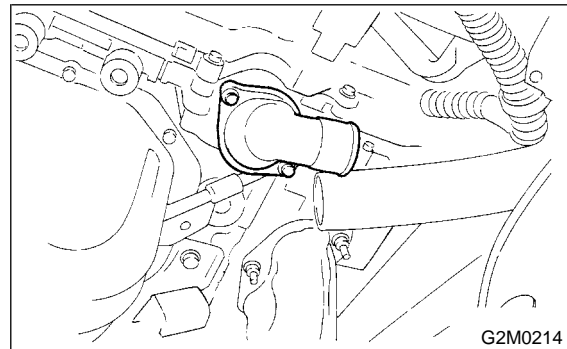
- 3) Drain engine coolant completely. <Ref. to 2-5 [W9A0].>



- 4) Disconnect radiator outlet hose from thermostat cover.



- 5) Remove thermostat cover and gasket, and pull out the thermostat.



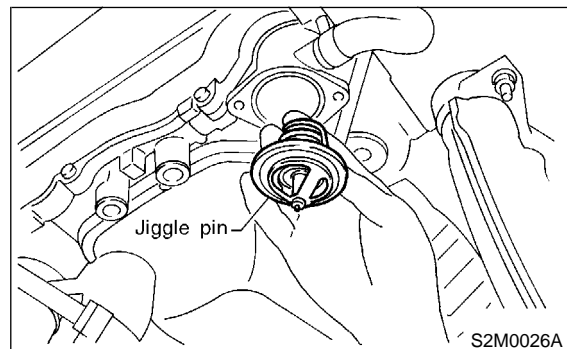
- 6) Install the thermostat in the water pump, and install the thermostat cover together with a gasket.

CAUTION:

- When reinstalling the thermostat, use a new gasket.
- The thermostat must be installed with the jiggle pin facing to front side.
- At this time, set the jiggle pin of thermostat for front side.

Tightening torque:

6.4 ± 0.5 N·m (0.65 ± 0.05 kg·m, 4.7 ± 0.4 ft·lb)



- 7) Fill coolant. <Ref. to 2-5 [W9B0].>