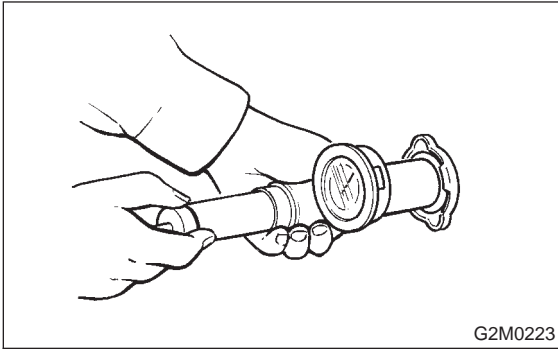


## 4. Radiator Cap

### A: INSPECTION

- 1) Attach radiator cap to tester.



- 2) Increase pressure until tester gauge pointer stops. Radiator cap is functioning properly if it holds the service limit pressure for five to six seconds.

**Standard pressure:**

93 — 123 kPa (0.95 — 1.25 kg/cm<sup>2</sup>, 14 — 18 psi)

**Service limit pressure:**

83 kPa (0.85 kg/cm<sup>2</sup>, 12 psi)

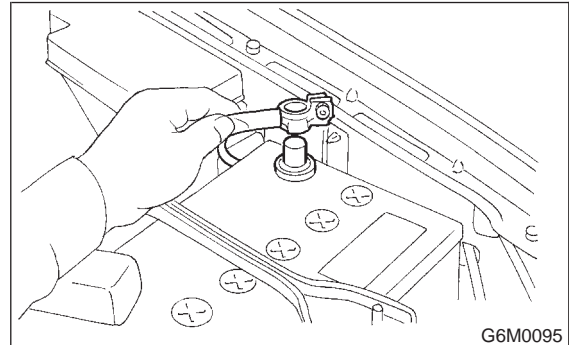
**CAUTION:**

Be sure to remove foreign matter and rust from the cap in advance otherwise, results of pressure test will be incorrect.

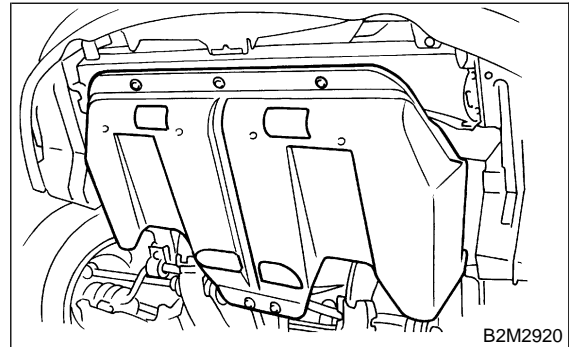
## 5. Radiator Main Fan and Fan Motor

### A: REMOVAL AND INSTALLATION

- 1) Disconnect battery ground cable.



- 2) Lift-up the vehicle.
- 3) Remove under cover.



- 4) Disconnect connector of main fan motor.

