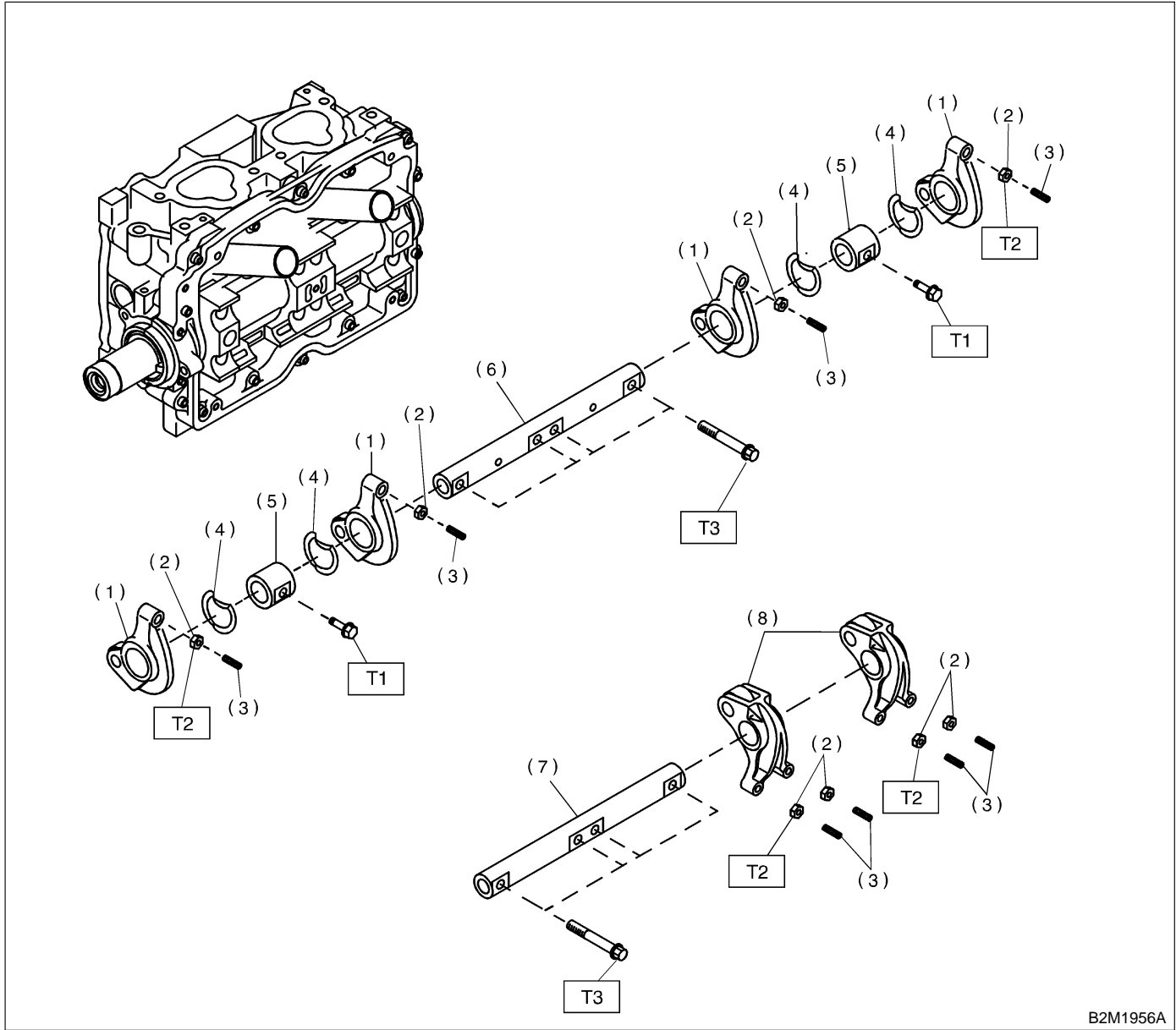


## 6. Valve Rocker Assembly



B2M1956A

- |                               |                              |
|-------------------------------|------------------------------|
| (1) Intake valve rocker arm   | (6) Intake rocker shaft      |
| (2) Valve rocker nut          | (7) Exhaust rocker shaft     |
| (3) Valve rocker adjust screw | (8) Exhaust valve rocker arm |
| (4) Spring                    |                              |
| (5) Rocker shaft support      |                              |

**Tightening torque: N·m (kg·m, ft·lb)**

**T1: 5±1 (0.5±0.1, 3.6±0.7)**

**T2: 10±1 (1.0±0.1, 7.2±0.7)**

**T3: 25±2 (2.5±0.2, 18.1±1.4)**