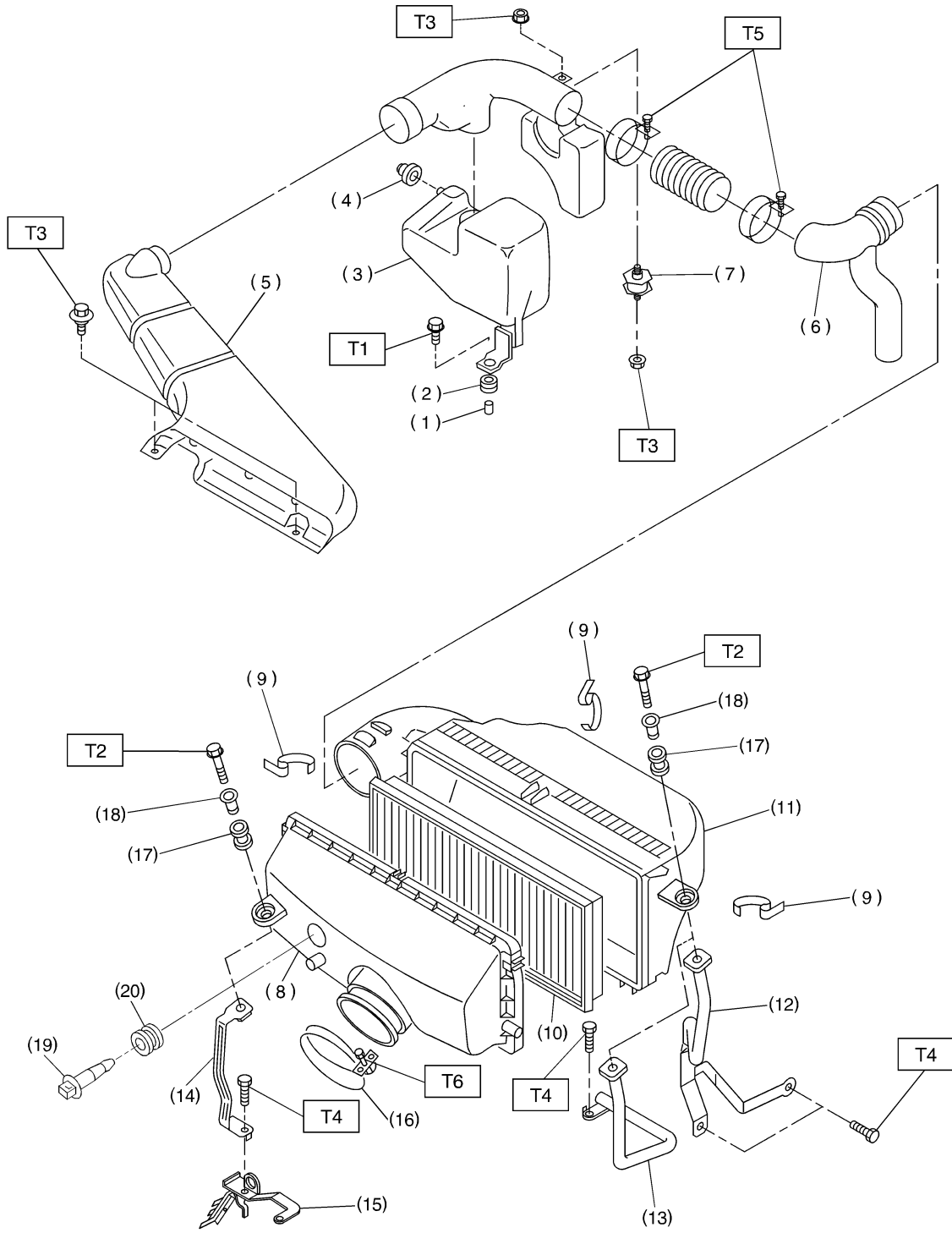


3. Air Cleaner



B2M3456A

- |                          |   |
|--------------------------|---|
| (1) Spacer               | (12) Air cleaner case stay LH (MT vehicles) |
| (2) Bush                 | (13) Air cleaner case stay LH (AT vehicles) |
| (3) Air chamber          | (14) Air cleaner case stay RH               |
| (4) Cushion rubber       | (15) Engine harness bracket                 |
| (5) Air intake duct A    | (16) Clamp                                  |
| (6) Air intake duct B    | (17) Bush                                   |
| (7) Cushion              | (18) Spacer                                 |
| (8) Air cleaner case A   | (19) Intake air temperature sensor          |
| (9) Clip                 | (20) Rubber bush                            |
| (10) Air cleaner element |   |
| (11) Air cleaner case B  |   |

---

**Tightening torque: N·m (kg·m, ft·lb)**

**T1: 33±10 (3.4±1.0, 24.6±7.2)**

**T2: 6.4±0.5 (0.65±0.05, 4.7±0.4)**

**T3: 7.4±2.0 (0.75±0.2, 5.4±1.4)**

**T4: 16±5 (1.6±0.5, 11.6±3.6)**

**T5: 2.5±0.5 (0.25±0.05, 1.8±0.4)**

**T6: 2.9±1.0 (0.3±0.1, 2.2±0.7)**

---