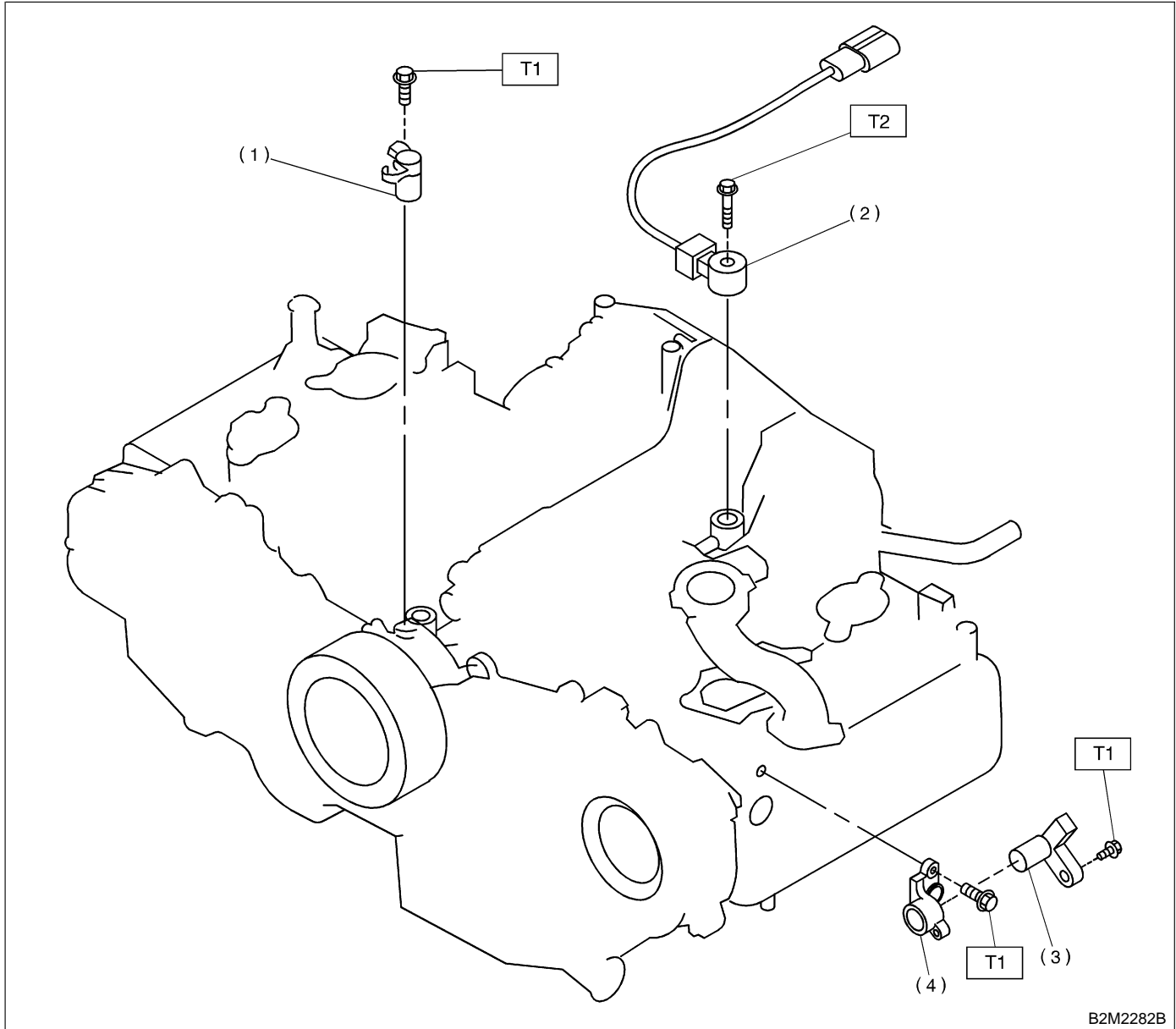


4. Crankshaft Position, Camshaft Position and Knock Sensors



(1) Crankangle position sensor
 (2) Knock sensor

(3) Camshaft position sensor
 (4) Camshaft position sensor support

Tightening torque: N-m (kg-m, ft-lb)

T1: 6.4±0.5 (0.65±0.05, 4.7±0.4)

T2: 23.5±2.9 (2.4±0.3, 17.4±2.2)