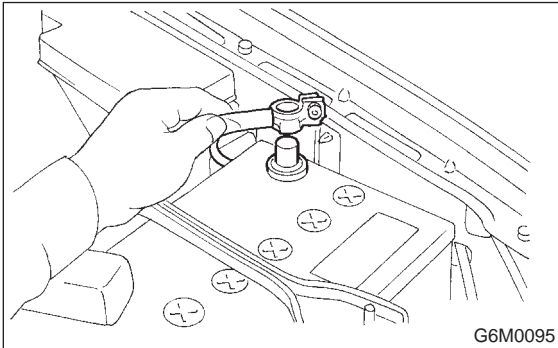


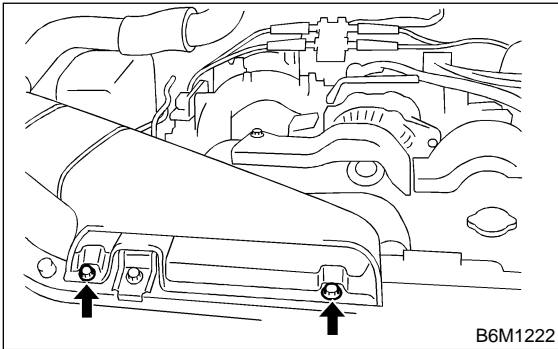
**1. Air Cleaner Case and Air Intake Duct**

**A: REMOVAL AND INSTALLATION**

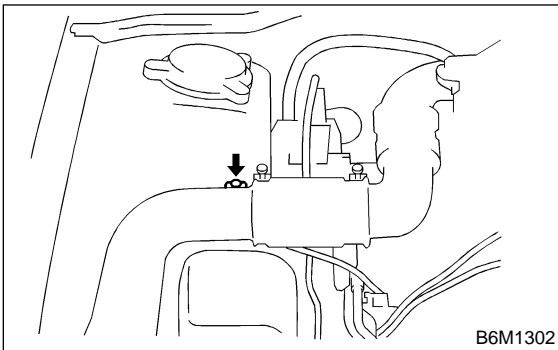
1) Disconnect battery ground cable.



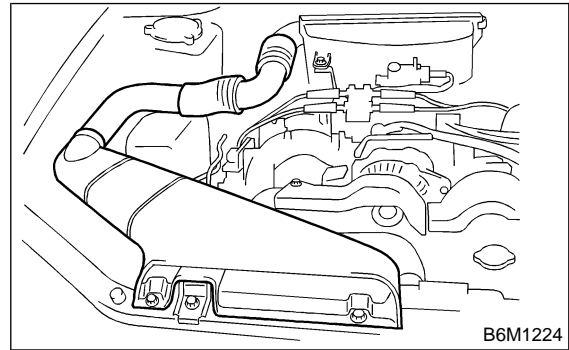
2) Remove bolts which install air intake duct on the front side of body.



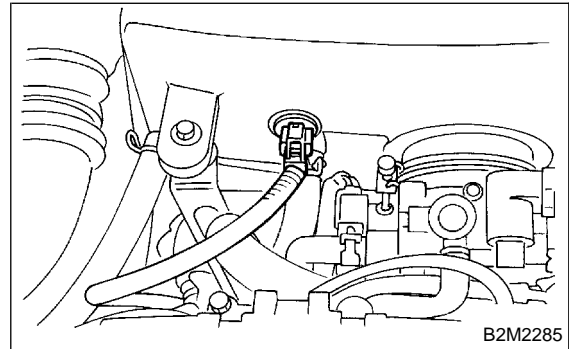
3) Remove bolt which installs air intake duct on body.



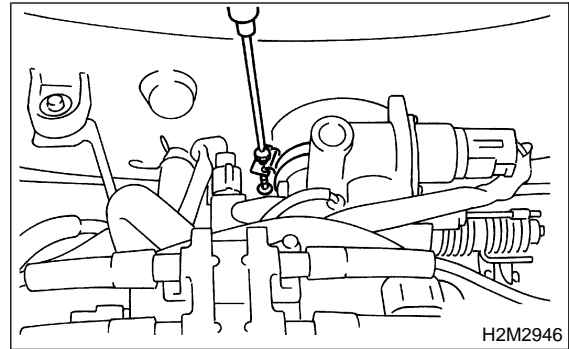
4) Remove air intake ducts as a unit.



5) Disconnect connector from intake air temperature sensor. (MT vehicles)

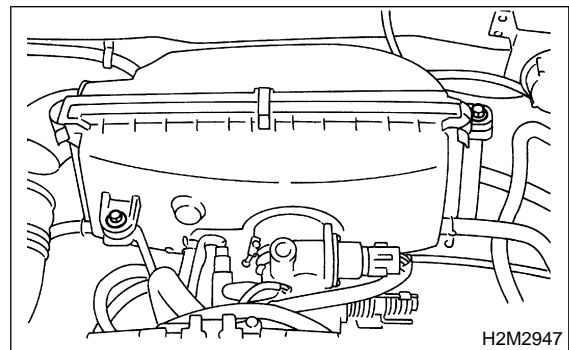


6) Loosen clamp which connects air cleaner case to throttle body.



7) Disconnect hoses from air cleaner case.

8) Remove bolts which install air cleaner case to stays.



9) Remove air cleaner case.

10) Installation is in the reverse order of removal.