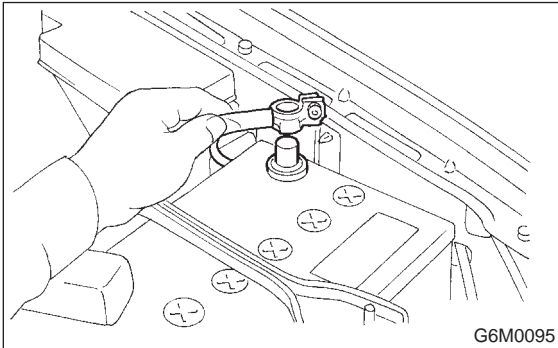


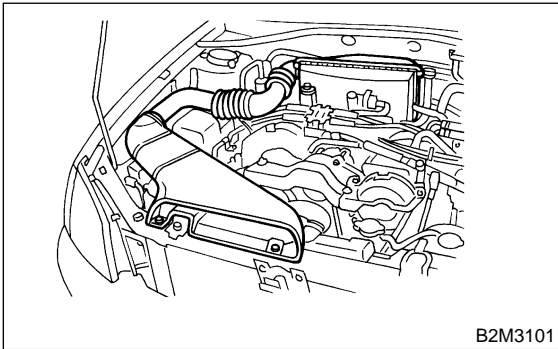
## 4. Engine Coolant Temperature Sensor

### A: REMOVAL AND INSTALLATION

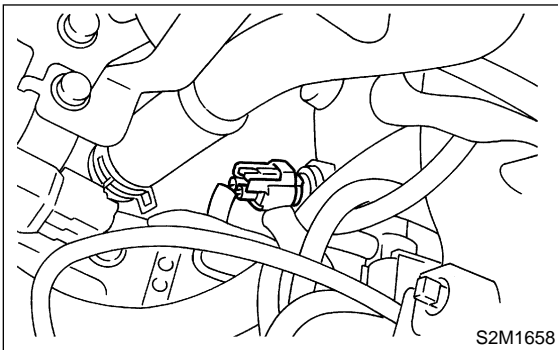
- 1) Disconnect battery ground cable.



- 2) Remove air intake duct and air cleaner assembly. <Ref. to 2-7 [W1A0].>



- 3) Disconnect connector from engine coolant temperature sensor.



- 4) Remove engine coolant temperature sensor.
- 5) Installation is in the reverse order of removal.

**Tightening torque:**

**$25 \pm 3 \text{ N}\cdot\text{m}$  ( $2.5 \pm 0.3 \text{ kg}\cdot\text{m}$ ,  $18.1 \pm 2.2 \text{ ft}\cdot\text{lb}$ )**

