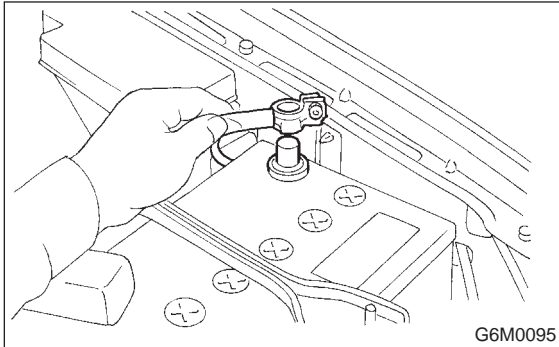


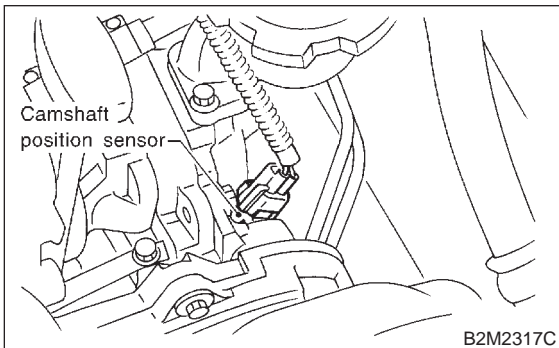
6. Camshaft Position Sensor

A: REMOVAL AND INSTALLATION

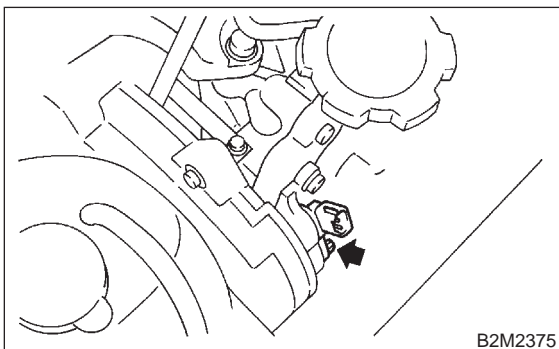
1) Disconnect battery ground cable.



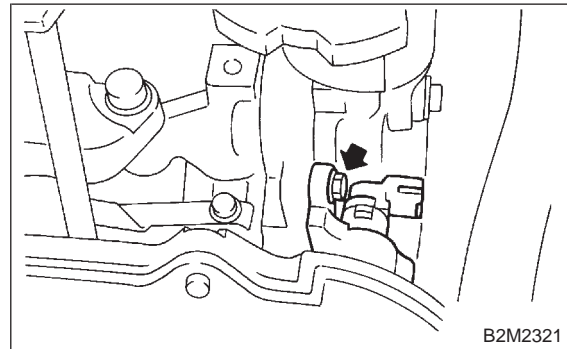
2) Disconnect connector from camshaft position sensor.



3) Remove bolt which installs camshaft position sensor to camshaft position sensor support.

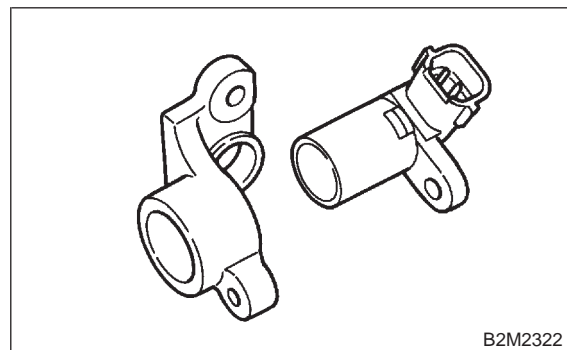


4) Remove bolt which installs camshaft position sensor support to camshaft cap LH.



5) Remove camshaft position sensor and camshaft position sensor support as a unit.

6) Remove camshaft position sensor itself.



7) Installation is in the reverse order of removal.

Tightening torque:

- **Camshaft position sensor support;**
6.4±0.5 N·m (0.65±0.05 kg·m, 4.7±0.4 ft·lb)
- **Camshaft position sensor;**
6.4±0.5 N·m (0.65±0.05 kg·m, 4.7±0.4 ft·lb)