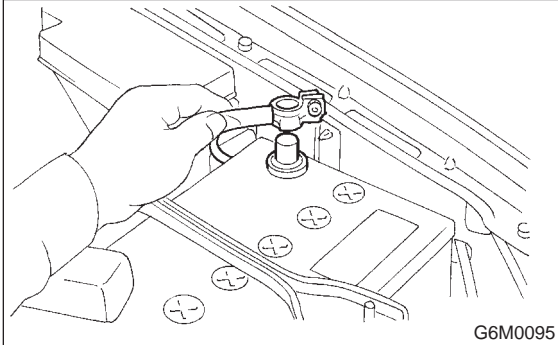


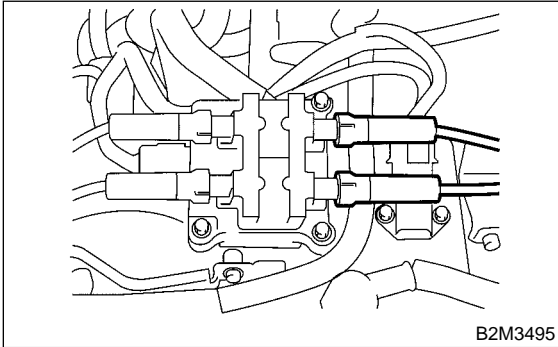
13. Intake Air Temperature and Pressure Sensor (AT vehicles)

A: REMOVAL AND INSTALLATION

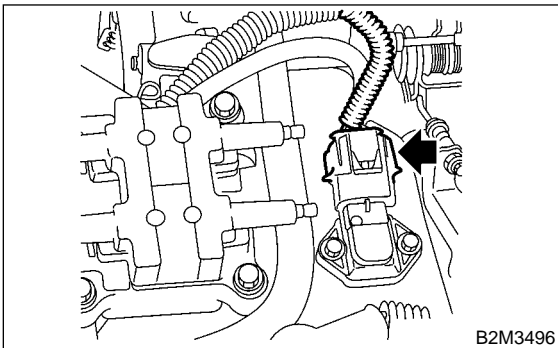
- 1) Disconnect battery ground cable.



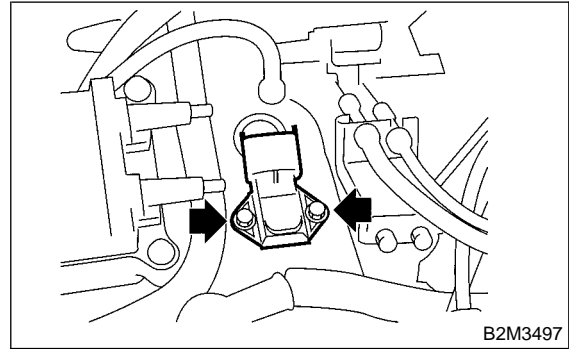
- 2) Disconnect spark plug cord from ignition coil and ignitor assembly.



- 3) Disconnect connector from intake air temperature and pressure sensor.



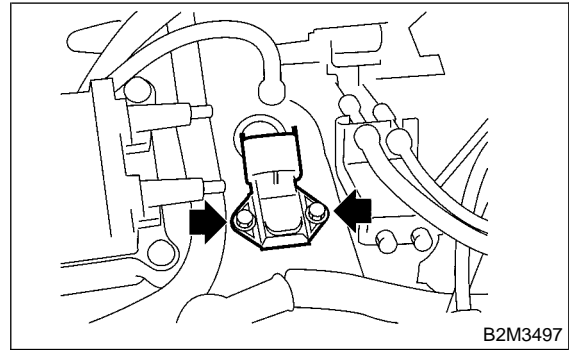
- 4) Remove intake air temperature and pressure sensor.



- 5) Installation is in the reverse order of removal.

Tightening torque:

2.0 ± 0.4 N·m (0.2 ± 0.04 kg·m, 1.4 ± 0.3 ft·lb)



CAUTION:
Replace O-ring with new one.

