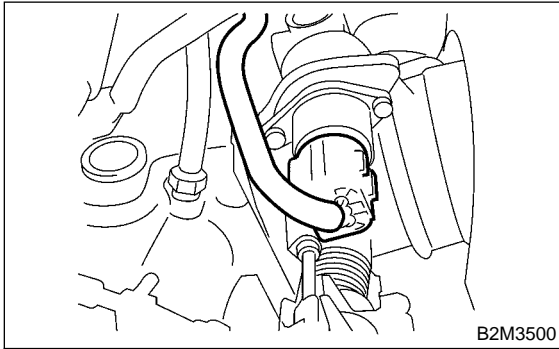
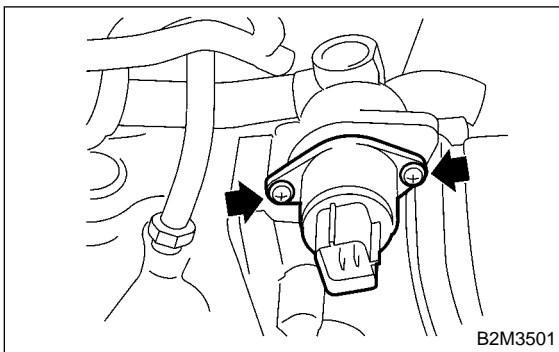


2) Disconnect connector from idle air control solenoid valve.



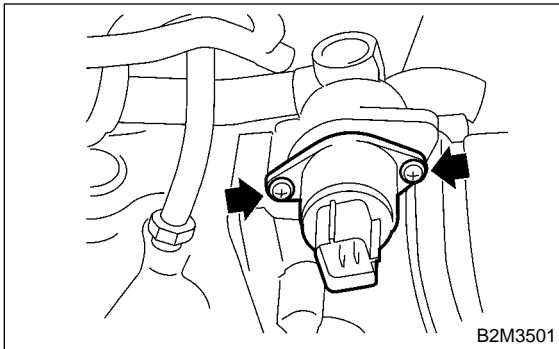
3) Remove idle air control solenoid valve from throttle body.



4) Installation is in the reverse order of removal.

CAUTION:
Always use new gasket.

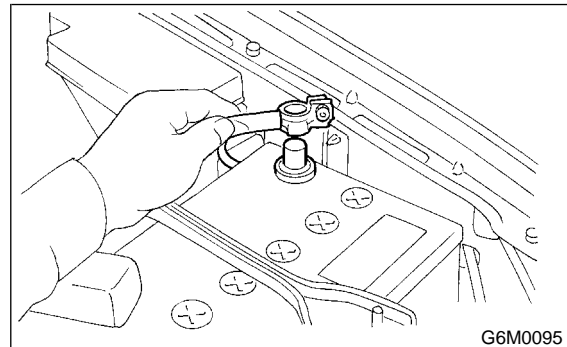
Tightening torque:
 $6.0 \pm 0.8 \text{ N}\cdot\text{m}$ ($0.61 \pm 0.08 \text{ kg}\cdot\text{m}$, $4.4 \pm 0.6 \text{ ft}\cdot\text{lb}$)



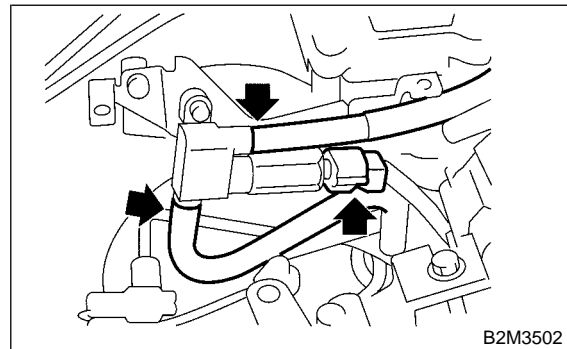
16. Air Assist Injector Solenoid Valve (AT vehicles)

A: REMOVAL AND INSTALLATION

1) Disconnect battery ground cable.



2) Disconnect connector from air assist injector solenoid valve and disconnect air by-pass hoses.



3) Remove air assist injector solenoid valve from intake manifold.

