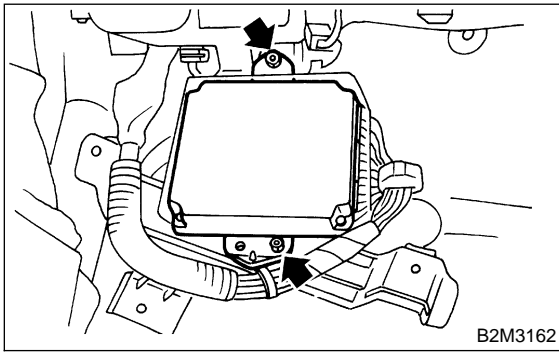
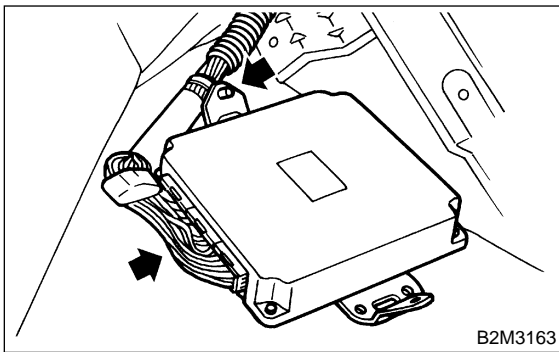


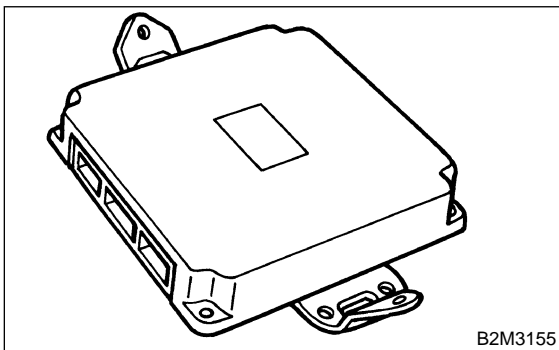
5) Remove nuts which hold ECM to bracket.



6) Remove clip from bracket.



7) Disconnect ECM connectors and take out ECM.



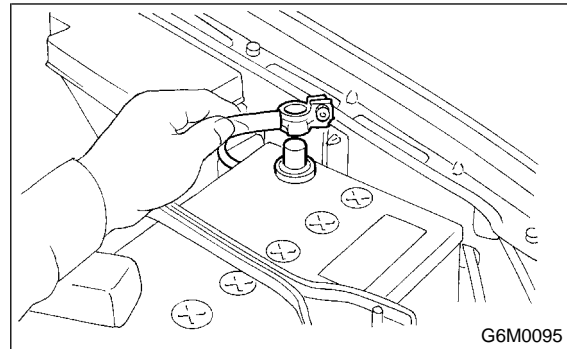
8) Installation is in the reverse order of removal.

CAUTION:
When replacing ECM, be careful not to use the wrong spec. ECM to avoid any damage to the fuel injection system.

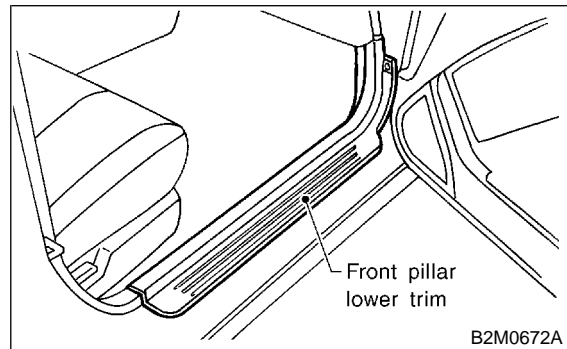
20. Main Relay

A: REMOVAL AND INSTALLATION

1) Disconnect battery ground cable.

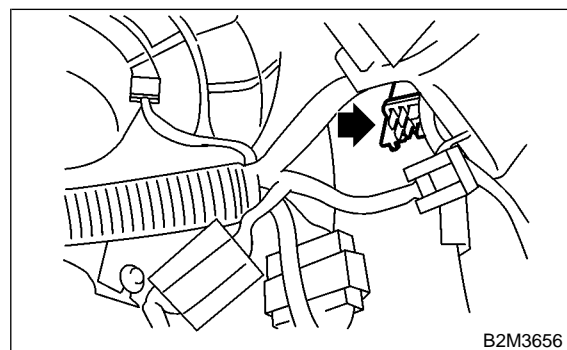


2) Remove side sill front cover of passenger side.
<Ref. to 5-3 [W5A0].>



3) Disconnect connectors from main relay.

4) Remove bolt which holds main relay bracket on body.



5) Installation is in the reverse order of removal.