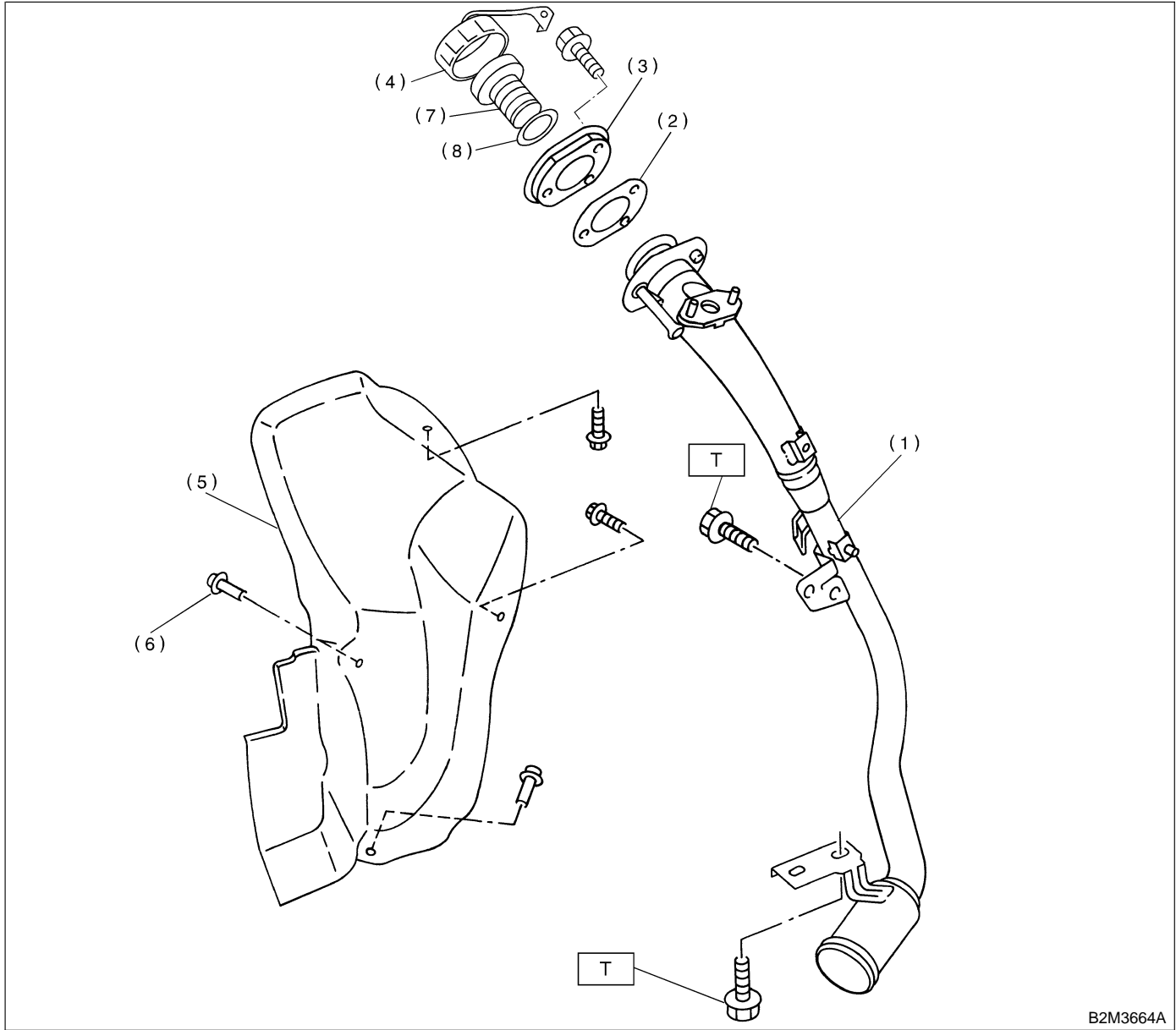


3. Fuel Filler Pipe



B2M3664A

- (1) Fuel filler pipe ASSY
- (2) Filler pipe packing
- (3) Filler ring
- (4) Filler cap
- (5) Filler pipe protector
- (6) Clip
- (7) Ring A
- (8) Ring B

**Tightening torque: N-m (kg-m, ft-lb)**

**T: 7.5±2.0 (0.75±0.2, 5.4±1.4)**