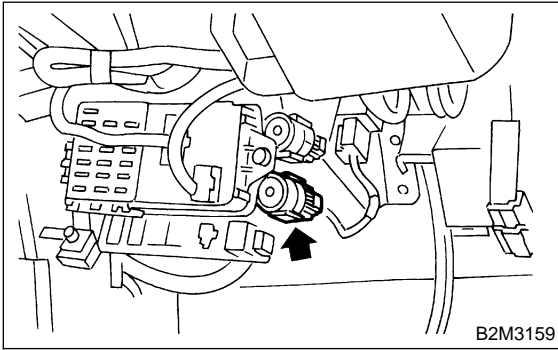


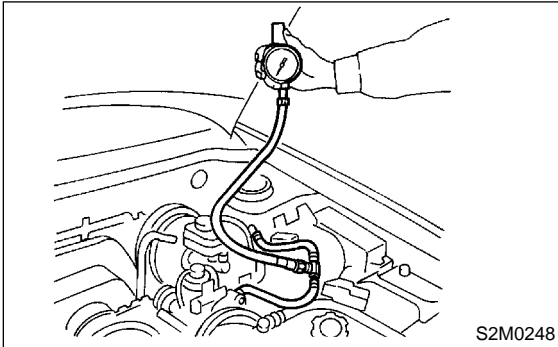
- 4) Connect connector of fuel pump relay.



- 5) Start the engine.
6) Measure fuel pressure while disconnecting pressure regulator vacuum hose from intake manifold.

Fuel pressure:

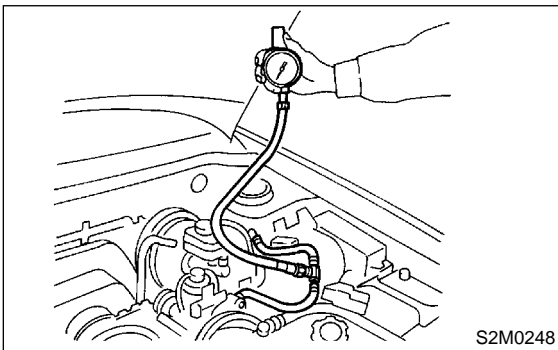
Standard; 284 — 314 kPa (2.9 — 3.2 kg/cm², 41 — 46 psi)



- 7) After connecting pressure regulator vacuum hose, measure fuel pressure.

Fuel pressure:

Standard; 206 — 235 kPa (2.1 — 2.4 kg/cm², 30 — 34 psi)



NOTE:

The fuel pressure gauge registers 10 to 20 kPa (0.1 to 0.2 kg/cm², 1 to 3 psi) higher than standard values during high-altitude operations.

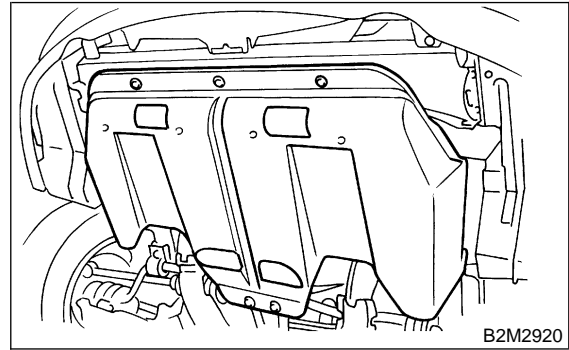
8. Valve Clearance

A: INSPECTION

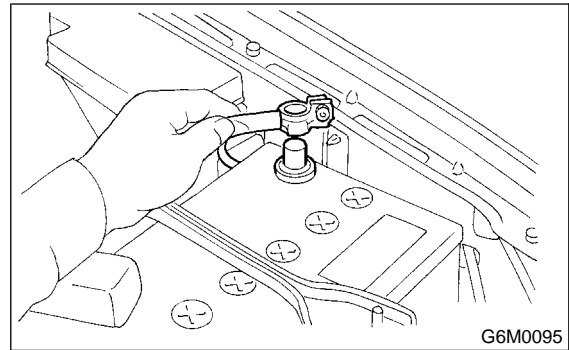
CAUTION:

Inspection and adjustment of valve clearance should be performed while engine is cold.

- 1) Set the vehicle onto the lift.
- 2) Lift-up the vehicle.
- 3) Remove under cover.



- 4) Disconnect battery ground cable.



- 5) Lower the vehicle.
- 6) Remove timing belt cover (LH).

