

7. Lifting, Towing and Tie-down Points

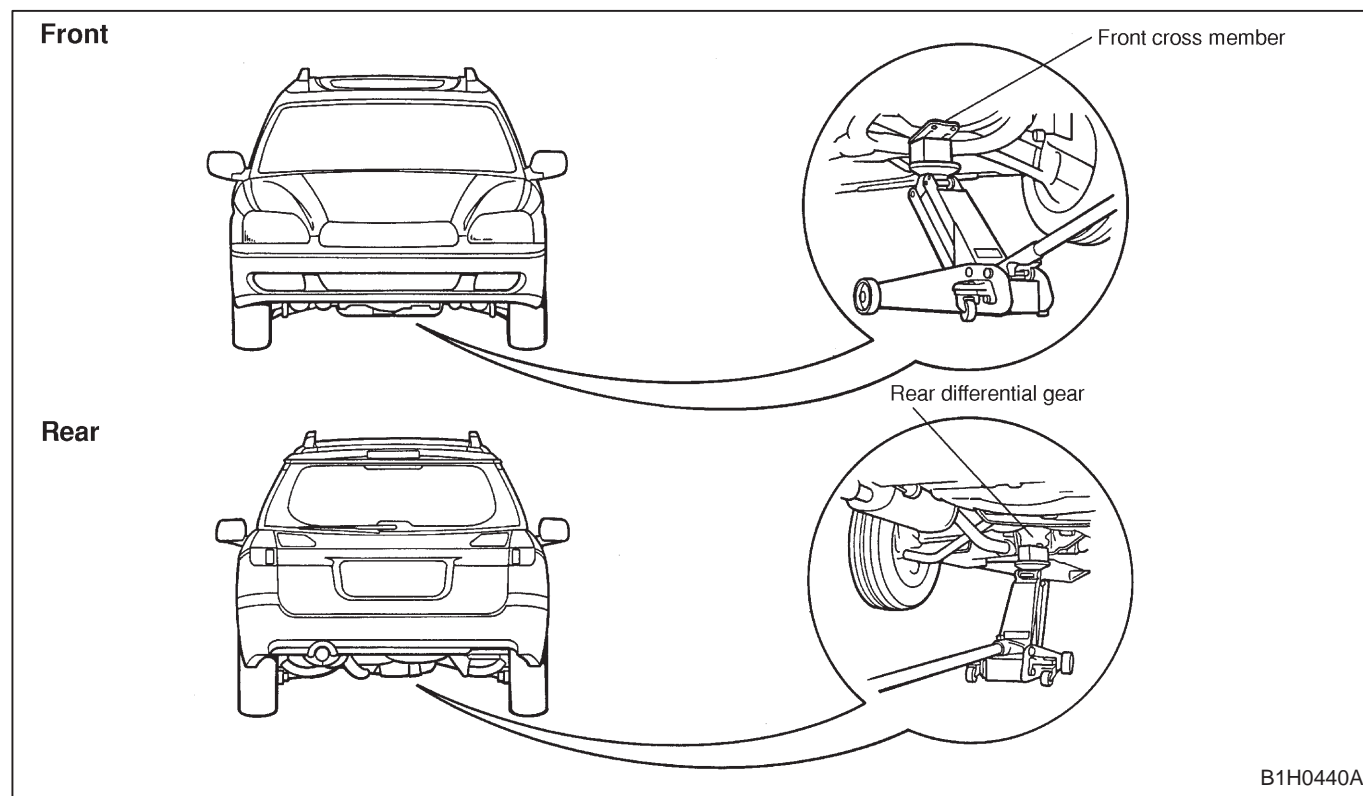
WARNING:

- Never get under the vehicle while it is supported by a jack.
- When jacking up the vehicle, place chocks to hold wheels.
- After jacking up the vehicle with garage jack, be sure to support the vehicle with stands for safety.
- Be sure to lift vehicle at the same four positions as those for pantograph jack.

CAUTION:

Be sure to lift, tow and tie-down the vehicle at the designated positions.

A: GARAGE JACK

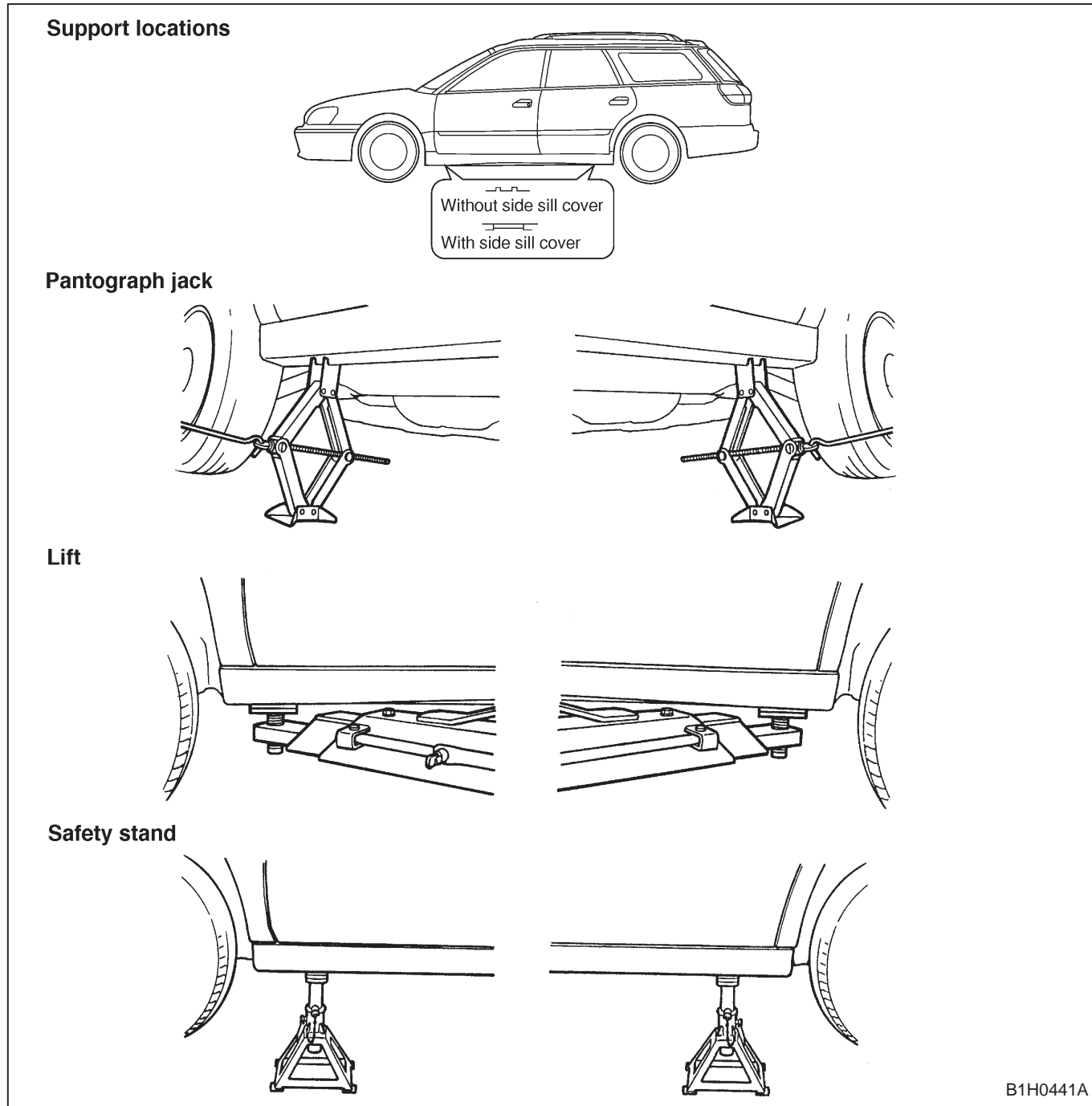


1-3 [G7B0]**GENERAL INFORMATION****7. Lifting, Towing and Tie-down Points****B: PANTOGRAPH JACK, SAFETY STAND AND LIFT****WARNING:**

- Never get under the vehicle while it is supported only by the jack. Always use safety stands to support body when you have to get under the vehicle.
- Block the wheels diagonally by wheel chocks.

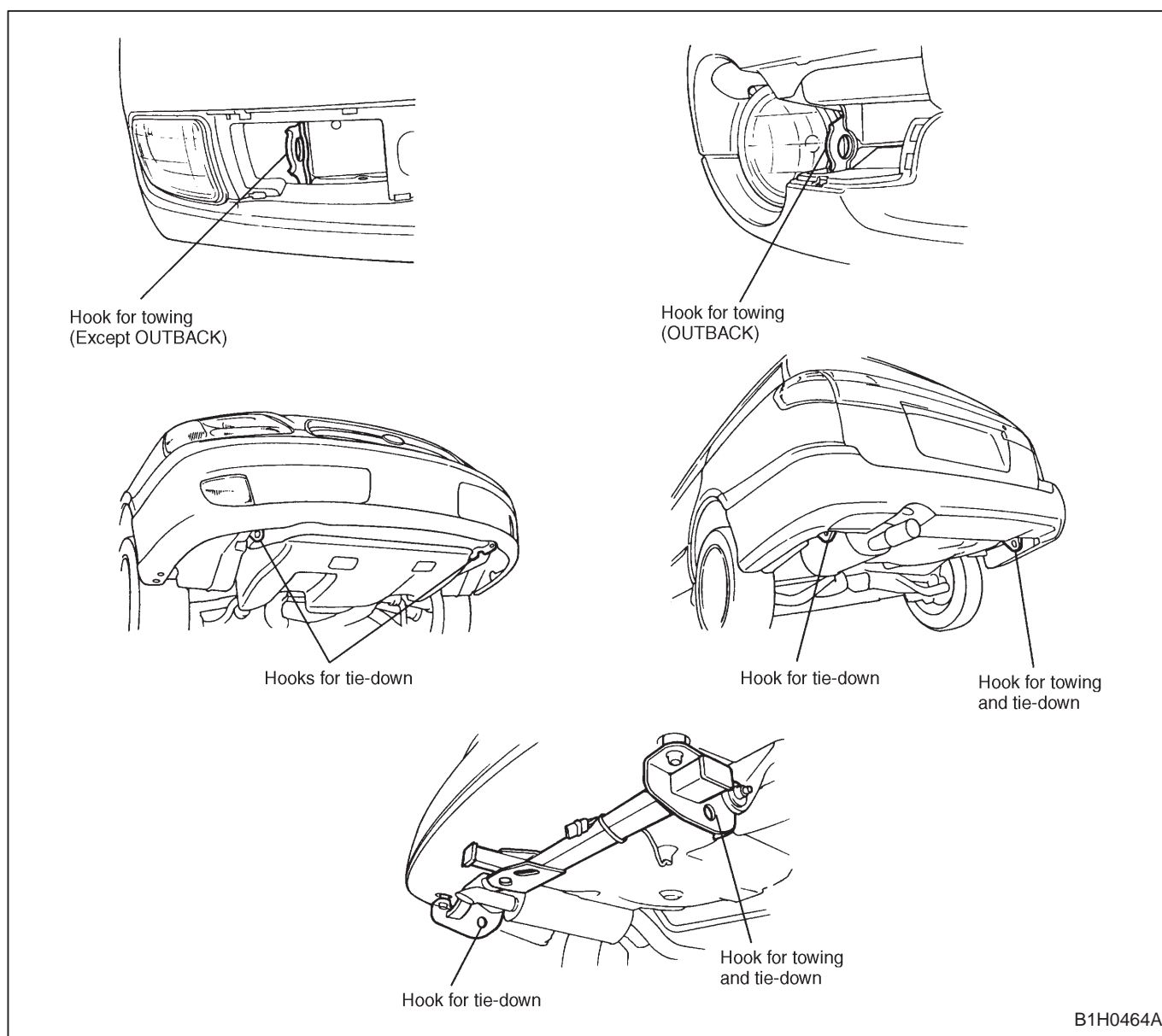
CAUTION:

- Make sure the jack is set at the correct position on the flange of side sill.
- Be careful not to set the jack at the air flap portion.



C: TOWING AND TIE-DOWN HOOKS**CAUTION:**

- Avoid towing another vehicle with front towing hooks.
- Do not tow a vehicle which is heavier than towing vehicle.
- Do not apply excessive lateral load to towing hook.
- Wrap the towing rope with cloth to prevent damaging bumper, etc.
- Keep the vehicle level during towing.
- Tie the front and rear tie-down hooks in the same direction.



1-3 [G7C0]**GENERAL INFORMATION****7. Lifting, Towing and Tie-down Points**