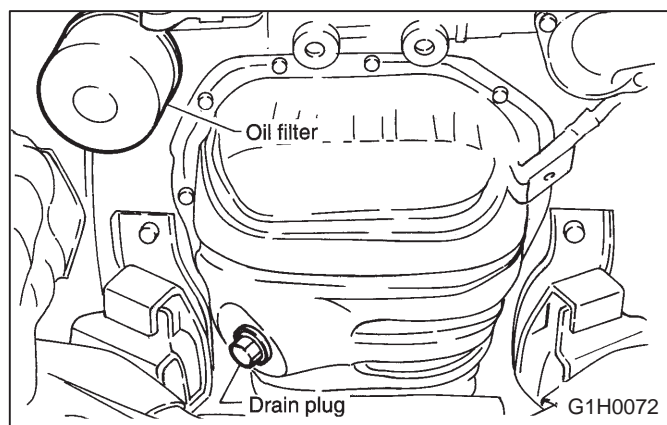


**1-5 [G4A0]****PERIODIC MAINTENANCE SERVICES****4. Engine Oil****4. Engine Oil**

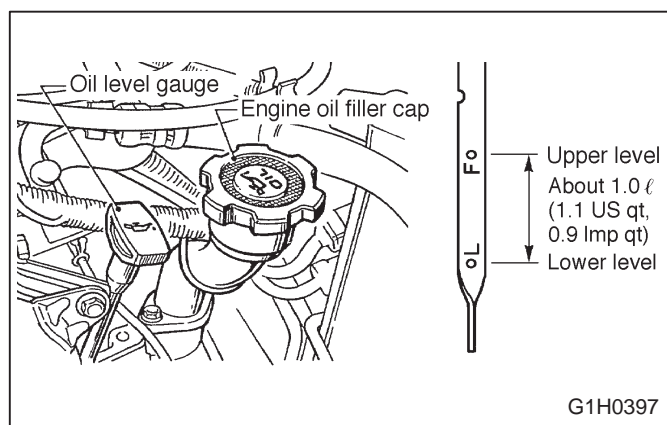
MAINTENANCE INTERVAL																	
[Number of months or km (miles), whichever occurs first]																	
Months	3	7.5	15	22.5	30	37.5	45	52.5	60	67.5	75	82.5	90	97.5	105	112.5	120
× 1,000 km	4.8	12	24	36	48	60	72	84	96	108	120	132	144	156	168	180	192
× 1,000 miles	3	7.5	15	22.5	30	37.5	45	52.5	60	67.5	75	82.5	90	97.5	105	112.5	120
	R	R	R	R	R	R	R	R	R	R	R	R	R	R	R	R	R

**A: REPLACEMENT**

1) Drain engine oil by loosening engine oil drain plug.



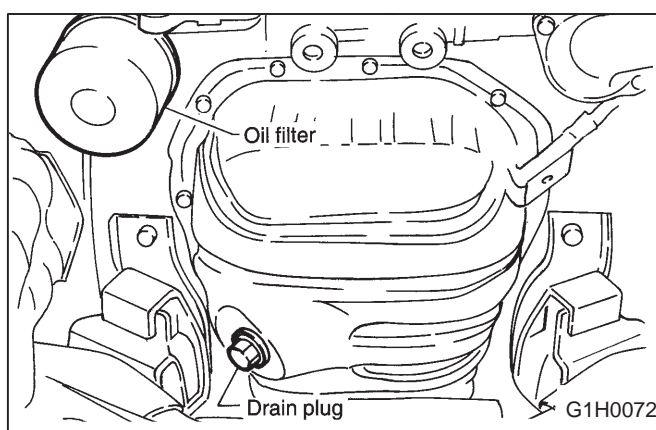
2) Open engine oil filler cap for quick draining of the engine oil.



3) Replace drain plug gasket.  
4) Tighten engine oil drain plug after draining engine oil.

**Tightening torque:**

**$44 \pm 4.8 \text{ N.m}$  ( $4.5 \pm 0.5 \text{ kg-m}$ ,  $33 \pm 3.6 \text{ ft-lb}$ )**



5) Fill engine oil through filler pipe up to upper point on level gauge. Make sure that vehicle is placed level when checking oil level. Use engine oil of proper quality and viscosity, selected in accordance with the table in figure.

**Recommended oil****API classification:**

***SJ or SH with the words "Energy Conserving or Energy Conserving II", CCMC specification G4 or G5, ACEA specification A1, A2 or A3, or New API mark displayed on the container (If it is impossible to get SJ or SH grade, you may use SG grade.)***

**Engine oil capacity:****Upper level**

**$4.0 \text{ l}$  ( $4.2 \text{ US qt}$ ,  $3.5 \text{ Imp qt}$ )**

**Lower level**

**$3.0 \text{ l}$  ( $3.2 \text{ US qt}$ ,  $2.6 \text{ Imp qt}$ )**

SAE Viscosity No. and Applicable Temperature							
(°C)	-30	-20	-15	0	15	30	40
(°F)	-22	-4	5	32	59	86	104
	10 W-30, 10W-40						
	5W-30 PREFERRED						
B1H0118							

The proper viscosity helps vehicle get good cold and hot starting by reducing viscous friction and thus increasing cranking speed.

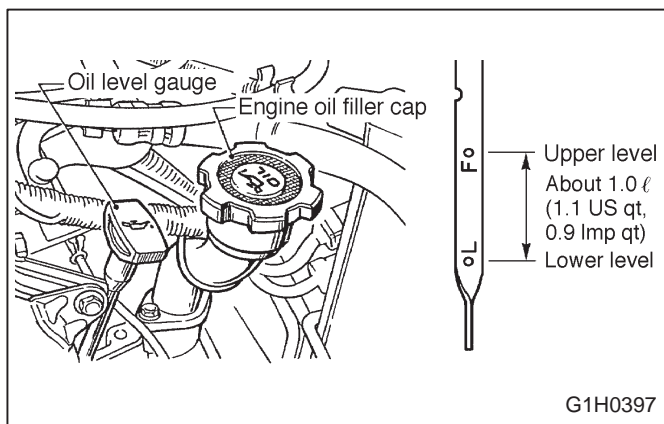
**CAUTION:**

**When replenishing oil, it does not matter if the oil to be added is a different brand from that in the engine; however, use oil having the API classification and SAE viscosity No. designated by SUBARU.**

**NOTE:**

If vehicle is used in desert areas with very high temperatures or for other heavy duty applications, the following viscosity oils may be used:  
API classification: SJ or SH  
SAE Viscosity No.: 30, 40, 10W-50, 20W-40, 20W-50

- 6) Close engine oil filler cap.
  - 7) Start engine and warm it up for a time.
  - 8) After engine stops, recheck the oil level.
- If necessary, add engine oil up to upper level on level gauge.

**B: INSPECTION**

- 1) Park vehicle on a level surface.
- 2) Remove oil level gauge and wipe it clean.
- 3) Reinsert the level gauge all the way. Be sure that the level gauge is correctly inserted and in the proper orientation.
- 4) Remove it again and note the reading. If the engine oil level is below the "L" line, add oil to bring the level up to the "F" line.
- 5) After turning off the engine, wait a few minutes for the oil to drain back into the oil pan before checking the level.
- 6) Just after driving or while the engine is warm, engine oil level may show in the range between the "F" line and the notch mark. This is caused by thermal expansion of the engine oil.
- 7) To prevent overfilling the engine oil, do not add oil above the "F" line when the engine is cold.

