

**Rear differential gear oil
Recommended oil**

ITEM								
• Rear differential gear oil								
API Classification								
GL-5								
SAE Viscosity No. and Applicable Temperature								
(°C)	-30	-26	-15	-5	0	15	25	30
(°F)	-22	-15	5	23	32	59	77	86
B1H0411A								

2) Install filler plug onto rear differential gear case firmly.

CAUTION:
Apply fluid packing to filler plug before installation.

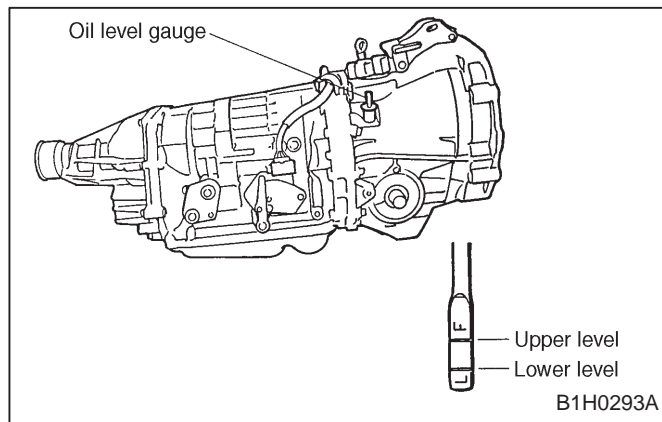
Fluid packing:
Three Bond 1105 or equivalent

Tightening torque:
 $44 \pm 4 \text{ N}\cdot\text{m}$ ($4.5 \pm 0.4 \text{ kg}\cdot\text{m}$, $33 \pm 2.9 \text{ ft}\cdot\text{lb}$)

3. CHECK THE LEVEL OF FRONT DIFFERENTIAL GEAR OIL FOR AUTOMATIC TRANSMISSION

CAUTION:
When inserting the level gauge into differential gear, align the protrusion on the side of the top part of the level gauge with the notch in the gauge hole.

NOTE:
The level should be within the specified range marked on the gauge.

**Front differential gear oil
Recommended oil**

ITEM								
• Front differential gear oil								
API Classification								
GL-5								
SAE Viscosity No. and Applicable Temperature								
(°C)	-30	-26	-15	-5	0	15	25	30
(°F)	-22	-15	5	23	32	59	77	86
B1H0412A								

Q: DRIVE BELT TENSION**CHECK POINTS**

1. Belt tension
2. Damage to belt

<Ref. to 1-5 [G2A0].>

R: CLUTCH FLUID LEVEL**CHECK POINT**

1. Clutch fluid level

CAUTION:

- Avoid mixing different brands of brake fluid to prevent degradation of the fluid.
- Be careful not to allow dirt or dust to get into the reservoir tank.
- Use FMVSS No.116, fresh DOT 3 or DOT 4 brake fluid when refilling fluid.

Check the fluid level using the scale on the outside of the clutch master cylinder tank (A). If the level is below "MIN" (B), add clutch fluid to bring it up to "MAX" (C).

