

6. Discharge the System

CAUTION:

The following points must be kept in mind when discharging the system.

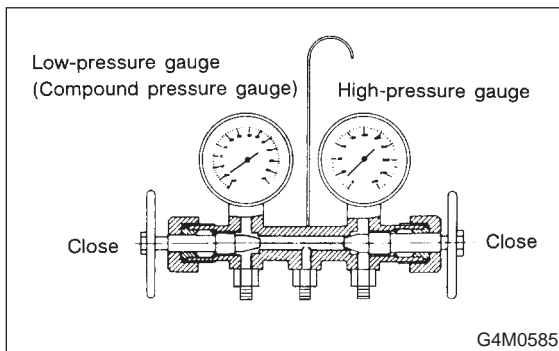
- Be certain that goggles and gloves are worn.
- Connect refrigerant recovery system to manifold gauge set and remove recycled refrigerant from the A/C system.

NOTE:

Refer to the relevant refrigerant recovery system instruction manual for operating procedures.

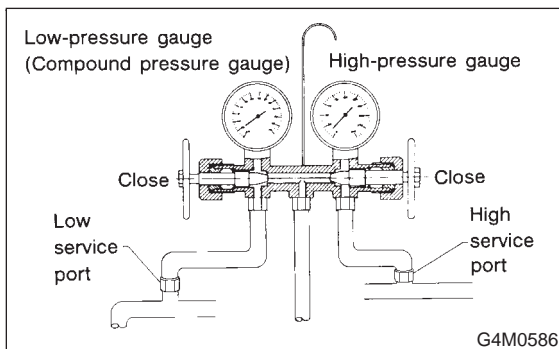
A: CONNECTING THE MANIFOLD GAUGE SET

- 1) Close the high and low side manifold valves.



- 2) Turn the A/C system ON and turn the IG switch OFF.

- 3) Attach the high- and low-pressure manifolds to the high and low service ports on the vehicle.



B: PREPARE FOR DISCHARGING

Connect center manifold hose to refrigerant recovery system to recycle refrigerant.

7. Evacuating and Charging

The following points should be kept in mind when evacuating and charging with a manifold gauge set:

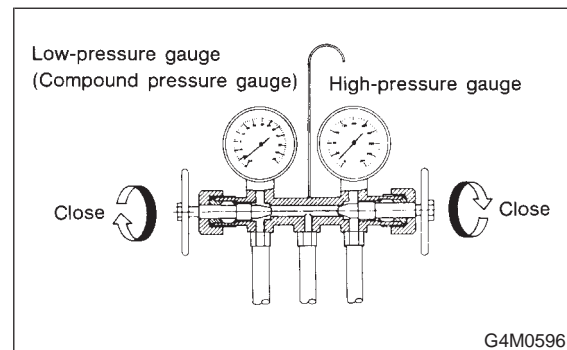
- 1) Be certain that goggles and gloves are worn.
- 2) If bulk refrigerant [13.6 kg (30 lb) canister] is used, be certain to weigh the charge amount carefully, using the correct equipment, to avoid overcharging the system.
- 3) The charging procedure described in this section begins by charging liquid refrigerant into the high-pressure side of the system with the engine off. The procedure is completed by charging refrigerant vapor into the low-pressure side of the system with the engine running.

CAUTION:

Never open the high-pressure manifold valve when the engine is running.

A: CONNECT THE GAUGE SET

- 1) Close the high- and low-pressure manifold valves.



- 2) Attach the low-pressure manifold hose to the low-pressure service port on the vehicle. Check the low-pressure gauge. If more than 68.6 kPa (0.70 kg/cm², 10 psi) is indicated, discharge the system prior to charging.

- 3) Attach the high-pressure manifold hose to the high-pressure service port on the vehicle.

- 4) Connect the center hose from the manifold to the vacuum pump.

- 5) Turn on the vacuum pump.