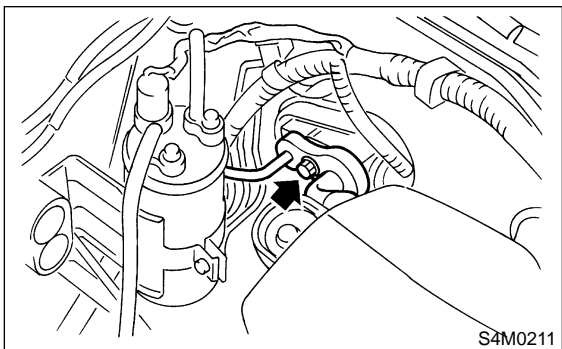


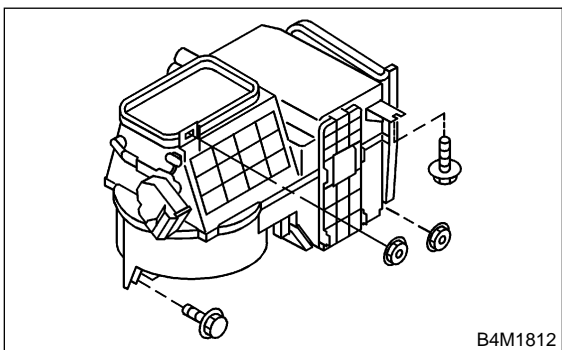
14. Intake Unit with Evaporator

A: REMOVAL AND INSTALLATION

- 1) Disconnect battery negative terminal.
- 2) Discharge refrigerant using refrigerant recovery system. <Ref. to 4-7 [W600].>
- 3) Remove bolt then disconnect discharge pipe and suction pipe.



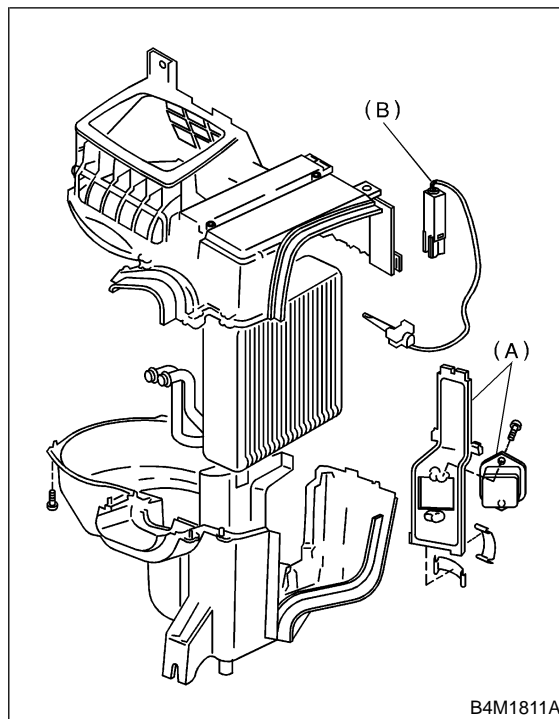
- 4) Remove glove box. <Ref. to 5-4 [W1A0].>
- 5) Disconnect the harness connector from intake unit.
- 6) Disconnect drain hose.
- 7) Remove intake unit mounting bolt and nut.



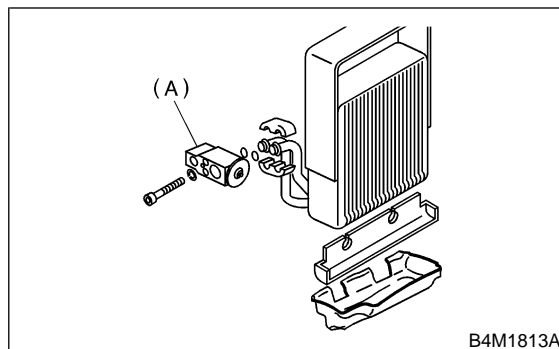
- 8) Install the intake unit in the reverse order of removal.
- 9) Charge refrigerant. <Ref. to 4-7 [W700].>

B: DISASSEMBLY AND ASSEMBLY

- 1) Remove resistor assembly (A) and remove thermo control amplifier (B) from intake unit case.
- 2) Remove some screws and clips then separate intake unit case.



- 3) Remove the block expansion valve (A) from evaporator.



- 4) Check to see if the evaporator fins are clogged. If they are, clean them with compressed air.

CAUTION:
Water must never be used to clean the evaporator.

- 5) Check parts that have been removed for cracks or scratches, and repair or replace them with new ones, if necessary.
- 6) Reassemble the intake unit in the reverse order of disassembly.

NOTE:
Confirm that the O-ring is inserted in the specified position.