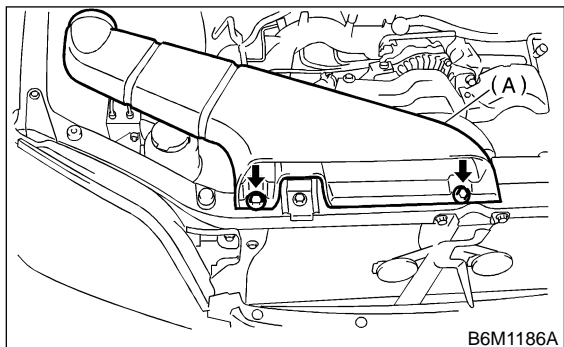


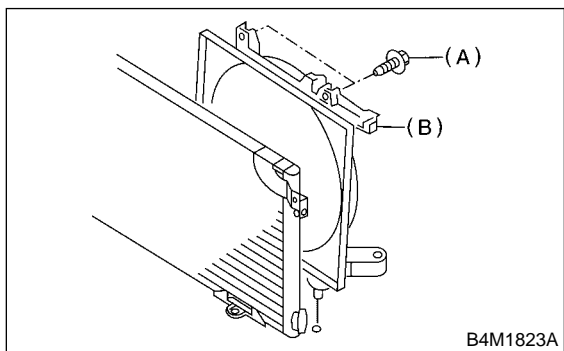
## 15. Condenser Fan Assembly

### A: REMOVAL AND INSTALLATION

- 1) Disconnect battery negative terminal.
- 2) Remove duct (A).



- 3) Disconnect harness connector from fan motor.
- 4) Remove condenser fan bolt (A) from radiator.
- 5) Pull condenser fan assembly (B).



- 6) Install the condenser fan assembly in the reverse order of removal.

## 16. Flexible Hose

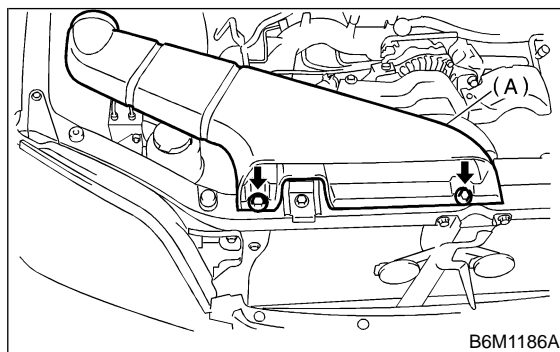
### A: REMOVAL AND INSTALLATION

#### CAUTION:

With the following cautions, replace flexible hoses with new ones if they are damaged or swollen.

- The flexible hoses should be free from twists and tension after they have been connected.
- The flexible hoses must not be bent or twisted forcibly.

- 1) Disconnect battery negative terminal.
- 2) Remove duct (A).



- 3) Discharge refrigerant using refrigerant recovery system. <Ref. to 4-7 [W600].>
- 4) Remove low-pressure hose (A):

#### CAUTION:

**Plug the opening to prevent foreign matter from getting in.**

- (1) Remove hose attaching bolts (C).
- (2) Remove hose clip.
- (3) Remove the hose assembly from evaporator unit.
- (4) Disconnect the low-pressure hose from the hose assembly.