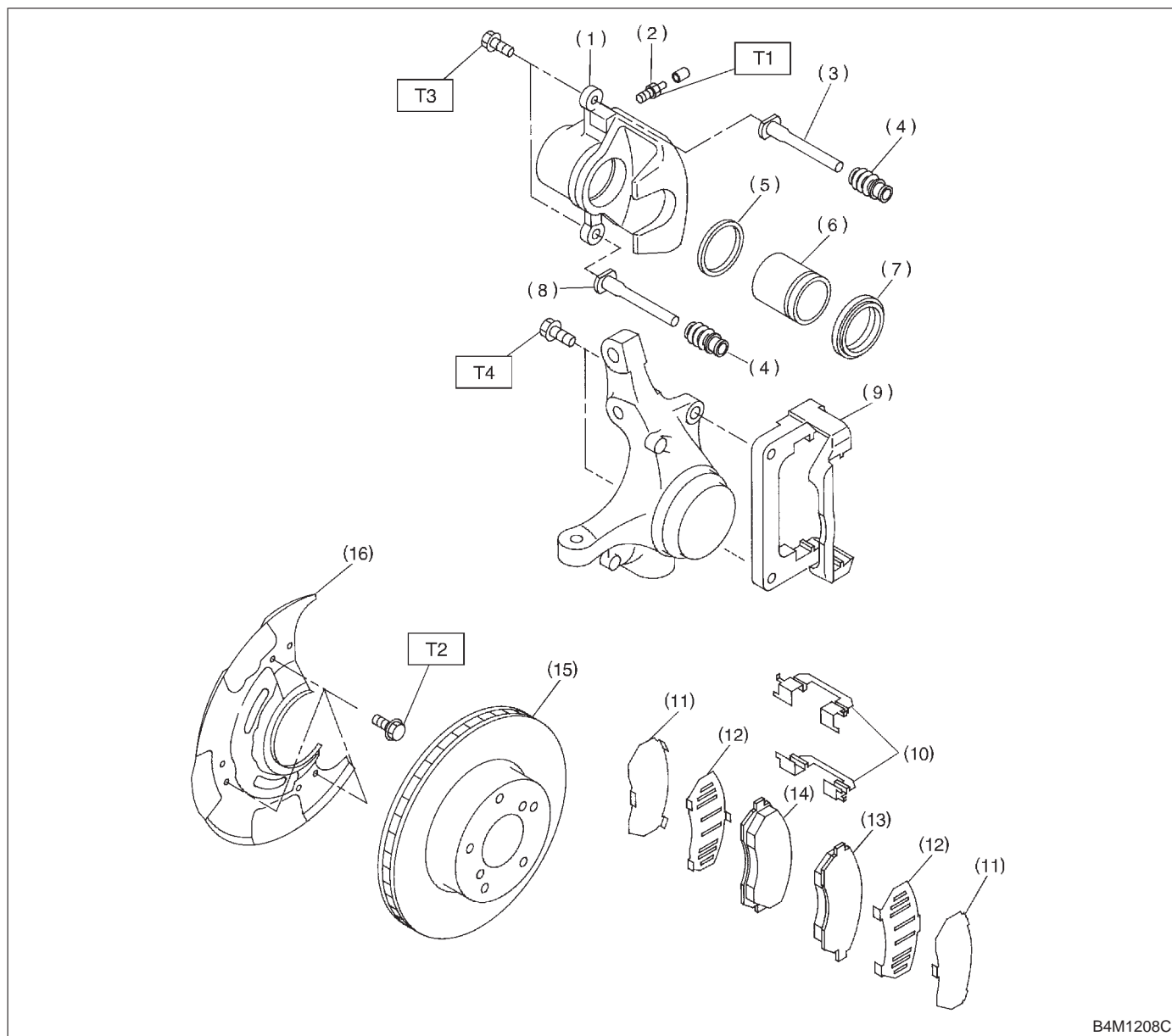


1. Front Disc Brake

A: 14 inch TYPE



B4M1208C

- (1) Caliper body
- (2) Air bleeder screw
- (3) Guide pin (Green)
- (4) Pin boot
- (5) Piston seal
- (6) Piston
- (7) Piston boot
- (8) Lock pin (Yellow)

- (9) Support
- (10) Pad clip
- (11) Outer shim
- (12) Inner shim
- (13) Pad (Outside)
- (14) Pad (Inside)
- (15) Disc rotor
- (16) Disc cover

**Tightening torque: N·m (kg·m, ft·lb)**

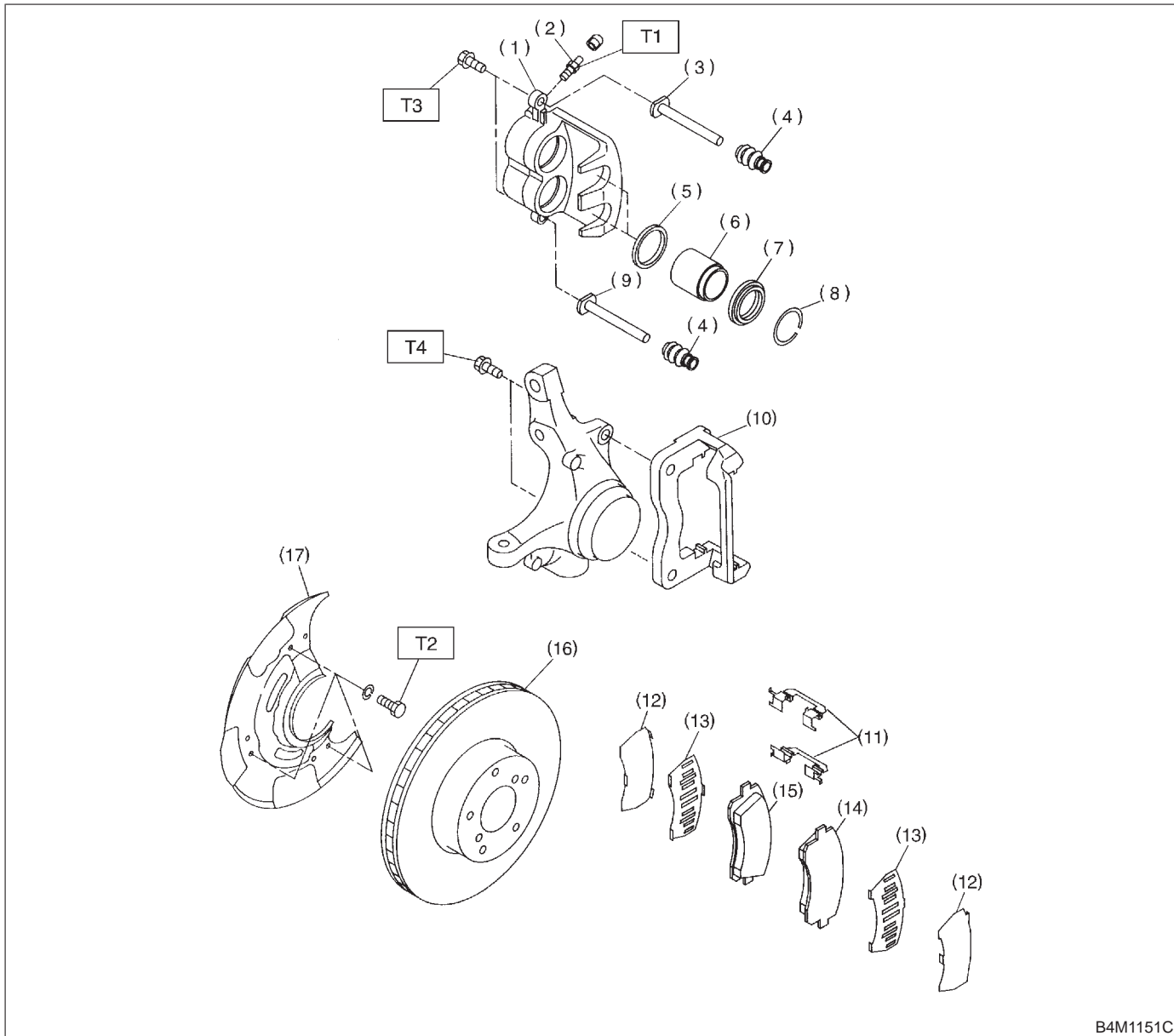
**T1: 8±1 (0.8±0.1, 5.8±0.7)**

**T2: 18±5 (1.8±0.5, 13.0±3.6)**

**T3: 37±5 (3.8±0.5, 27.5±3.6)**

**T4: 78±10 (8.0±1.0, 58±7)**

B: 15 inch TYPE



B4M1151C

- (1) Caliper body
- (2) Air bleeder screw
- (3) Guide pin (Green)
- (4) Pin boot
- (5) Piston seal
- (6) Piston
- (7) Piston boot
- (8) Boot ring

- (9) Lock pin (Yellow)
- (10) Support
- (11) Pad clip
- (12) Outer shim
- (13) Inner shim
- (14) Pad (Outside)
- (15) Pad (Inside)
- (16) Disc rotor

- (17) Disc cover

**Tightening torque: N-m (kg-m, ft-lb)**

**T1: 8±1 (0.8±0.1, 5.8±0.7)**

**T2: 18±5 (1.8±0.5, 13.0±3.6)**

**T3: 39±5 (4.0±0.5, 28.9±3.6)**

**T4: 78±10 (8.0±1.0, 58±7)**